



HOSHIZAKI

DCM-60KE-HC

Dispenser, Ice & Water

Production Capacity (kg/24h) - AT 10°C, WT 10°C: 60

Storage bin capacity: 1.9 kg



ICE TYPE: Cubelet + Water

ACCESSORIES INCLUDED

Brush, Installation kit

OPTIONAL EXTRAS

N/A

CORRESPONDING WATER FILTERS

4HC-H Single Water Filter, 4HC Replacement Cartridge

ITEM NUMBER: L030

COUNTRY OF ORIGIN: UK

Hoshizaki DCM-60KE-HC is an ice/water dispenser producing up to 60 kg of cubelet ice per 24 hours. It can produce the following combinations: cubelet ice, cubelet ice and water or dispense only water.

- Ice dispensing system includes lever and LED operation buttons
- Portion control by dispense switch
- Ideal for self-serving environment
- The lever design prevents touching the lip of a glass, minimising risk of bacterial transfer
- Ice making water control by float switch and water valve
- Also available with push button as alternative to lever design

WARRANTY PERIOD

2 Years on Parts & Labour - based on country agreement

EXTERIOR

Stainless steel (Side, Rear), ABS molding (Front, Top, Drain pan)

Refrigerant type: R290 / Refrigerant: 0.085 kg / CO2 equivalent: 0.255 kg

OPERATING CONDITIONS

Ambient temperature (minimum): 5 °C, Ambient temperature (maximum): 40 °C, Water supply pressure (minimum): 0.05MPa (0.5bar), Water supply pressure (maximum): 0.78MPa (7.8bar), Water supply temperature (minimum): 5 °C, Water supply temperature (maximum): 35 °C, Voltage range (Rated Voltage): ±6%

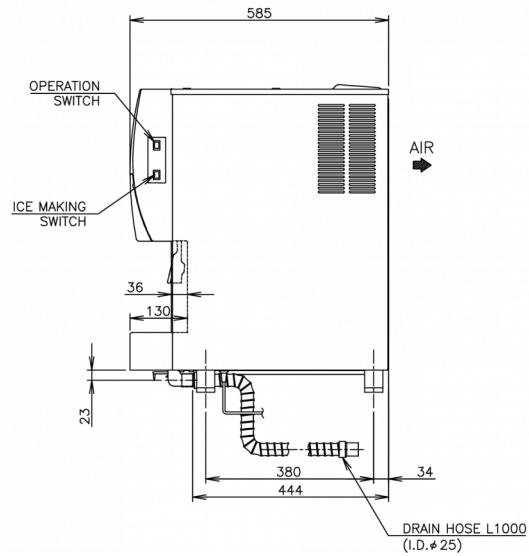
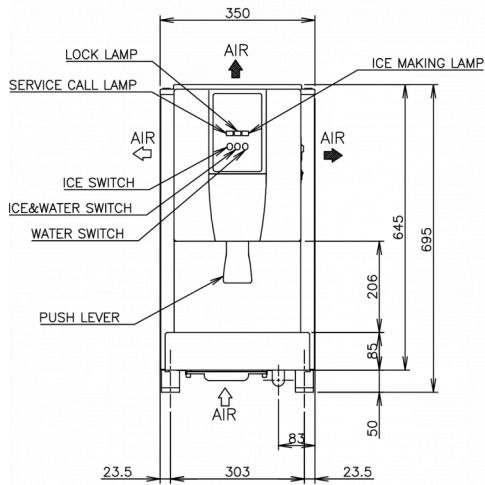
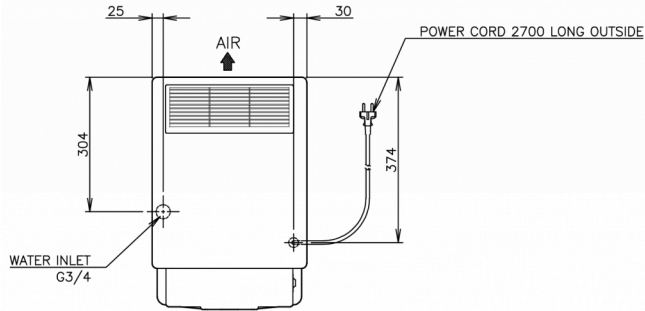
CERTIFICATIONS





HOSHIZAKI

DCM-60KE-HC



TECHNICAL SPECIFICATIONS

Cooling system	Power supply	Electric Consumption	Electrical circuit breaker protection	Heat Rejection (AT 32°C, WT 21°C)	Production Capacity (kg/24h) - AT 10°C, WT 10°C	Production Capacity (kg/24h) - AT 21°C, WT 15°C	Production Capacity (kg/24h) - AT 32°C, WT 21°C	Water consumption (m3/24h) - AT 10°C, WT 10°C
Air Cooled	1/220 - 240V/50Hz	0.265 kW	10 A	0.5 kW	60	50	38	0.06

SHIPPING SPECIFICATIONS

Width (packed)	Depth (packed)	Height (packed)	Volume (packed)	Gross weight	Width	Depth	Height	Height including legs (minimum)	Height including legs (maximum)	Net weight
440 mm	655 mm	906 mm	0.261 m3	55 kg	350 mm	585 mm	645 mm	695 mm	710 mm	46 kg

Disclaimer: Every effort has been made to ensure that the information contained in this spec sheet is accurate at the time of publishing. Hoshizaki Europe BV assumes no responsibility or liability for typographical errors or omissions or for any misinterpretation of the information within the publication and reserves the right to change without notice.

Please observe: Also available with push button as alternative to lever design (DCM-60KE-P-HC)



Hoshizaki Belgium
Hoshizaki Danmark
Hoshizaki Deutschland
Hoshizaki France
Hoshizaki Iberia
Hoshizaki Italia
Hoshizaki Middle East

info@hoshizaki.nl
info@hoshizaki.dk
vertrieb@hoshizaki.de
info@hoshizaki.fr
info@hoshizaki.es
commerciale@hoshizaki.it
sales.ex@hoshizaki-europe.com

Hoshizaki Netherlands info@hoshizaki.nl
Hoshizaki Norge salg@hoshizaki.no
Hoshizaki Sverige orderSE@hoshizaki.dk
Hoshizaki UK uksales@hoshizaki.uk
Export countries sales.ex@hoshizaki-europe.com
Other countries sales.ex@hoshizaki-europe.com

www.hoshizaki-europe.com