



# HOSHIZAKI

## ADVANCE ACR-130DG-LR-RRC-L1

### 2-Section Refrigerated Counter



PRODUCT SERIES: ADVANCE 130  
ITEM NUMBER: 889000840  
COUNTRY OF ORIGIN: TURKEY

Hoshizaki Advance ACR-130DG-LR-RRC-L1 is a 2-section 1/1 GN refrigerated counter with two doors and a flat worktop. It has a net usable volume of 171 ltr. The height excluding legs is 700 mm, legs = H 130/180 mm (L1). Shelf width is 325 mm.

- Fan assisted cooling
- Automatic defrost with re-evaporation of defrost water
- Heavy duty cabinet and compressor compartment construction
- Climate class 5 cooling system enduring up to +40°C ambient temperature
- Exterior and interior of stainless steel
- Compartmentalized cooling unit that is available as one unit
- A compact slide out refrigeration unit for maintenance and service
- Removable condenser filter for cleaning or replacement
- Reversible doors
- Anti-tilt shelves
- Removable magnetic door gaskets with triple insulation area
- Pan-shaped inside base with rounded corners to catch fluids
- IP 21 water protection
- Matching design identity as the Advance cabinets



1 / 1 GN

#### ACCESSORIES INCLUDED

2 grey shelves per section

#### OPTIONAL EXTRAS

- Set of legs for 835-900 mm Counter-top (L2)
- Set of 4 Castors for 850 mm Counter-top (C1)
- Set of 4 Castors for 900 mm Counter-top (C2)
- Castor Extension Kit (extends height of castors by 50mm)
- Flat worktop with 100 mm splashback
- Drawer section with 2 x 1/2 drawers
- Drawer section with 3 x 1/3 drawers \*
- Shelf support - Left
- Shelf support - Right
- Stainless shelf
- Grey shelf

\*3 drawer section is not available next to the compressor housing

**WARRANTY PERIOD**  
**5 Years on Parts & Labour - based on country agreement**

**EXTERIOR**  
**Stainless Steel**

**INTERIOR**  
**Stainless steel**

Refrigerant type: R290 / Refrigerant: 0.055 kg / CO2 equivalent: 0.165 kg

#### CERTIFICATIONS



Energy consumption	Energy efficiency class	Energy efficiency class standard	Energy Efficiency Index (EEI)
721 kWh/year	B	ISO 22041: 2019	32.39 EEI



# HOSHIZAKI

## ADVANCE ACR-130DG-LR-RRC-L1

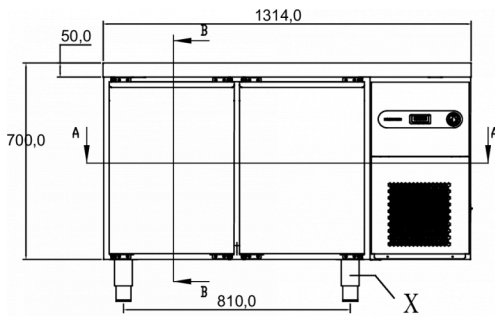
### TECHNICAL SPECIFICATIONS

Temperature range	Shelf size	Volume, gross	Net usable volume	Volume, net	Power supply	Connection load	Climate class	Sound level	Ref. capacity (at -10°C)
-2/+8°C	1/1 GN	301 l	171 l	171 l	230V, 50Hz	180 W	5 (max. ambient 40°C w/ 40% RH)	51 dB(A)	367 W

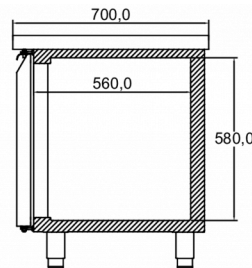
### SHIPPING SPECIFICATIONS

Width (packed)	Depth (packed)	Height (packed)	Volume (packed)	Gross weight	Width	Depth	Height	Net weight
1,364 mm	760 mm	1,050 mm	1.07 m3	122 kg	1,314 mm	700 mm	700 mm	95 kg

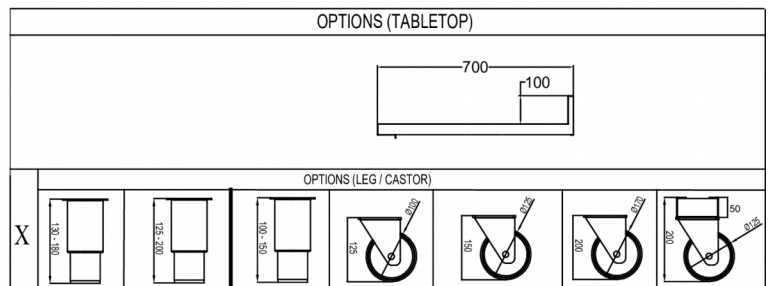
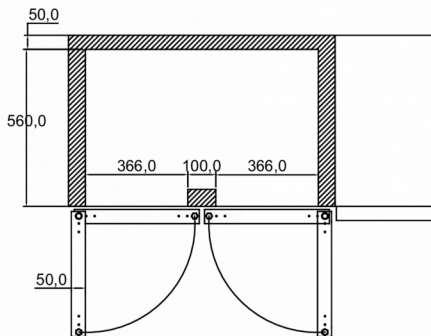
Disclaimer: Every effort has been made to ensure that the information contained in this spec sheet is accurate at the time of publishing. Hoshizaki Europe BV assumes no responsibility or liability for typographical errors or omissions or for any misinterpretation of the information within the publication and reserves the right to change without notice.



SECTION A-A



SECTION B-B



Hoshizaki Belgium  
Hoshizaki Danmark  
Hoshizaki Deutschland  
Hoshizaki France  
Hoshizaki Iberia  
Hoshizaki Italia  
Hoshizaki Middle East

[info@hoshizaki.nl](mailto:info@hoshizaki.nl)  
[info@hoshizaki.dk](mailto:info@hoshizaki.dk)  
[vertrieb@hoshizaki.de](mailto:vertrieb@hoshizaki.de)  
[info@hoshizaki.fr](mailto:info@hoshizaki.fr)  
[info@hoshizaki.es](mailto:info@hoshizaki.es)  
[commerciale@hoshizaki.it](mailto:commerciale@hoshizaki.it)  
[sales.ex@hoshizaki-europe.com](mailto:sales.ex@hoshizaki-europe.com)

Hoshizaki Netherlands [info@hoshizaki.nl](mailto:info@hoshizaki.nl)  
Hoshizaki Norge [salg@hoshizaki.no](mailto:salg@hoshizaki.no)  
Hoshizaki Sverige [orderSE@hoshizaki.dk](mailto:orderSE@hoshizaki.dk)  
Hoshizaki UK [uksales@hoshizaki.uk](mailto:uksales@hoshizaki.uk)  
Export countries [sales.ex@hoshizaki-europe.com](mailto:sales.ex@hoshizaki-europe.com)  
Other countries [sales.ex@hoshizaki-europe.com](mailto:sales.ex@hoshizaki-europe.com)

[www.hoshizaki-europe.com](http://www.hoshizaki-europe.com)