

HOSHIZAKI

Advance 70-140



REFRIGERATORS AND FREEZERS

OPERATION, MAINTENANCE AND INSTALLATION MANUAL



EN: OPERATION, MAINTENANCE AND INSTALLATION MANUAL	PAGES
FR: MANUEL D'UTILISATION, D'ENTRETIEN ET D'INSTALLATION	1-21
DE: BEDIENUNG-, WARTUNGS- UND MONTAGEANLEITUNG	22-42
ES: MANUAL DE OPERACIÓN, MANTENIMIENTO E INSTALACIÓN	43-63
NL: EXPLOITATIE- ONDERHOUD- EN INSTALLATIEHANDLEIDING	64-84
DA: BETJENINGS-, VEDLIGEHOJDELSES- OG INSTALLATIONS	85-105
IT: MANUALE D'USO, DI MANUTENZIONE E DI INSTALLAZIONE	106-126
SV: HANDBOK FÖR ANVÄNDNING, UNDERHÅLL OCH INSTALLATION	127-147
NO: DRIFTS-, VEDLIKEHOLDS- OG INSTALLASJONSHÅNDBOK	148-168
	169-189

I. GENERAL INFORMATION	2
II. OPERATING INSTRUCTIONS	5
III. MAINTENANCE INSTRUCTIONS	11
IV. TECHNICAL INFORMATION	13
V. SERVICE DIAGNOSIS	18
VI. REMOVAL AND REPLACEMENT	19

Contact Details:

HOSHIZAKI EUROPE

B.V.

Address: Burgemeester Stramanweg 101 1101 AA Amsterdam, The Netherlands

Tel: +31 (0)20 691 8499

<http://hoshizaki-europe.com/>



HOSHIZAKI


Advance 70-140



I. GENERAL INFORMATION

PRODUCT DESCRIPTION LABEL

1 Product Number
2 Product Description
3 Model
4 Refrigerant (GWP)
5 CO2 Equivalent
6 IP Protection
7 Climate Class
8 Production Date
9 Total power / Current / Lamp power
10 Voltage - Frequency
11 Heating Element
12 System Pressure
13 Blowing Agent
14 Serial Number

PRODUCT NUMBER	1
	
PRODUCT DESCRIPTION	2
MODEL	3
REFRIGERANT	4
CO2 EQUIVALENT	5
IP PROTECTION	6
CLIMATE CLASS	7
PRODUCTION DATE	8
TOTAL POWER / CURRENT / LAMP POWER	9
VOLTAGE - FREQUENCY	10
HEATING ELEMENT	11
SYSTEM PRESSURE	12
BLOWING AGENT	13

S/N: 14 

HOSHIZAKI EUROPE B.V. Burgemeester Stramanweg 101 1101 AA
Amsterdam, The Netherlands

THE PURPOSE OF USAGE

- This product is suitable for use in indoor areas only and solely for the purpose of storing food and beverages. Storage units designed to maintain product already at refrigerator/freezer temperature.
- The manufacturer will not be held responsible for any damages arising as a result of usage contrary to stated guideline in this book.
- While storing food in this cabinet, it is necessary to ensure that food never comes in contact with the body of this cabinet.
- All foods must be completely covered. To avoid contamination and corrosion of internal components all product should be wrapped or stored in sealed containers.
- Do not store hot foods or liquids in this cabinet.
- Beverages stored in boxes and glass bottles should not be stored at temperatures below 0°C (freezing point). Cans and glass bottles may burst due to expansion. All containers with lids should not be filled completely: a small amount of space should be left for expansion.
- This cabinet is equipped with an automatic self-defrosting facility. It is also possible to perform manual defrosting. The manual defrosting does not involve turning the cabinet off for long periods but can be performed via the controller. Under no circumstances should force or hand tools to be used to de-ice this cabinet, any damage arising from such action is difficult to repair.
- Do not employ any mechanical or alternative means of defrosting.
- The appliance is not to be used by persons (including children) with reduced physical, sensory or mental capabilities, or lack of experience and knowledge, unless they have been given supervision or instruction.
- Children being supervised not to play with the appliance.
- Cleaning and user maintenance shall not be made by children without supervision.

HOSHIZAKI

Advance 70-140



- This appliance can be used by children aged from 8 years and above and persons with reduced physical, sensory or mental capabilities or lack of experience and knowledge if they have been given supervision or instruction concerning use of the appliance in a safe way and understand the hazards involved.
- Any electrical or mechanical changes to this cabinet will void the warranty. Changes carried out by non-authorized service engineers and changes other than those described in this manual will also void the warranty. The manufacturer will not accept any responsibility for damages arising from such changes.

CLIMATE CLASS

The cabinet is designed to run within specific ambient temperature and humidity levels. These are set out in the climate class system. These levels are never to be exceeded. The climate class for this product can be found on the product description label. The refrigerator is not suitable for use in temperatures below 16 °C ambient temperature.

Climate Class	Ambient Temperatures and Humidity
4	+30°C with %55 RH
5	+40°C with %40 RH

FIRST ACCEPTANCE AND CONTROLS

This cabinet was packed in protective packaging material for shipping. On delivery, please check the cabinet for any possible transport damage and that the cabinet model is what you ordered.

IMPORTANT

All operations listed below must fully comply with all local bylaws and safety regulations. Observe all current safety rules when operating this product.

TRANSPORTING

When lifting the product using machinery, the lifting capacity of any machinery must be verified prior to undertaking any such procedures.

IMPORTANT

When using a fork truck to move the product, please ensure that the forks are inserted into the appropriate openings in the pallet.

Once moving, attention must be paid to the stability of the product. If the center of gravity is not central to the product, which will make it prone to tip over. When lowering the product with a fork truck ensure this is done slowly and with care.

Should it become necessary to transport any upright cabinets in a horizontal position, please make sure the cabinet has been upright for at least 2 hours before operating. It is not recommended to transport upright cabinets in the horizontal position and any damage arising from such action is not covered by warranty.

ATTENTION

Recommendations written on the outside of the transport packaging are for the user's benefit. Therefore, the following recommendations should be observed:

HOSHIZAKI

Advance 70-140



- Carry the product carefully.
- Keep the product dry.
- Do not use the top of the cabinet for storage.

OPENING THE PACKAGING

- Remove the cardboard and any other packaging material.
- Lift the cabinet to disconnect and remove it from the pallet.
- Place the cabinet in the desired location, standing on its ownbase.
- Check for any visible damage.
- Packaging materials can be recycled according to local recycling regulations.
- Verify that the product code and serial number match the same on any shipping documents.

Trade Mark			HOSHIZAKI			
Model Name			Advance K70	Advance K140	Advance F70	Advance F140
Intended Use			Storage	Storage	Storage	Storage
Chilled Operating Temperature			X	X		
Frozen Operating Temperature					X	X
Multiuse Cabinet						
Vertical Cabinet			X	X	X	X
Counter Cabinet						
Parameter	Symbol	Unit				
Energy Efficiency Class	EEC	-	C	C	D	D
Energy Efficiency Index	EEl	-	42,41	48,32	67,46	67,44
24 Hour Energy Consumption	E24h	kWh	1,5	2,54	6,546	9,98
Annual Energy Consumption	AEC	kWh	548	926	2389	3642
Net Volume for Compartment 1	Vn or Vn1	litre	415	398	420	398
Net Volume for Compartment 2	Vn2	litre	-	398	-	398
Net Volume for Compartment 3	Vn3	litre	-	-	-	-
Net Volume for Compartment 4	Vn4	litre	-	-	-	-
Total Net Volume	VnT	litre	415	797	420	797
Climate Class	CC		5	5	5	5
Refrigerant			R290	R290	R290	R290
Charge		kg	0.058	0.085	0.082	0.105
GWP			3	3	3	3
CO ₂ Equivalent		CO ₂	0,174	0,255	0,246	0,315
Heavy-duty; This appliance is intended for use in ambient temperatures up to 40°C			X	X	X	X
Contact details:	HOSHIZAKI EUROPE B.V.					
	Address: Burgemeester Stramanweg 101 1101 AA Amsterdam, The Netherlands Tel.: +31 (0)20 691 84 99 - http://hoshizaki.europe.com/					

HOSHIZAKI

Advance 70-140



II. OPERATING INSTRUCTIONS

ELECTRICITY

Before connecting the product to electrical power, please verify that the specified electrical power supply on the product description label corresponds with the local network electrical power supply.

The Product Description label with the specified electrical power supply can be found on the inside of the cabinet, at the top left-hand side.

Installation of the product must only be undertaken by qualified and trained service personnel as per the specifications listed in this manual.

Electrical safety of this cabinet can only be valid if its earthed in accordance to current local laws and regulations.

Earthing of the product is always required.

The manufacturer will not accept any responsibility for any damage arising from improper grounding.

Adhere to all electricity requirements stipulated by the local electrical regulations. The product's electricity plug and wall socket must have the correct earth connectivity reading. If necessary employ a qualified electrician.

GENERAL PRELIMINARY CHECKS

Make sure the cabinet is standing on level ground and is upright. If necessary, the adjustable feet of the cabinet can be used to achieve this. All feet should be in contact with the ground. This is necessary for the proper operation of the cabinet door.

Do not place the cabinet next to any heat generating devices such as ovens, grills, and deep fryers. Do not expose to direct sun light. Heat that may be radiated by walls or floors must be insulated with appropriate insulating material. The cabinet should be placed as far as possible from any heat source.

If the cabinet is re-located, allow three hours before re-starting. Plastic protection or tape should be removed from the outer surfaces.

Ensure the cabinet is positioned so sufficient fresh air can flow to/from the cooling circuit and around the surfaces of the cabinet. Leave at least 500 mm free space from the top of the cabinet.

If two refrigerators or freezers are to be placed side by side, there should be at least 50 mm. space between them.

Do not block any vent holes.

HOSHIZAKI

Advance 70-140



PRELIMINARY ELECTRICAL CHECKS

- Check that the mains voltage and frequency of the socket conform to the information on the product description label.
- The cabinet is connected to a mains outlet with a 13-16 Amp fuse as a serial connection.
- Turn off the mains fuse connected to the power cable.
- Check that the plug on the cabinet is suitable for use with the available mains socket and that they fit together.

FIRST OPERATIONS AND CONTROLS

After the above checks have been completed, the cabinet can be operated. The

ON/OFF switch operates the cabinet.

After the cabinet is turned ON, the compressor will start running. The compressor will run until the factory pre-set temperature is reached. Foods should not be placed in the cabinet until the temperature setting has been adjusted to suit the foods to be cooled.

New temperature setting can be done through the controller as described in this manual.

IMPORTANT

- Allow the product to cool to the set temperature before placing food items inside.
- Never exceed the maximum load capacity. The maximum shelf capacity is an even load of 40 kg each for shelves in upright cabinets and 20 kg for shelves and drawers in counter cabinets.
- Refer to the "General Preliminary Checks" section of this manual for information on the amount of space required for good air ventilation around the product.
- Do not store explosive substances such as aerosol cans with a flammable propellant in this appliance.

WARNING:

- Do not block any ventilation openings on the appliance at any time.
- Do not use mechanical devices or other means to accelerate the defrosting process, other than those recommended by the manufacturer.
- Do not damage the refrigerant circuit.
- Do not use electrical appliances inside the cabinet.

STORAGE CONDITIONS AND PERFORMANCE

Correct storage conditions are not only paramount to food hygiene and safety but improve the quality of service and reduce the energy consumption. Best performance can be achieved if the following tips and guidelines are observed: keep all food items on shelves only and never place food items on the floor of the cabinet.

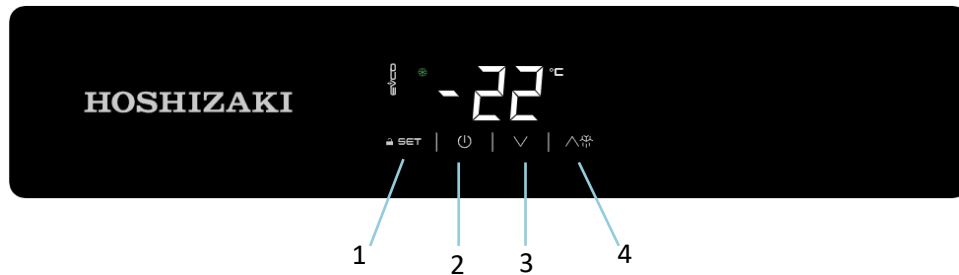
Food items must be placed in the cabinet or counter in such a way as to allow good air flow all around, leaving space between items and the walls of the product. If required shelf distance can be adjusted accordingly.

HOSHIZAKI

Advance 70-140



CONTROL PANEL



The control panel provides the following controls and functions:

1. SET key
 - Use to enter/set input values
2. ON/OFF key
 - Hold down for 4 seconds to turn the cabinet on or off
3. DOWN key
 - Use to scroll down through the menu or to change/reduce the value
4. UP key
 - Use to scroll up through a menu or to change/increase the value
 - Hold down for 4 seconds to start MANUAL DEFROSTING

FRONT PANEL FUNCTIONS

The control panel can be locked and unlocked.

To lock the controls:

- Ensure that no procedure is in progress
- Do not operate for 30 seconds
- The display will show "LOC" for 1 second and the keyboard will lock automatically

To unlock the controls:

- Touch a key for one second: the display will show the message "UNL" for one second

TEMPERATURE SETTING

1. Ensure that the control panel is not locked and that no procedure is on progress.
2. Touch the SET key, the * LED will flash.
3. Change the temperature setting by the use of the UP and DOWN arrows.
4. Touch the SET key or do not operate for 15 secs. The * LED will stop showing and the controller will exit this procedure.
5. To exit the temperature setting procedure before it is complete.
 - a. Touch the ON/OFF key (any changes will not be saved). The working set point can also be set via the SP parameter.

HOSHIZAKI

Advance 70-140



TEMPERATURE DISPLAY (as detected by probes)

1. Ensure that the control panel is not locked and that no procedure is in progress.
2. Press the DOWN arrow for 4 seconds: the display will show the first probe available.
3. Select the correct probe using the UP and DOWN arrows.
4. Press the SET key.

This table shows the codes for each of the probes.

Label	Displayed temperature
Pb1	Cabinet temperature
Pb2	Evaporator temperature

To exit the procedure, press the SET key for 60 seconds or do not operate for 60 seconds. Then press the ON/OFF key.

Note: if the evaporator probe is not present, the Pb2 code will not be displayed.

TEMPERATURE ALARMS

This is a list of alarms shown by this cabinet.

CODE	ALARM TYPE	CRITICAL VALUE
AL	Low temperature alarm	Low cabin temperature during this alarm
AH	High temperature alarm	High cabin temperature during this alarm
Id	Open door alarm	Maximum cabin temperature during this alarm

Alarm recording can only be done while the cabinet is turned on.

When the cause of the alarm is no longer present, the cabinet will return to normal operation.

ACCESS TO ALARM HISTORY

1. Press the DOWN button for 2 seconds to show the first code
2. Press and release the UP button or select LS by pressing the DOWN button
3. Press and release the SET button: one of the codes above will be shown

To select an alarm, press the UP button till AH is shown.

To show alarm information, press and release the SET key (the flashing HACCP LED will stop).

DISPLAY TEXTS AND THEIR MEANING

8.0	Critical values 8.0 °C/°F
Dur	The display shows the alarm time
h01	1-hour alarm (cont.)
n15	1 hour and 15-minute alarm
AH	Selected alarm

To exit the historical display, press and release the ON/STANDBY button repeatedly.

HOSHIZAKI

Advance 70-140



To exit the process, repeatedly press the UP or DOWN buttons until the display shows the cabinet temperature or wait 60 seconds without pressing any buttons.

Alternative Exit method: press and release the ON/STANDBY button. If there are no alarms recorded, the LS code will not be displayed.

ERROR CODES

Code	Description
Pr1	Cabinet probe error
Pr2	Evaporator probe error

The correction of these errors can only be undertaken by qualified technical personnel.

OPERATION STATUSES

Available operation statuses are listed below:

Status	Description
ON	The cabinet is powered up and operating
STANDBY	The cabinet is powered up but switched off
OFF	The cabinet has no power, the plug is not in the socket, or the main isolator is turned off

IMPORTANT

Do not carry out any maintenance or repair while the cabinet is in on or standby mode. Only when the power supply is completely isolated from the cabinet can any works be done.

HOSHIZAKI

Advance 70-140



III. MAINTENANCE INSTRUCTIONS

This section is particularly intended for the owner/user of the product. It provides important information on the correct usage and for the maximisation of the product's life span.

We recommend that any technical service is performed by competent trained personnel due to the nature of mechanical and electrical hazards.

Few simple steps during usage and adjustment can reduce the need for expensive repairs by service technicians. These steps do not require special technical knowledge.

IMPORTANT

WARNING: the appliance shall be disconnected from its power source during cleaning or maintenance and when replacing parts. The removal of the plug has to be such that an operator can check from any of the points to which he has access that the plug remains removed.

Before you begin cleaning and maintenance on the product, make absolutely sure the power supply has been turned off and cannot be reconnected accidentally by anyone else.

ATTENTION

Do not wash the product with high pressure water. Avoid any possibility spraying into the electrical components.

CLEANING

- It is recommended that periodically the inside of the cabinet is cleaned with disinfecting detergents. Internal cleaning of the cabinet should be carried out by using warm and slightly soapy water.
- Only pH neutral or slightly alkaline detergents may be used to clean the interior and the exterior of the cabinet.
- Damage caused by cleaning products containing chemicals that could damage stainless steel is not covered by the warranty.
- Never use metal implements, metal scouring pads nor scouring creams or powders.
- Dirt can be cleaned with a damp cloth.
- Keep the ventilation grilles of the cabinet clean and clear at all times.
- Shelves are removable for easy cleaning access.
- Ensure that the shelf runners and shelves themselves are cleaned thoroughly.

IMPORTANT

The product is made out of stainless steel. When used in normal conditions stainless steel does not corrode, however corrosion of stainless will occur if corrosive detergents are used.

ROUTINE MAINTENANCE

CONDENSER

It is very important that the condenser is capable of maximum heat transfer. Therefore, the surface of the condenser must always be clean and clear. Due to the effect of the fan, dust will accumulate on and inside the condenser fins. A vacuum cleaner with a brush attachment can be used to clean the condenser.

HOSHIZAKI

Advance 70-140



Pay particular attention to avoid causing any damage to the condenser fins or the fanblades.

If there is a filter, remove the filter to clean it and then replace it. Replace the filter if it is damaged or too dirty to clean properly.

DOOR/DRAWER GASKETS

A gasket in good condition will prevent humidity and warm air ingress into the cabinet, therefore it is vital for the good economical running of the cabinet.

POWER CABLE

If the supply cord is damaged, it must be replaced by the manufacturer, its service agent or similarly qualified persons in order to avoid a hazard.

PREPARATION FOR LONG-TERM PERIODS WITHOUT USE

- Turn off the power at the main isolator or remove the cabinet plug from the socket.
- Remove all food items from the cabinet.
- Clean the cabinet (refer to cleaning section).
- Remove accumulated dust and dirt from the compressor.
- To prevent any unpleasant odours, do not fully close the door.

ATTENTION

When disconnecting the product please be aware that thawing water might drip from the cabinet on to the floor. This can cause damage to the floor and cause slippery conditions.

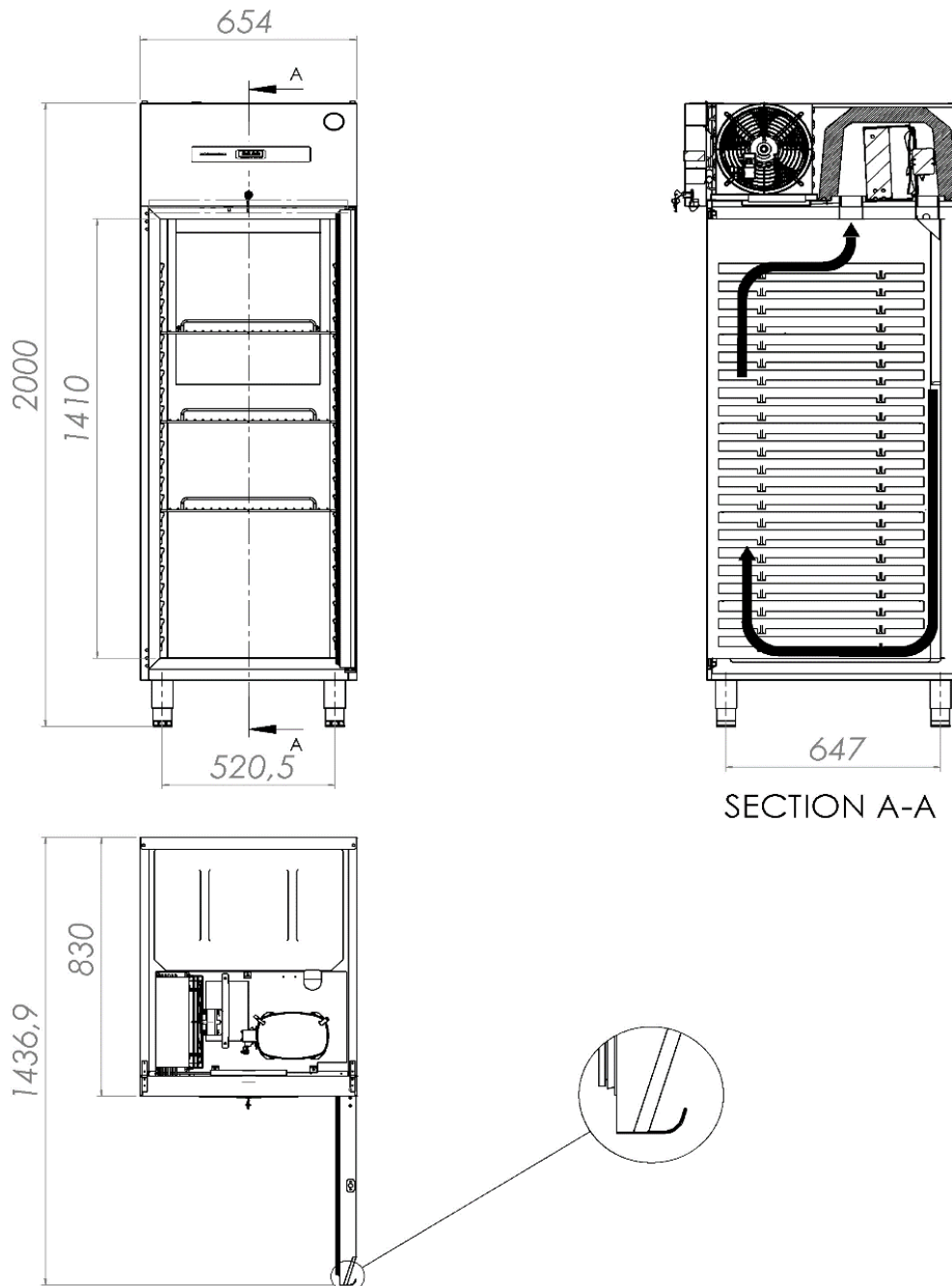
HOSHIZAKI

Advance 70-140



IV. TECHNICAL INFORMATION

DIMENSIONS OF THE PRODUCTS ADVANCE K70 & ADVANCE F70

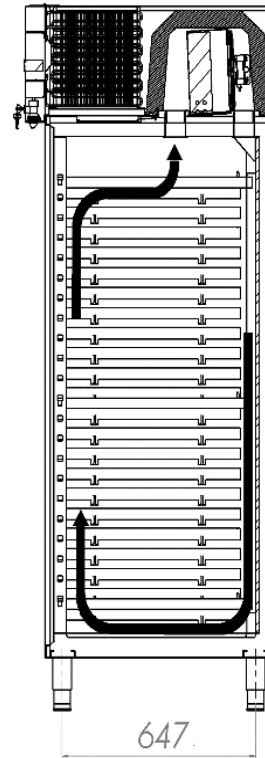
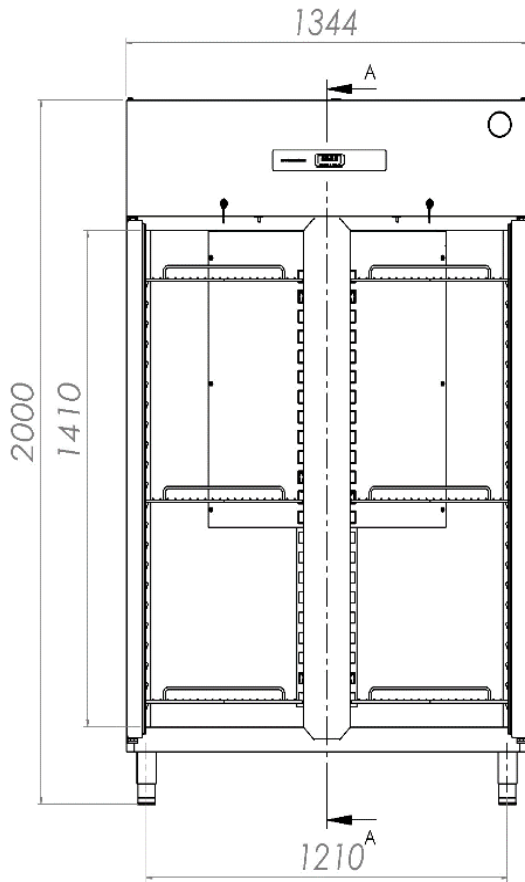


HOSHIZAKI

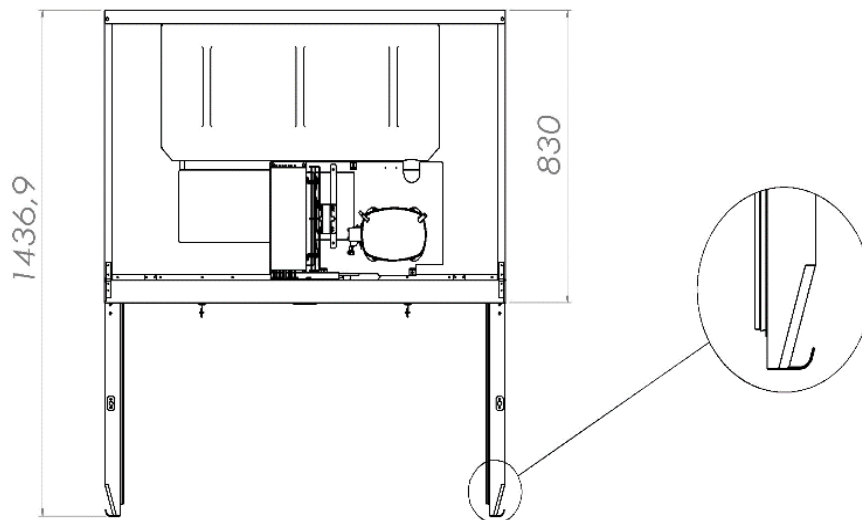
Advance 70-140



ADVANCE F140



SECTION A-A

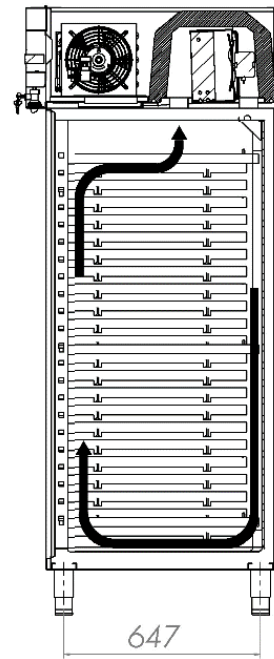
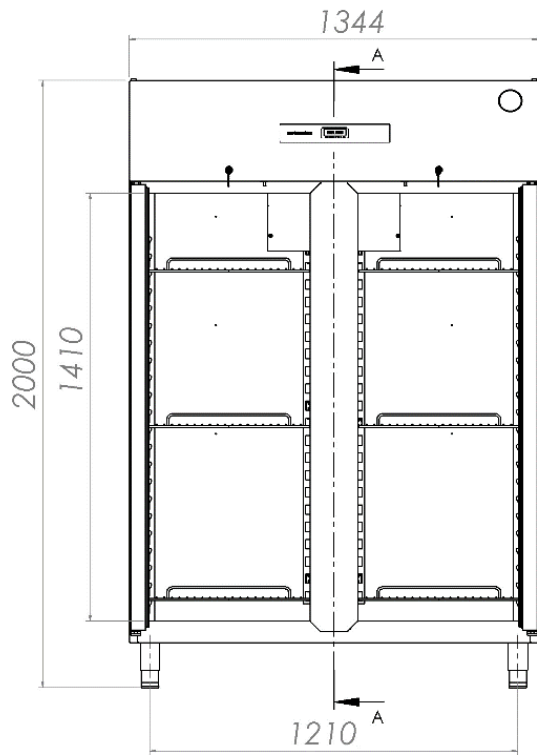


HOSHIZAKI

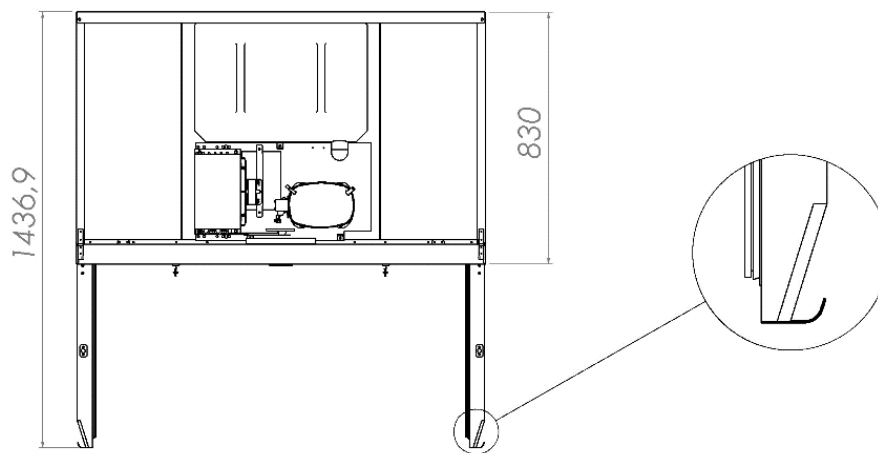
Advance 70-140



ADVANCE K140



SECTION A-A

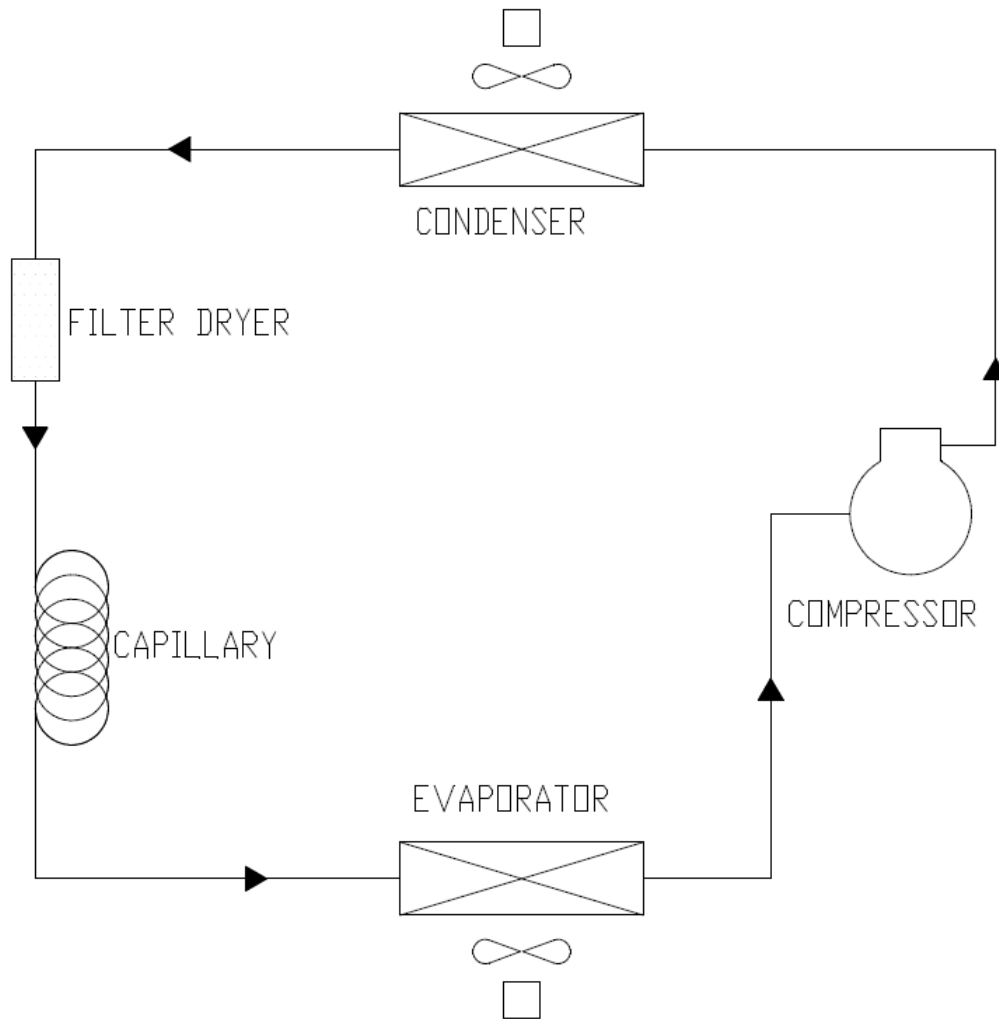


HOSHIZAKI

Advance 70-140



COOLING DIAGRAM

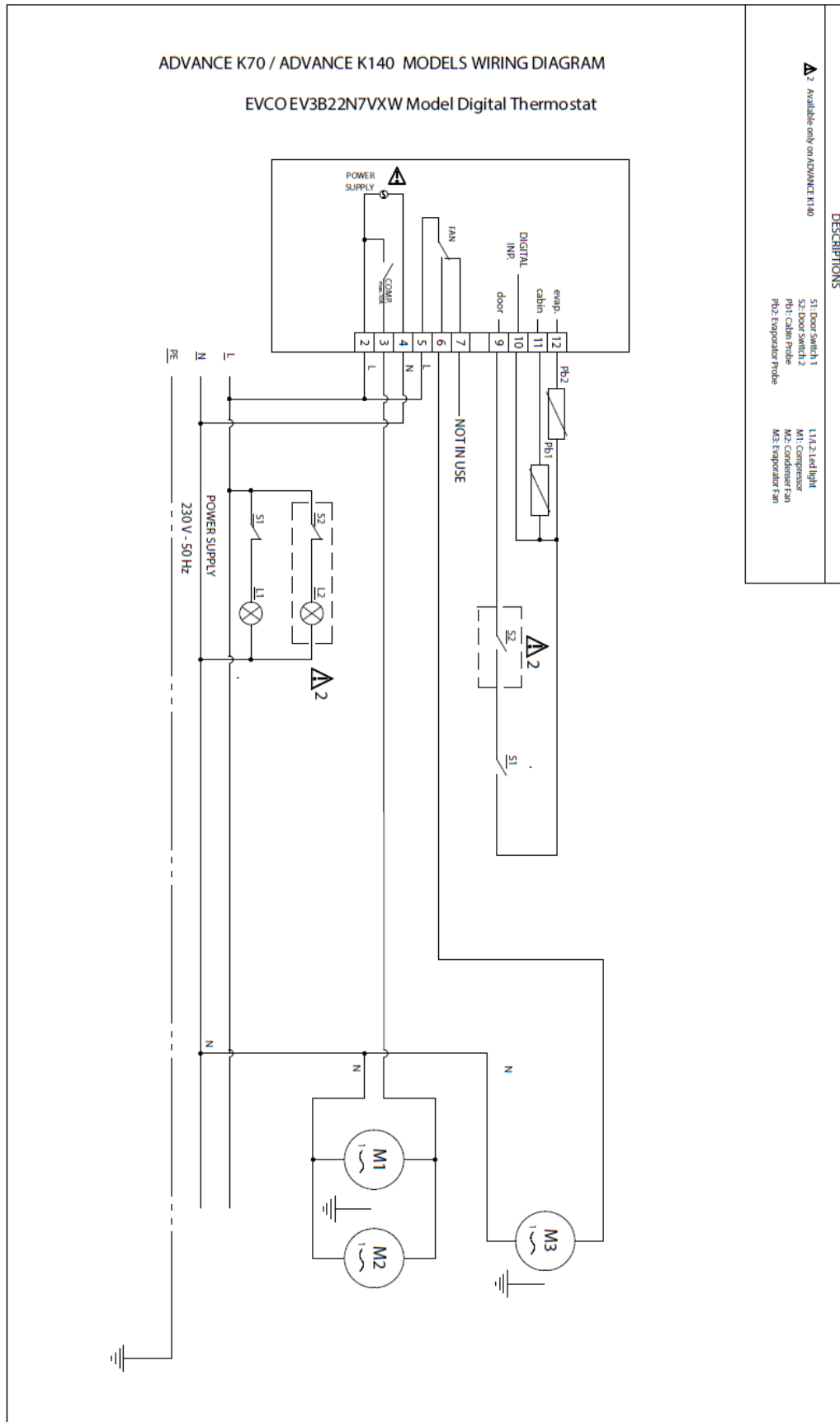


HOSHIZAKI

Advance 70-140



ADVANCE K70 / ADVANCE K140 MODELS WIRING DIAGRAM

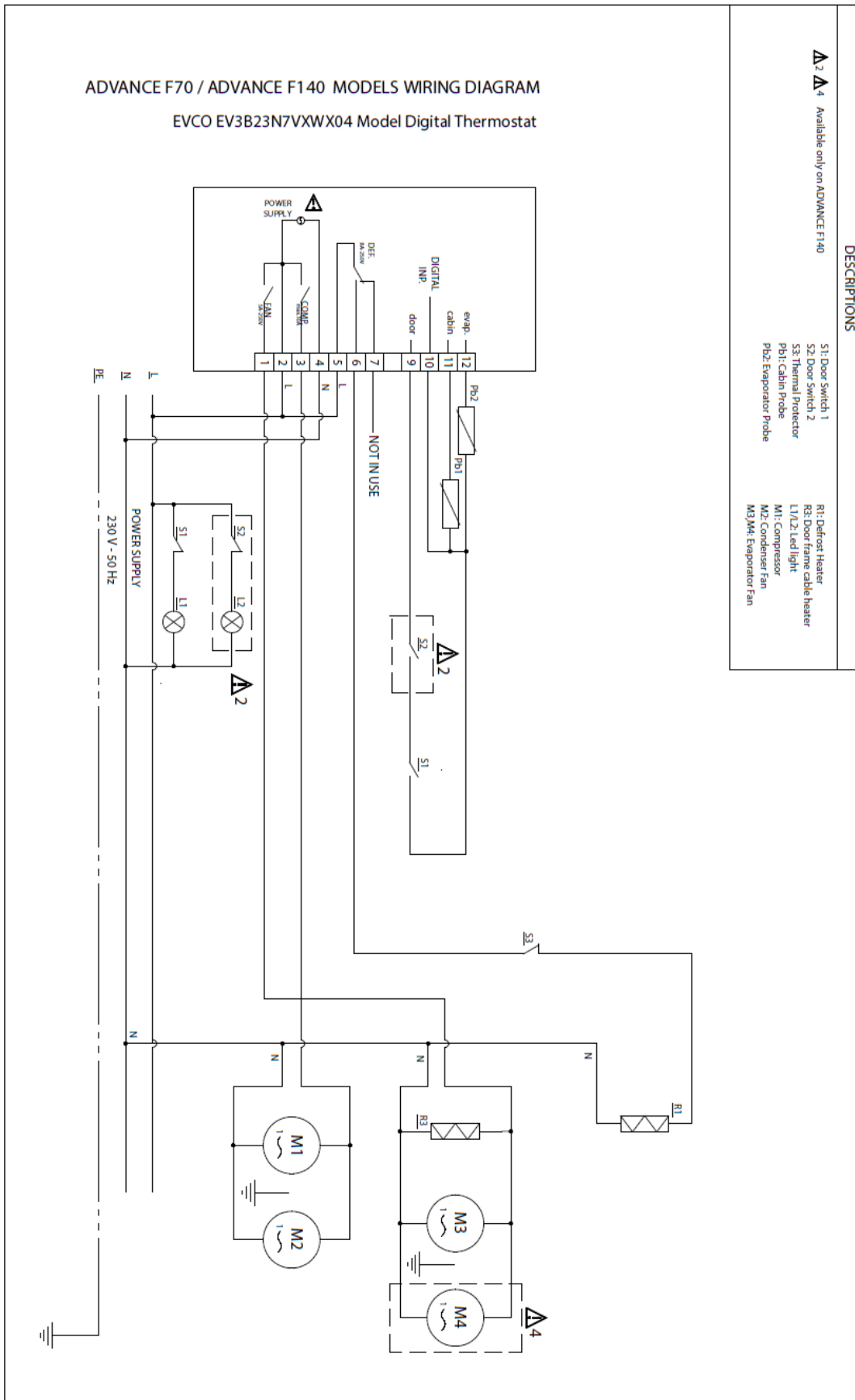


HOSHIZAKI

Advance 70-140



ADVANCE F70 / ADVANCE F140 MODELS WIRING DIAGRAM



HOSHIZAKI

Advance 70-140



V. SERVICE DIAGNOSIS

The table below lists several problems that you may encounter. If an alarm code is displayed, a malfunction has occurred. Please correct any possible causes before resetting the cabinet. Potential causes and remedies are listed below.

If an error code persists after you have carried out the checks below, please contact an authorized technician. The characteristics of the error message must be determined. Product details including the serial number can be found on the nameplate of the product.

PROBLEM	POSSIBLE CAUSE	REMEDY	
The cabinet is not working	No power is supplied to cabinet	Check the power plug and cable are fault free	
The compressor seldom stops running	Ambient temperature is too high	Ventilation needs to be improved	
	Condenser or condenser filter are blocked	Check and clean condenser filter regularly	
	Low refrigerant charge	Call authorized technician to repair a leak	
	Door gaskets are not sealing properly	Call authorized technician to replace seals	
	Evaporator is iced up		Do not place hot food items in the cabinet
Do not place food items with high water content inside cabinet unless they are stored in sealed containers			
Start a manual defrosting cycle			
Evaporator fan/fans are faulty	Call authorized technician to replace the fan/fans		
Overflowing water from the condenser water tray	Frequent placement of hot food items in the cabinet	Do not place hot food items in the cabinet	
		Only place food items with high water content in sealed containers in the cabinet	
	Frequent opening of door or drawers	Verify whether cabinet specifications confirm it is suitable for current usage	
Cabinet temperature is high	Condenser is blocked with dirt and dust	Check and clean condenser filter regularly	
	Air flow within cabinet is blocked	Remove items of food blocking the air flow	
	Ambient air is entering cabinet		Ensure door is closed
			Check for damage to the door and drawer seals
			Contact an authorized technician
Evaporator is iced up	Start a manual defrosting cycle		

HOSHIZAKI

Advance 70-140



VI. REMOVAL AND REPLACEMENT

REPLACING THE INTERIORLIGHTBULB

- Turn off the power at the main isolator or remove the cabinet plug from the socket.
- Open the door.
- Remove the screw securing the canopy and then lift the canopy.
- Ensure that the new bulb has the same rating as the old bulb. Voltage and wattage are printed on the bulb.
- Remove and replace the lightbulb.

DISPOSING OF THECABINET

- The cooling gas present in the cabinet can be identified from the nameplate.
- The cabinet is produced from recyclable materials in accordance with EU regulations. Therefore, at the end of its economic life, the cabinet must be passed to the appropriate recycling centre for disposal.
- Do not recycle the cabinet as metal or household waste.
- Do not compact the cooling plant refrigeration circuit.

IMPORTANT

Adhere to local by-laws and regulations during disposal of the cabinet.

HOSHIZAKI

Advance 70-140



All Rights Reserved

Hoshizaki reserves the right to change any features and the information in this manual.

Contact Details

Headquarters

Hoshizaki Europe B.V – All other countries in Europe and Africa

TEL: +31 (0)20 6918499

sales@hoshizaki.nl -- <http://hoshizaki-europe.com/>

Branches

Hoshizaki UK - UK, Ireland

TEL: +44 (0)845 456 05 85

uksales@hoshizaki.co.uk

Hoshizaki Deutschland - Germany, Switzerland, Austria

TEL: +49 (0)5121 697370

vertrieb@hoshizaki.de

Hoshizaki Benelux - Netherlands, Belgium, Luxembourg

TEL: +31 (0)85 0188370

info@hoshizaki.nl

Hoshizaki France - France

TEL: +33 (0)1 48 63 93 80

info@hoshizaki.fr

Hoshizaki Iberia - Spain, Portugal

TEL: +34 (0)93 478 09 52

info@hoshizaki.es

Hoshizaki Denmark - Denmark

TEL: +45 89 88 53 50

salg@hoshizaki.dk

Hoshizaki Norway - Norge

TEL: +47 22 88 17 50

salg@hoshizaki.no

Hoshizaki Sweden - Sverige

TEL: +46 108 84 87 47

OrderSE@hoshizaki.dk

Hoshizaki Italia – Italia

TEL: +39 348 3022156

commerciale@hoshizaki.it

HOSHIZAKI

Advance 70-140



HOSHIZAKI

Advance 70-140



REFRIGERATEURS ET CONGELATEURS

MANUEL D'UTILISATION, D'ENTRETIEN ET D'INSTALLATION



I.	INFORMATIONS GÉNÉRALES	23
II.	INSTRUCTIONS D'UTILISATION	26
III.	INSTRUCTIONS D'ENTRETIEN	32
IV.	INFORMATIONS TECHNIQUES	34
V.	SERVICE DE MAINTENANCE	39
VI.	ENLÈVEMENT ET REMPLACEMENT	40

Coordonnées :

HOSHIZAKI EUROPE B.V.

Adresse: Burgemeester Stramanweg 101 1101 AA Amsterdam, The Netherlands

Tel: +31 (0)20 691 8499

<http://hoshizaki-europe.com/>



HOSHIZAKI


Advance 70-140



I. INFORMATIONS GÉNÉRALES

ÉTIQUETTE DE DESCRIPTION DU PRODUIT

1 Numéro de produit
2 Description du produit
3 Modèle
4 Fluide frigorigène
5 Équivalent de CO ₂
6 Protection IP
7 Classe climatique
8 Date de production
9 Puissance totale/ Courant / puissance de la lampe
10 Tension - Fréquence
11 Élément chauffant
12 Pression du Système
13 Agent gonflant
14 Numéro de série

PRODUCT NUMBER	1
	
PRODUCT DESCRIPTION	2
MODEL	3
REFRIGERANT	4
CO2 EQUIVALENT	5
IP PROTECTION	6
CLIMATE CLASS	7
PRODUCTION DATE	8
TOTAL POWER / CURRENT / LAMP POWER	9
VOLTAGE - FREQUENCY	10
HEATING ELEMENT	11
SYSTEM PRESSURE	12
BLOWING AGENT	13

S/N: 14



HOSHIZAKI EUROPE B.V. Burgemeester Stramanweg 101 1101 AA
Amsterdam, The Netherlands



LE BUT DE L'UTILISATION

- Ce produit est adapté à une utilisation dans des espaces intérieurs seulement et uniquement dans le but de conserver des aliments et des boissons. Unités de stockage conçues pour maintenir le produit déjà à la température du réfrigérateur / congélateur.
- Le fabricant décline toute responsabilité pour tout dommage résultant d'une utilisation contraire à la directive indiquée dans ce manuel.
- En stockant les aliments dans ce réfrigérateur, il est nécessaire de s'assurer que la nourriture ne vient jamais en contact avec le corps de ce réfrigérateur.
- Tous les aliments doivent être complètement recouverts. Pour éviter la contamination et la corrosion des composants internes, tous les produits doivent être emballés ou stockés dans des conteneurs scellés.
- Ne pas stocker d'aliments ou de liquides chauds dans ce réfrigérateur.
- Les boissons conservées dans des boîtes et des bouteilles en verre ne doivent pas être conservées à des températures inférieures à 0 ° C (point de congélation). Les canettes et les bouteilles en verre peuvent éclater en raison de la dilatation. Tous les contenants avec couvercles ne doivent pas être remplis complètement, une petite quantité d'espace doit être laissée pour la dilatation.
- Ce réfrigérateur est équipé d'une installation d'auto-dégivrage automatique. Il est également possible d'effectuer un dégivrage manuel. Ce dégivrage manuel n'implique pas de fermer le réfrigérateur durant de longues périodes, mais peut être effectué via le contrôleur. En aucun cas la force ou des outils à main ne peuvent être utilisés pour dégivrer ce réfrigérateur, tout dommage résultant d'une telle action est difficile à réparer.
- N'employez aucun moyen mécanique ou autre de dégivrage.
- L'appareil ne doit pas être utilisé par des personnes (y compris des enfants) dont les capacités et capacités physiques, sensorielles ou mentales sont faibles ou qui ne sont pas disponibles d'une expérience et des connaissances suffisantes sans instruction ou supervision nécessaire.
- Les enfants sous surveillance ne doivent pas jouer avec l'appareil.
- Les processus de nettoyage et d'entretien des utilisateurs ne doivent pas être effectués par des enfants sans surveillance.

HOSHIZAKI

Advance 70-140



- Cet appareil peut être utilisé par des enfants de plus de 8 ans et des personnes dont les capacités et capacités physiques, sensorielles ou mentales sont faibles ou qui ne sont pas disponibles d'une expérience et des connaissances suffisantes à condition qu'il soit supervisé, et que les instructions nécessaires sur les dangers rattachés à l'utilisation de l'appareil et sur l'utilisation sûre de l'appareil soient fournies.
- Toute modification électrique ou mécanique de ce réfrigérateur annulera la garantie. Les modifications effectuées par des techniciens de maintenance non autorisés et les modifications autres que celles décrites dans ce manuel annuleront également la garantie. Le fabricant décline toute responsabilité pour les dommages résultant de ces modifications.

CLASSE CLIMATIQUE

Le réfrigérateur est conçu pour fonctionner à des températures ambiantes et d'humidité spécifiques. Ceux-ci sont définis dans le système de classe climatique. Ces niveaux ne doivent jamais être dépassés. La classe climatique de ce produit se trouve sur l'étiquette de description de produit. Le réfrigérateur ne convient pas pour une utilisation à des températures inférieures à 16 ° C de température ambiante.

Classe Climatique	Températures ambiantes et humidité
4	+30°C avec 55 % RH
5	+40°C avec 40 % RH

PREMIÈRE ACCEPTATION ET CONTRÔLES

Ce réfrigérateur a été emballé dans un matériau d'emballage de protection pour l'expédition. A la livraison, veuillez vérifier le réfrigérateur par rapport à tout dommage possible du au transport et que le modèle de réfrigérateur correspond à ce que vous avez commandé.

IMPORTANT

Toutes les opérations énumérées ci-dessous doivent se conformer pleinement à tous les règlements locaux et aux règles de sécurité. Respectez toutes les règles de sécurité actuelles lorsque vous utilisez ce produit.

TRANSPORT

Lors du levage du produit à l'aide de machines, la capacité de levage d'une telle machine doit être vérifiée avant d'entreprendre de telles procédures.

IMPORTANT

Quand on utilise un chariot élévateur à fourche pour déplacer le produit, faire en sorte que les fourches soient insérées dans les ouvertures appropriées de la palette.

Une fois en mouvement, il faut veiller à la stabilité du produit. Si le centre de gravité n'est pas au centre du produit, cela le rend susceptible de basculer. Lorsque vous abaissez le produit avec un chariot à fourches assurez-vous que cela se fasse lentement et avec précaution.

Si cela s'avérait nécessaire pour le transport des réfrigérateurs verticaux en position horizontale, veuillez vous assurer que le réfrigérateur a été debout pendant au moins 2 heures avant de le faire fonctionner. Il est recommandé de ne pas transporter les réfrigérateurs verticaux en position horizontale et tout dommage résultant d'une telle action ne sont pas couverts par la garantie.

HOSHIZAKI

Advance 70-140



ATTENTION

Les recommandations écrites à l'extérieur de l'emballage de transport sont au bénéfice des utilisateurs. Par conséquent, les recommandations suivantes doivent être respectées:

- Porter le produit avec précaution.
- Garder le produit au sec.
- Ne pas utiliser le haut du réfrigérateur pour le rangement.

OUVERTURE DE L'EMBALLAGE

- Retirer le carton et tout autre matériau d'emballage.
- Soulever le réfrigérateur pour le séparer et le retirer de lapalette.
- Placer le réfrigérateur à l'endroit désiré, debout sur sa propre base.
- Vérifier tout dommage visible.
- Les matériaux d'emballage peuvent être recyclés selon les règlements de recyclage locaux.
- Vérifier que le code produit et le numéro de série correspondent sur tous les documents d'expédition.

Armoires Réfrigérées

Marque Déposée			HOSHIZAKI			
Nom du Modèle			Advance K70	Advance K140	Advance F70	Advance F140
Intension d'utilisation			Storage	Storage	Storage	Storage
Température derefroidissement			X	X		
Température decongélation					X	X
Armoire à usagemultiple						
Armoireréfrigérée			X	X	X	X
Comptoir réfrigéré						
Paramètre	Symbol	Unit				
Classe d'Efficacité Energétique	EEC	-	C	C	D	D
Index d'EfficacitéEnergétique	EEl	-	42.41	48.32	67.46	67.44
Consommation d'Energie en 24heures	E24h	kWh	1,50	2,54	6,546	9,98
Consommation d'Energieannuelle	AEC	kWh	548	926	2389	3642
Volume net pour le compartiment1	Vn or	litre	415	398	420	398
Volume net pour le compartiment2	Vn2	litre	-	398	-	398
Volume net pour le compartiment3	Vn3	litre	-	-	-	-
Volume net pour le compartiment4	Vn4	litre	-	-	-	-
Volume nettotal	VnT	litre	415	797	420	797
ClasseClimatique	CC		5	5	5	5
Gaz Réfrigérant			R290	R290	R290	R290
Poids		kg	0.058	0.085	0.082	0.105
Potentiel de RéchauffementPlanétaire			3	3	3	3
Equivalence CO2		CO2	0,174	0,255	0,246	0,315
Résistance; Cet appareil est à utiliser dans			X	X	X	X
Détails du contact	HOSHIZAKI EUROPEB.V.					
	Burgemeester Stramanweg 101 1101AA Amsterdam, The Netherlands Tel.: +31 (0)20 69184 99 - http://hoshizaki.europe.com/					

HOSHIZAKI

Advance 70-140



II. INSTRUCTIONS D'UTILISATION

ÉLECTRICITÉ

Avant de connecter le produit à l'alimentation électrique, veuillez vérifier que l'alimentation électrique spécifiée sur l'étiquette de description du produit correspond à l'alimentation électrique du réseau local.

L'étiquette de description du produit avec l'alimentation électrique spécifiée se trouve à l'intérieur du réfrigérateur, en haut à gauche.

L'installation du produit ne doit être effectuée que par un personnel qualifié et formé selon les spécifications figurant dans le manuel.

La sécurité électrique de ce réfrigérateur ne peut être valable que s'il est relié à la terre conformément aux lois et réglementations locales en vigueur.

La mise à la terre du produit est toujours nécessaire.

Le fabricant décline toute responsabilité pour tout dommage résultant d'une mauvaise mise à la terre.

Adhérer à toutes les exigences d'électricité stipulées par les réglementations électriques locales. La fiche d'alimentation du produit et la prise murale doivent avoir la bonne lecture de la connectivité à la terre. Si nécessaire, employez un électricien qualifié.

CONTROLES GÉNÉRAUX PRELIMINAIRES

Assurez-vous que le réfrigérateur est debout sur un sol plat et qu'il est vertical. Si nécessaire, les pieds réglables du réfrigérateur peuvent être utilisés pour y parvenir. Tous les pieds doivent être en contact avec le sol. Ceci est nécessaire pour le bon fonctionnement de la porte du réfrigérateur.

Ne pas placer le réfrigérateur à côté de tout dispositif générateur de chaleur tel que fours, grills, et friteuses. Ne pas exposer à la lumière directe du soleil. La chaleur qui peut rayonner par les murs ou les sols doit être isolée avec un matériau isolant approprié. Le réfrigérateur doit être aussi éloigné que possible de toute source de chaleur.

Si le boîtier est repositionné, attendez trois heures avant de le redémarrer. Une protection en plastique ou du ruban adhésif doit être retiré des surfaces externes.

Assurez-vous que l'armoire est positionnée de sorte qu'une quantité d'air frais suffisante puisse circuler vers / depuis le circuit de refroidissement autour de l'armoire. Laissez au moins 500 mm d'espace libre depuis le haut de l'armoire.

Si deux réfrigérateurs ou congélateurs doivent être placés côte à côte, il doit y avoir au moins 50 mm d'espace entre eux.

Ne bloquez pas les trous d'aération.

HOSHIZAKI

Advance 70-140



CONTRÔLES ÉLECTRIQUES PRÉLIMINAIRES

- Vérifier que la tension et la fréquence de la prise de courant sont conformes à l'information sur l'étiquette de description du produit.
- Le réfrigérateur est relié à une prise secteur avec un fusible 13-16 Amp. en tant que connexion série.
- Éteindre le fusible secteur connecté au câble d'alimentation.
- Vérifier que la fiche du réfrigérateur est adaptée pour être utilisée avec la prise secteur disponible et qu'ils s'emboîtent.

PREMIERE OPERATION ET COMMANDES

Après que les vérifications ci-dessus ont été réalisées, le réfrigérateur peut être utilisé.

Le commutateur ON-OFF fait fonctionner le réfrigérateur.

Après l'activation du réfrigérateur, le compresseur commence à fonctionner. Le compresseur fonctionnera jusqu'à ce que la température pré-réglée en usine soit atteinte. Les aliments ne doivent pas être placés dans le réfrigérateur jusqu'à ce que le réglage de la température ait été ajusté en fonction de la nourriture à refroidir.

Un nouveau réglage de la température peut être fait par le régulateur comme décrit dans ce manuel.

IMPORTANT

- Laissez le produit refroidir à la température réglée avant de placer les aliments à l'intérieur.
- Ne jamais dépasser la capacité de charge maximale. La capacité maximale de chaque étagère est de 40 kg dans les armoires et de 20 kg dans les comptoirs réfrigérés.
- Reportez-vous à la section « Vérifications préliminaires générales » de ce manuel pour obtenir des informations sur la quantité d'espace nécessaire pour une bonne ventilation de l'air autour du produit.
- Ne pas conserver dans cet appareil des substances explosives telles que des aérosols contenant des gaz propulseurs inflammables.

AVERTISSEMENT

- Ne bloquez jamais les ouvertures de ventilation de l'appareil.
- Ne pas utiliser de dispositifs mécaniques ou d'autres moyens autres que ceux recommandés par le fabricant pour accélérer le processus de dégivrage.
- Ne pas endommager le circuit de réfrigération.
- N'utilisez pas d'appareils électriques dans la cabine.

CONDITIONS DE CONSERVATION ET PERFORMANCES

Des conditions de conservation correctes sont non seulement primordiales pour l'hygiène et la sécurité alimentaire, mais elles améliorent la qualité du service et réduisent la consommation d'énergie. De meilleures performances peuvent être obtenues si les conseils suivants sont respectés: conservez tous les aliments sur les étagères et ne placez jamais d'aliments sur le plancher du réfrigérateur.

Les aliments doivent être placés dans le réfrigérateur ou le comptoir de manière à permettre une bonne circulation de l'air tout autour, laissant un espace entre les éléments et les parois du produit. Si besoin, l'écart entre les étagères peut être ajusté en conséquence.

HOSHIZAKI

Advance 70-140



PANNEAU DE CONTRÔLE



Le panneau de commande fournit les commandes et fonctions suivantes :

1. Touche SET
 - Utilisée pour entrer / définir des valeurs d'entrée
2. Touche ON/OFF
 - Maintenir enfoncé pendant 4 secondes pour mettre le réfrigérateur sous ou hors tension
3. Touche BAS
 - Utilisée pour faire défiler le menu ou pour modifier / réduire la valeur
4. Touche HAUT
 - Utilisée pour faire défiler dans un menu ou pour modifier / augmenter la valeur
 - Maintenir la touche enfoncée pendant 4 secondes pour démarrer le DÉGIVRAGE MANUEL

FONCTIONS DU PANNEAU AVANT

Le panneau de commande peut être verrouillé et déverrouillé.

Pour verrouiller les commandes :

- Veiller à ce qu'aucune procédure ne soit en cours
- Ne pas faire fonctionner pendant 30 secondes
- L'écran affiche « LOC » pendant 1 seconde et le clavier se verrouille automatiquement

Pour déverrouiller les commandes :

- Appuyer sur une touche pendant une seconde : l'écran affiche le message « UNL » pendant une seconde

REGLAGE DE LA TEMPERATURE

1. Veiller à ce que le panneau de contrôle n'est pas verrouillé et qu'aucune procédure n'est en cours
2. Appuyer sur la touche SET, le * LED clignotera
3. Modifier le réglage de la température par l'utilisation des flèches BAS et HAUT.
4. Appuyer sur la touche SET ou ne pas faire fonctionner pendant 15 secondes. La * LED va arrêter l'affichage et le contrôleur quittera cette procédure.
5. Pour sortir de la procédure de réglage de la température avant qu'elle soit terminée.
 - a. Appuyer sur la touche ON/OFF (les modifications ne seront pas enregistrées). Le point de consigne de travail peut également être réglé via le paramètre SP.

HOSHIZAKI

Advance 70-140



AFFICHAGE DE LA TEMPÉRATURE (tel que détecté par sondes)

1. Veiller à ce que le panneau de contrôle n'est pas verrouillé et qu'aucune procédure n'est en cours.
2. Appuyer sur la flèche VERS LE BAS pendant 4 secondes: l'écran affiche la première sonde disponible
3. Sélectionner la bonne sonde en utilisant les flèches vers le HAUT et vers le BAS.
4. Appuyer sur la touche SET.

Ce tableau indique les codes de chacune des sondes.

Étiquette	Température affichée
Pb1	Température du réfrigérateur
Pb2	Température de l'évaporateur

Pour quitter la procédure – Appuyez sur la touche SET pendant 60 secondes ou ne pas faire fonctionner pendant 60 secondes. Ensuite, appuyer sur la touche ON/OFF.

Remarque : si la sonde de l'évaporateur n'est pas présente, le code Pb2 ne sera pas affiché

ALARMES DE TEMPÉRATURE

Voici une liste des alarmes présentes dans ce réfrigérateur.

CODE	TYPE D'ALARME	VALEUR CRITIQUE
AL	Alarme basse température	Faible température du réfrigérateur pendant cette alarme
AH	Alarme haute température	Haute température du réfrigérateur pendant cette alarme
Id	Alarme porte ouverte	Température maximale du réfrigérateur au cours de cette alarme

L'enregistrement d'alarme ne peut être effectif que lorsque le réfrigérateur est allumé.

Lorsque la cause de l'alarme n'est plus présente, le réfrigérateur va revenir à un fonctionnement normal.

ACCÈS A L'HISTORIQUE D'ALARME

1. Appuyer sur la touche BAS pendant 2 secondes pour afficher le premier code
2. Appuyer et relâcher la touche HAUT ou sélectionner LS en appuyant sur la touche BAS
3. Appuyer et relâcher la touche SET, l'un des codes ci-dessus sera affiché

Pour sélectionner une alarme, appuyer sur la touche UP jusqu'à ce qu'AH soit représenté.
Pour afficher les informations d'alarme, appuyer et relâcher la touche SET (le clignotement LED HCCP cessera)

AFFICHAGE DES TEXTES ET LEURS SIGNIFICATION

8.0	Valeur critique 8.0 °C/°F
Dur	L'écran affiche l'heure de l'alarme
h01	Alarme d'1 heure (cont.)
n15	Alarme d'1 heure et 15 minutes
AH	Alarme sélectionnée

HOSHIZAKI

Advance 70-140



Pour quitter l'affichage de l'historique, appuyer et relâcher la touche ON / STANDBY à plusieurs reprises.

Pour sortir du processus, appuyer plusieurs fois sur les touches HAUT ou BAS jusqu'à ce que l'écran affiche la température du réfrigérateur ou attendre 60 secondes sans appuyer sur les touches.

Méthode de sortie alternative : presser et relâcher la touche ON/STANDBY. Si aucune alarme n'est enregistrée, le code LS ne sera pas affiché.

CODES D'ERREUR

Code	Description
Pr1	Erreur de la sonde du réfrigérateur
Pr2	Erreur de la sonde de l'évaporateur

La correction de ces erreurs ne peut être effectuée que par un personnel technique qualifié.

FONCTIONNEMENT

Les fonctionnements disponibles sont listés ci-dessous:

État	Description
ON	Le réfrigérateur est sous tension et en fonctionnement
STANDBY	Le réfrigérateur est sous tension, mais éteint
OFF	Le réfrigérateur n'a pas de courant, la fiche n'est pas dans la prise, ou l'interrupteur principal est éteint

IMPORTANT

Ne pas effectuer un quelconque entretien ou réparation lorsque le réfrigérateur est allumé ou en mode standby. Ce n'est que lorsque l'alimentation électrique est complètement isolée du réfrigérateur qu'une intervention peut être effectuée.

HOSHIZAKI

Advance 70-140



III. INSTRUCTIONS D'ENTRETIEN

Cette section est particulièrement conçue pour les propriétaires / utilisateurs du réfrigérateur. Elle fournit des informations importantes concernant l'utilisation correcte et la maximisation de la longévité du produit.

Nous recommandons que tout service technique soit effectué par un personnel formé et compétent en raison de la nature des risques mécaniques et électriques.

Quelques étapes simples lors de l'utilisation et du réglage peuvent réduire le besoin de réparations coûteuses par des techniciens de maintenance. Ces étapes ne nécessitent pas de connaissances techniques particulières.

IMPORTANT

REMARQUE: Lors des processus de nettoyage ou de maintenance et lors du remplacement de pièces, l'appareil doit être débranché de la source d'alimentation électrique. L'utilisateur de l'appareil doit effectuer les vérifications nécessaires pour s'assurer que le câble de l'appareil n'est pas branché à la source d'alimentation.

Avant de commencer le nettoyage et l'entretien sur le réfrigérateur, vérifier impérativement que l'alimentation a été coupée et ne peut pas être rebranchée accidentellement par une autre personne.

ATTENTION

Ne pas laver le produit avec de l'eau sous haute pression. Éviter toute possibilité de projection d'eau dans les composants et commandes électriques

NETTOYAGE

- Il est recommandé de nettoyer périodiquement l'intérieur du réfrigérateur avec un détergent désinfectant. Le nettoyage intérieur du réfrigérateur doit être effectué en utilisant de l'eau chaude et légèrement savonneuse.
- Seuls des détergents au pH neutres ou légèrement alcalins peuvent être utilisés pour nettoyer l'intérieur et l'extérieur du réfrigérateur.
- Les dommages causés par des produits de nettoyage contenant des produits chimiques qui peuvent endommager l'acier inoxydable ne sont pas couverts par la garantie.
- Ne jamais utiliser d'outils métalliques, tampons à récurer métalliques ni crèmes ou poudres à récurer.
- La saleté peut être nettoyée avec un chiffon humide.
- Garder les grilles d'aération propres et dégagées en tout temps.
- Les étagères sont amovibles pour un nettoyage facile d'accès.
- Assurez-vous que les glissières et les étagères elles-mêmes soient nettoyées à fond.

IMPORTANT

Le produit est fabriqué en acier inoxydable. Quand il est utilisé dans des conditions normales, l'acier inoxydable ne corrode pas, cependant une corrosion de l'acier inoxydable se produira si des détergents corrosifs sont utilisés.

HOSHIZAKI

Advance 70-140



ENTRETIEN COURANT

CONDENSEUR

Il est très important que le condenseur soit apte à un transfert de chaleur maximum. Par conséquent, la surface du condenseur doit toujours être propre et claire. En raison de l'effet du ventilateur, la poussière va s'accumuler sur et à l'intérieur des ailettes du condenseur. Un aspirateur muni d'un embout à brosse peut être utilisé pour nettoyer le condenseur.

Portez une attention particulière afin d'éviter de causer des dommages aux ailettes du condenseur ou aux pales du ventilateur.

S'il y a un filtre, le retirer pour le nettoyer puis le replacer. Remplacez le filtre s'il est endommagé ou trop sale pour être nettoyé correctement.

JOINTS PORTE/TIROIR

Un joint en bon état permettra d'éviter à l'humidité et à la chaleur de pénétrer dans le réfrigérateur, il est donc vital pour le bon fonctionnement économique du réfrigérateur.

CÂBLE D'ALIMENTATION

Si le cordon d'alimentation est endommagé, il doit être remplacé par le fabricant, son prestataire de service ou des personnes de qualification similaire afin d'éviter tout danger.

PRÉPARATION POUR DES LONGUES PÉRIODES SANS UTILISATION

- Couper l'alimentation de l'interrupteur principal ou retirer la fiche du réfrigérateur de la prise.
- Retirer tous les produits alimentaires du réfrigérateur.
- Nettoyer le réfrigérateur (voir la section nettoyage)
- Enlever la poussière et la saleté accumulées sur le compresseur.
- Pour éviter toute odeur désagréable, ne fermez pas complètement la porte.

ATTENTION

Lorsque vous débranchez le produit, sachez que de l'eau de décongélation peut couler du réfrigérateur sur le sol. Cela peut endommager le sol et causer des conditions glissantes.

HOSHIZAKI

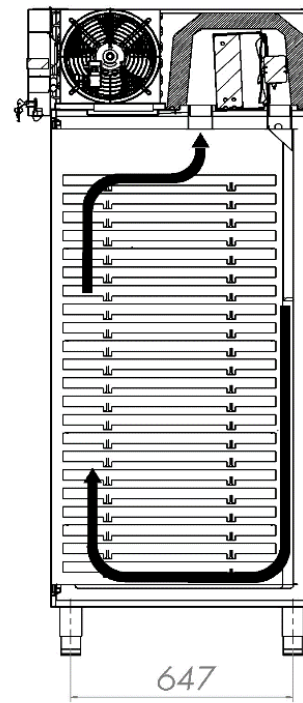
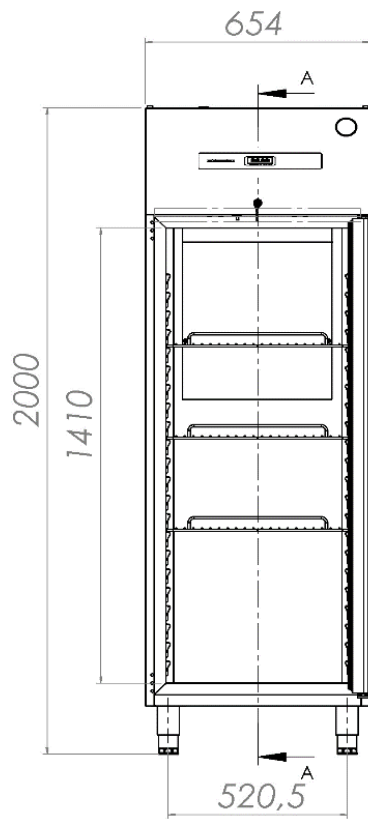
Advance 70-140



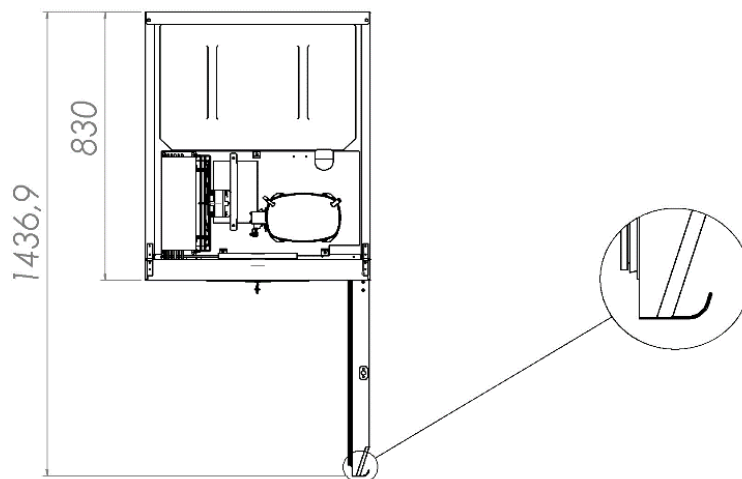
IV. INFORMATIONS TECHNIQUES

DIMENSIONS DES PRODUITS

ADVANCE K70 & ADVANCE F70



SECTION A-A

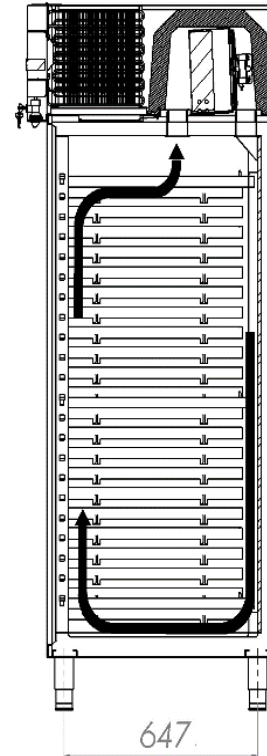
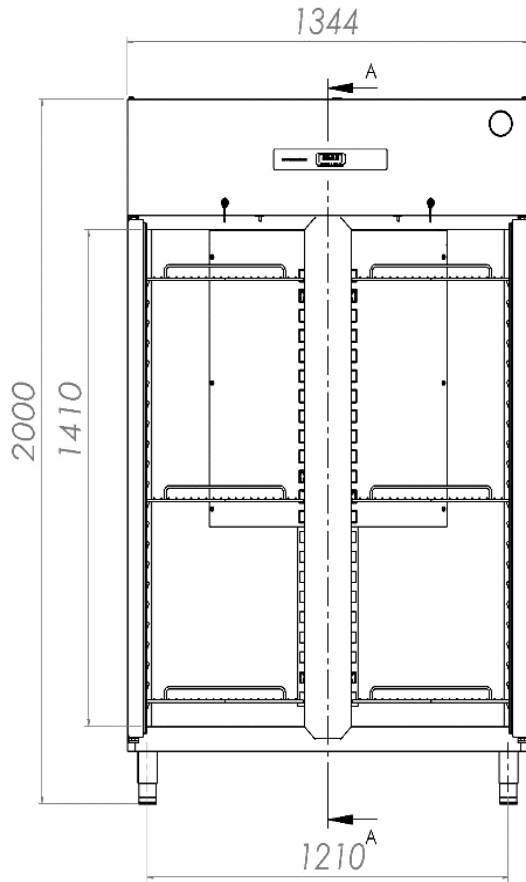


HOSHIZAKI

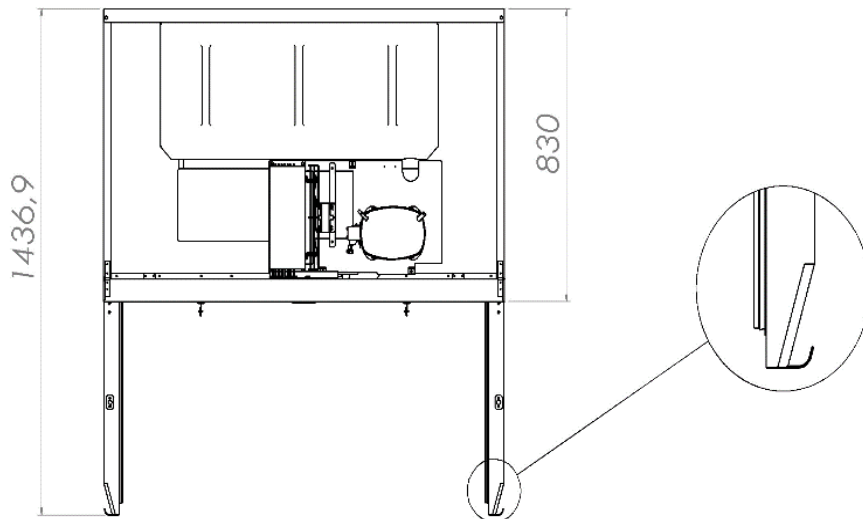
Advance 70-140



ADVANCE F140



SECTION A-A

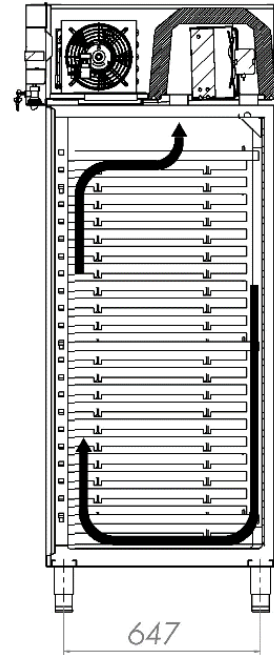
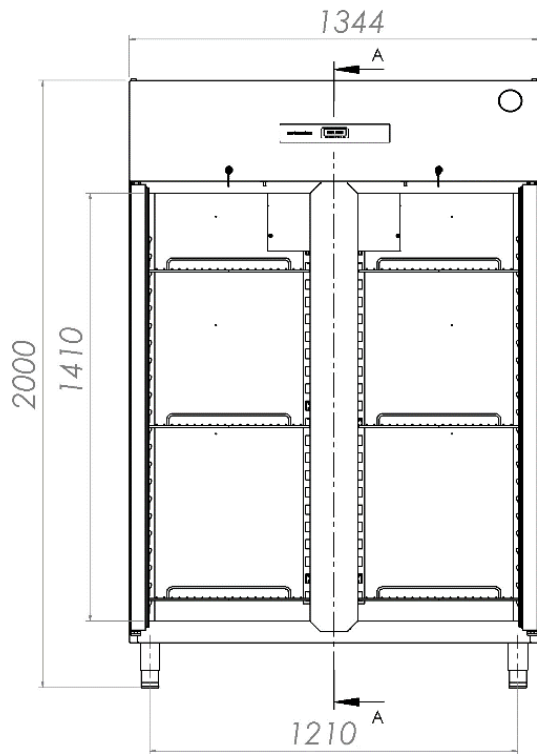


HOSHIZAKI

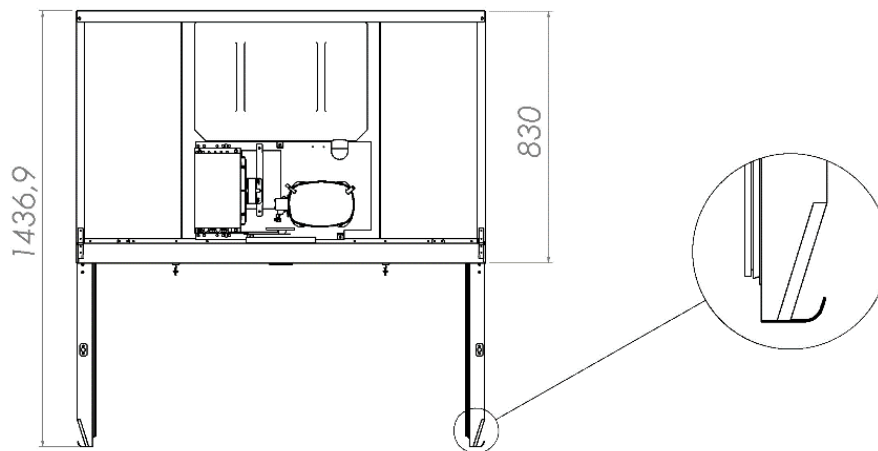
Advance 70-140



ADVANCE K140



SECTION A-A

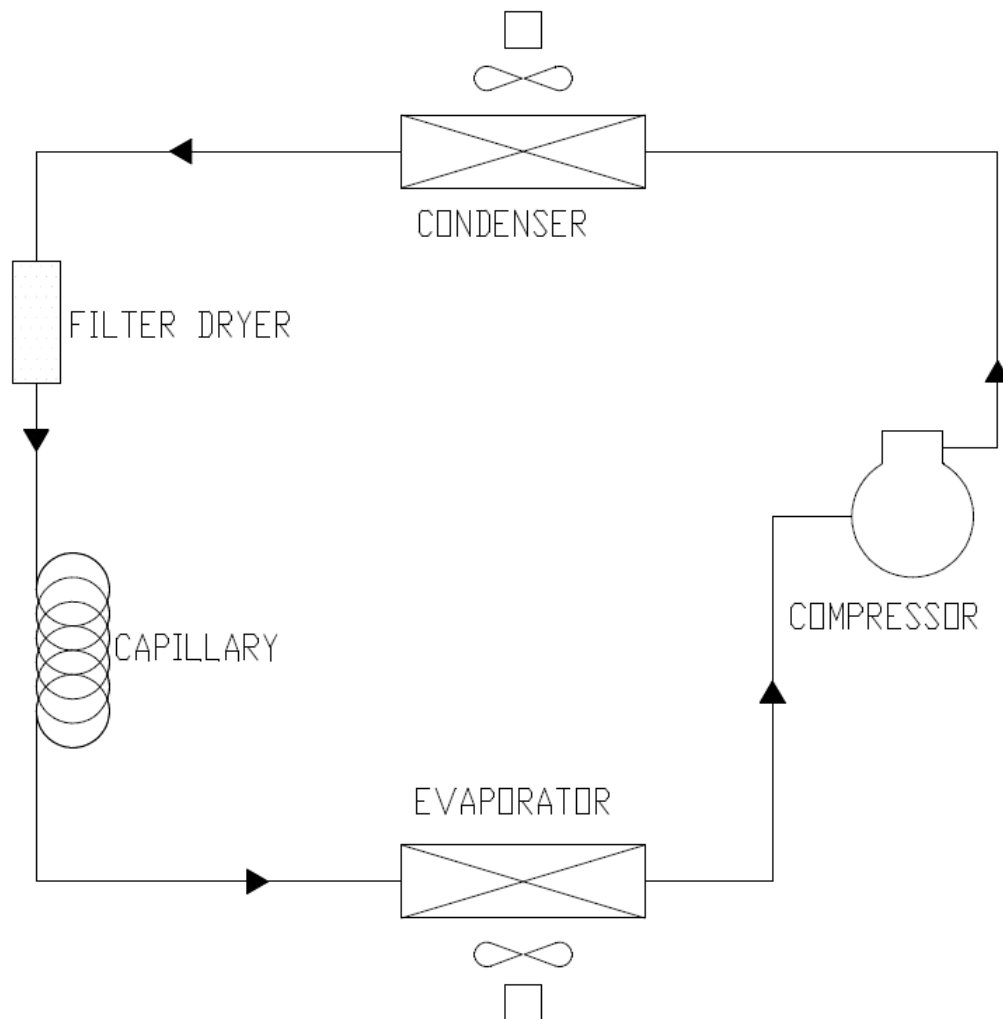


HOSHIZAKI

Advance 70-140



Système de refroidissement standard



- 1 Compresseur (Compressor)
- 2 Condenseur (Condenser)
- 3 Séchoir (Filter Dryer)
- 4 Tube capillaire (Capillary)
- 5 Évaporateur (Evaporator)

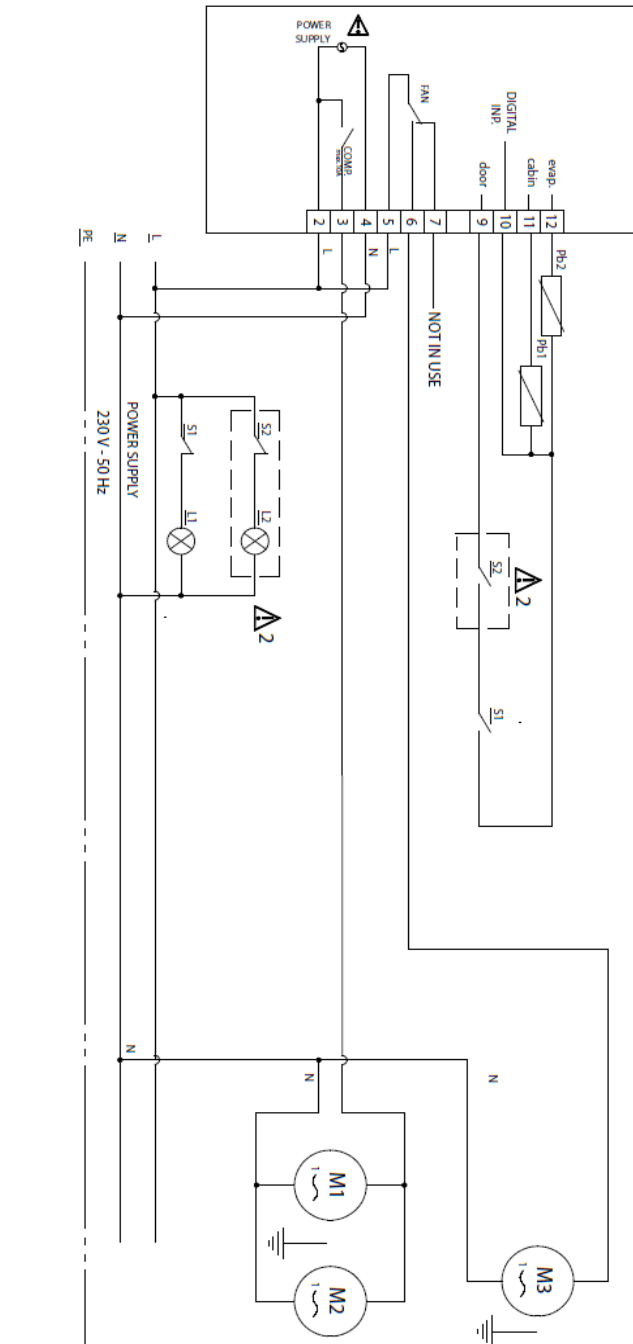
HOSHIZAKI

Advance 70-140



ADVANCE K70 / ADVANCE K140 MODELS WIRING DIAGRAM

EVCO EV3B22N7VXW Model Digital Thermostat

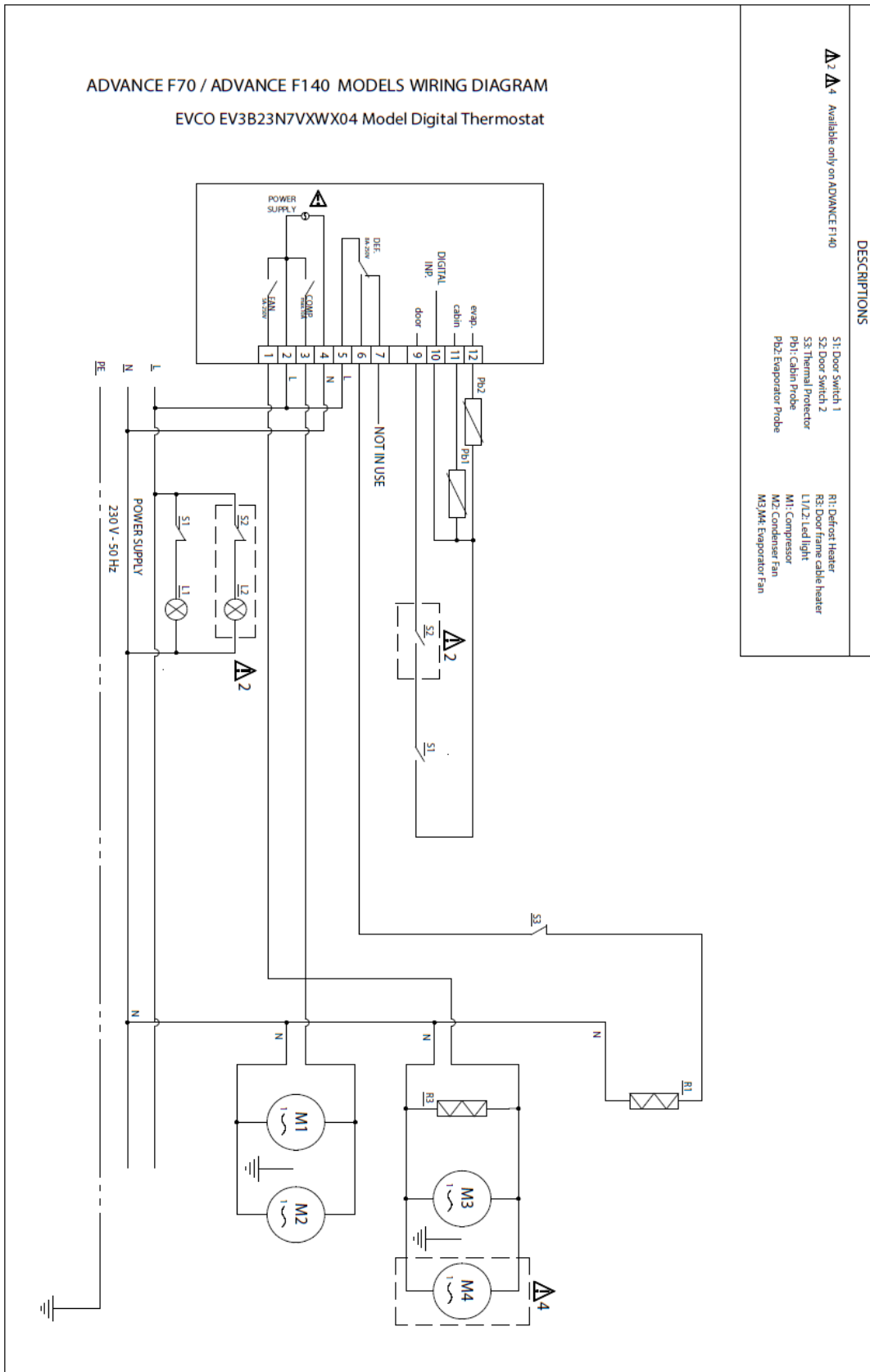


DESCRIPTIONS

- ▲2 Available only on ADVANCE K140
- S1: Door Switch 1
- S2: Door Switch 2
- Pb1: Cabin Probe
- Pb2: Evaporator Probe
- L1, L2: Led light
- M1: Compressor
- M2: Condenser Fan
- M3: Evaporator Fan

HOSHIZAKI

Advance 70-140



HOSHIZAKI

Advance 70-140



V. SERVICE DE MAINTENANCE

Le tableau ci-dessous énumère plusieurs problèmes que vous pouvez rencontrer. Si un code d'alarme est affiché, un dysfonctionnement s'est produit. Veuillez corriger toutes les causes possibles avant de réinitialiser le réfrigérateur. Les causes et les dépannages possibles sont énumérés ci-dessous.

Si un code d'erreur persiste après avoir effectué les vérifications ci-dessous, veuillez contacter un technicien agréé. Les caractéristiques du message d'erreur doivent être déterminées. Les détails du produit, y compris le numéro de série, figurent sur la plaque signalétique du produit.

PROBLÈME	CAUSE POSSIBLE	SOLUTION	
Le réfrigérateur ne fonctionne pas	Aucune alimentation électrique n'est connectée au réfrigérateur	Vérifiez que la fiche d'alimentation et le câble sont sans défaut	
Le compresseur s'arrête rarement	La température ambiante est trop élevée	La ventilation doit être améliorée	
	Le condenser ou le filtre du condenseur sont bloqués	Vérifier et nettoyer régulièrement le filtre du condenseur	
	Faible charge du fluide frigorigène	Appelez un technicien agréé pour réparer une fuite	
	Les joints de portes ne sont pas correctement étanches	Appelez un technicien agréé pour remplacer les joints d'étanchéité	
	L'évaporateur est givré		Ne pas mettre d'aliments chauds dans le réfrigérateur
			Ne placez pas d'aliments à forte teneur en eau à l'intérieur du réfrigérateur à moins qu'ils soient conservés dans des conteneurs scellés
Lancer un cycle de dégivrage manuel			
	Le ventilateur de l'évaporateur / ventilateurs sont défectueux	Appelez un technicien autorisé pour remplacer le(s) ventilateur(s)	
Débordement d'eau du réservoir du condenseur	Placement fréquent d'aliments chauds dans le réfrigérateur	Ne pas mettre d'aliments chauds dans le réfrigérateur	
		Placez dans le réfrigérateur des aliments à forte teneur en eau uniquement dans des conteneurs scellés	
	Ouverture fréquente de la porte ou des tiroirs	Vérifiez si les spécifications du réfrigérateur confirment qu'il convient à l'utilisation actuelle	
La température du réfrigérateur est élevée	Le condenseur est bloqué avec de la saleté et de la poussière	Vérifier et nettoyer régulièrement le filtre du condenseur	
	Le débit d'air dans le réfrigérateur est bloqué	Enlever les aliments bloquant le flux d'air	
	L'air ambiant entre dans le réfrigérateur	Vérifier que la porte est fermée	
		Vérifier les dommages aux joints de porte et de tiroir	
	L'évaporateur est givré	Contactez un technicien agréé Lancer un cycle de dégivrage manuel	

HOSHIZAKI

Advance 70-140



VI. ENLÈVEMENT ET REMPLACEMENT

REEMPLACEMENT DE L'AMPOULE INTÉRIEURE

- Couper l'alimentation de l'interrupteur principal ou retirer la fiche du réfrigérateur de la prise.
- Ouvrez la porte.
- Enlever la vis de fixation du diffuseur et ensuite soulevez le diffuseur.
- Assurez-vous que la nouvelle ampoule a la même classification que l'ancienne. La tension et la puissance sont imprimées sur l'ampoule.
- Retirer et remplacer l'ampoule.

ÉLIMINATION DU RÉFRIGÉRATEUR

- Le gaz de refroidissement présent dans le réfrigérateur peut être identifié à partir de la plaque signalétique.
- Ce réfrigérateur est fabriqué à partir de matériaux recyclables conformément aux réglementations de l'UE. Par conséquent, à la fin de sa vie économique, le réfrigérateur doit être confié au centre de recyclage approprié pour l'élimination.
- Ne pas recycler le réfrigérateur en tant que métal ou déchet ménager
- Ne pas compacter le circuit frigorifique de l'installation de refroidissement.

IMPORTANT

Respectez les lois locales et les règlements lors de l'élimination du réfrigérateur.

HOSHIZAKI

Advance 70-140



Tous droits réservés. Hoshizaki se réserve le droit de modifier les caractéristiques, ainsi que les informations présentes dans ce manuel.

Contact

Siège social

Hoshizaki Europe B.V – All other countries in Europe and Africa

TEL: +31 (0)20 6918499

sales@hoshizaki.nl -- <http://hoshizaki-europe.com/>

Filiales

Hoshizaki UK - UK, Ireland

TEL: +44 (0)845 456 05 85

uksales@hoshizaki.co.uk

Hoshizaki Deutschland - Germany, Switzerland, Austria

TEL: +49 (0)5121 697370

vertrieb@hoshizaki.de

Hoshizaki Benelux - Netherlands, Belgium, Luxembourg

TEL: +31 (0)85 0188370

info@hoshizaki.nl

Hoshizaki France - France

TEL: +33 (0)1 48 63 93 80

info@hoshizaki.fr

Hoshizaki Iberia - Spain, Portugal

TEL: +34 (0)93 478 09 52

info@hoshizaki.es

Hoshizaki Denmark - Denmark

TEL: +45 89 88 53 50

salg@hoshizaki.dk

Hoshizaki Norway - Norge

TEL: +47 22 88 17 50

salg@hoshizaki.no

Hoshizaki Sweden - Sverige

TEL: +46 108 84 87 47

OrderSE@hoshizaki.dk

Hoshizaki Italia – Italia

TEL: +39 348 3022156

commerciale@hoshizaki.it

HOSHIZAKI

Advance 70-140



HOSHIZAKI

Advance 70-140



KÜHL- UND TIEFKÜHLGERÄTE

BEDIENUNG-, WARTUNGS- UND MONTAGEANLEITUNG



I.	ALLGEMEINE INFORMATIONEN	44
II.	BEDIENUNGSANLEITUNG	47
III.	WARTUNGSANLEITUNG	52
IV.	TECHNISCHE INFORMATIONEN	54
V.	FEHLERSUCHE	60
VI.	AUSBAU UND AUSTAUSCH	62

Kontaktangaben:

HOSHIZAKI EUROPE B.V.

Adresse: Burgemeester Stramanweg 101 1101 AA Amsterdam, The Netherlands

Tel: +31 (0)20 691 8499

<http://hoshizaki-europe.com/>



HOSHIZAKI


Advance 70-140



I. ALLGEMEINE INFORMATIONEN

PRODUKTBESCHREIBUNGS ETIKETT

1	Produktnummer
2	Produktbeschreibung
3	Modell
4	Kältemittel
5	CO ₂ Äquivalent
6	IP Schutz
7	Klimaklasse
8	Produktionsdatum
9	Gesamtleistung / Strom / Lampenleistung
10	Spannung - Frequenz
11	Heizelemente
12	Systemdruck
13	Treibmittel
14	Seriennummer

PRODUCT NUMBER	1
	
PRODUCT DESCRIPTION	2
MODEL	3
REFRIGERANT	4
CO ₂ EQUIVALENT	5
IP PROTECTION	6
CLIMATE CLASS	7
PRODUCTION DATE	8
TOTAL POWER / CURRENT / LAMP POWER	9
VOLTAGE - FREQUENCY	10
HEATING ELEMENT	11
SYSTEM PRESSURE	12
BLOWING AGENT	13

S/N: 14



HOSHIZAKI EUROPE B.V. Burgemeester Stramanweg 101 1101 AA
Amsterdam, The Netherlands



VERWENDUNGSZWECK

- Das Produkt eignet sich ausschließlich für den Gebrauch in Innenräumen und zur Aufbewahrung von Lebensmitteln und Getränken. Die Aufbewahrungsfächer sind dazu ausgelegt, Produkttemperatur von bereits gekühlten/gefrorenen Produkten beizubehalten.
- Der Hersteller haftet nicht für Schäden aufgrund einer Verwendung, die von den in diesem Handbuch beschriebenen Leitlinien abweicht.
- Bei der Aufbewahrung von Lebensmitteln in diesem Schrank dürfen die Lebensmittel nicht in Kontakt mit dem Schrankgehäuse gelangen.
- Alle Lebensmittel müssen vollständig bedeckt sein. Um eine Verunreinigung und Korrosion an internen Bauteilen zu verhindern, sollten alle Produkte verpackt sein oder in verschlossenen Behältern aufbewahrt werden.
- Keine heißen Lebensmittel oder Flüssigkeiten in diesem Schrank aufbewahren.
- In Kartons und Glasflaschen abgefüllte Getränke sollten nicht bei unter 0 °C (Gefrierpunkt) aufbewahrt werden. Dosen und Glasflaschen können bei Ausdehnung der darin befindlichen Flüssigkeit platzen. Deckelbehälter sollten nicht randvoll gefüllt werden; stattdessen sollte ein wenig Platz für Ausdehnung belassen werden.
- Der Schrank verfügt über eine automatische Abtaufunktion. Das Abtauen kann auch manuell durchgeführt werden. Das manuelle Abtauen beinhaltet keine langfristige Abschaltung des Schanks und ist über die Steuerung möglich. Keinesfalls dürfen Gewalt oder Werkzeuge zum Enteisen des Schanks angewandt werden; Schäden aufgrund eines solchen Vorgehens lassen sich nur schwer beheben.
- Keine mechanischen oder alternativen Abtaumethoden anwenden.
- Das Gerät darf nicht von Personen (einschließlich Kinder) benutzt werden, deren körperliche, sensorische oder mentale Fähigkeiten eingeschränkt sind oder die über keine Erfahrung und kein Wissen verfügen, es sei denn, sie werden von einer für ihre Sicherheit verantwortlichen Person bei der Benutzung des Geräts beaufsichtigt oder angeleitet.
- Kindern darf nicht erlaubt werden, mit dem Gerät zu spielen.
- Reinigungs- und Wartungsarbeiten dürfen von Kindern nicht unbeaufsichtigt durchgeführt werden.

HOSHIZAKI

Advance 70-140



- Dieses Gerät darf nicht von Personen (einschließlich Kindern ab 8 Jahren) benutzt werden, deren körperliche, sensorische oder mentale Fähigkeiten eingeschränkt sind oder die über keine Erfahrung und kein Wissen verfügen, es sei denn, sie werden von einer für ihre Sicherheit verantwortlichen Person bei der sicheren Benutzung des Gerätes beaufsichtigt oder angeleitet.
- Elektrische oder mechanische Änderungen an diesem Schrank lassen die Garantie ungültig werden. Änderungen, die von nicht zugelassenen Technikern durchgeführt werden, oder nicht in dieser Anleitung beschriebene Änderungen lassen die Garantie ebenfalls ungültig werden. Der Hersteller haftet nicht für Schäden, die sich aus Änderungen dieser Art ergeben.

KLIMAKLASSE

Der Schrank ist für den Betrieb innerhalb bestimmter Umgebungstemperatur- und Luftfeuchtigkeitsgrenzen ausgelegt. Diese sind im Klimaklassensystem dargelegt. Die Werte dürfen niemals überschritten werden. Die Klimaklasse dieses Produkts können Sie auf dem Produktbeschreibungsetikett finden. Der Kühlschrank eignet sich nicht für die Verwendung bei einer Umgebungstemperatur unter 16 °C.

Klimaklasse	Umgebungstemperatur und Luftfeuchtigkeit
4	+30°C mit % 55 RH
5	+40°C mit % 40 RH

ERSTE ABNAHME UND KONTROLLEN

Der Schrank wurde zum Versand in schützendem Verpackungsmaterial verpackt. Prüfen Sie bei der Lieferung den Schrank auf etwaige Transportschäden und ob es sich um das von Ihnen bestellte Gerätemodell handelt.

WICHTIG

Alle unten aufgeführten Vorgänge müssen lokale Bestimmungen und Sicherheitsvorschriften vollständig erfüllen. Beachten Sie beim Betrieb des Produkts alle geltenden Sicherheitsvorschriften.

TRANSPORT

Beim Anheben des Produkts mit Maschinen muss zunächst die Hebefähigkeit der Maschine überprüft werden.

WICHTIG

Bei der Verwendung eines Gabelstaplers zum Transportieren des Produkts ist darauf zu achten, dass die Gabeln in die geeigneten Öffnungen in der Palette geführt werden.

Während des Transports ist auf die Stabilität des Produkts zu achten. Wenn der Schwerpunkt nicht in der Mitte des Produkts liegt, kann dieses Produkt leicht kippen. Beim Absenken des Produkts mit einem Gabelstapler langsam und vorsichtig vorgehen.

Sollte ein zur aufrechten Aufstellung vorgesehener Schrank liegend transportiert werden müssen, so muss der Schrank nach dem Transport mindestens 2 Stunden aufrecht stehen gelassen werden, bevor er in Betrieb genommen wird. Der liegende Transport von zur aufrechten Aufstellung vorgesehenen Schränken wird nicht empfohlen, und Schäden, die sich hieraus ergeben, sind nicht durch die Garantie abgedeckt.

ACHTUNG

Die Empfehlungen auf der Außenseite der Transportverpackung sind als Hilfestellung für den Benutzer gedacht. Daher sind folgende Empfehlungen zu beachten:

- Das Produkt vorsichtig tragen.
- Das Produkt trocken halten. Nichts auf der Oberseite des Schrankes aufbewahren.

HOSHIZAKI

Advance 70-140



ÖFFNEN DER VERPACKUNG

- Entfernen Sie die Pappe und andere Verpackungsmaterialien.
- Heben Sie den Schrank an, um ihn von der Palette zu nehmen.
- Stellen Sie den Schrank am gewünschten Ort auf seinem eigenen Sockel auf.
- Prüfen Sie ihn auf sichtbare Schäden.
- Das Verpackungsmaterial kann den örtlichen Vorschriften gemäß dem Wertstoffkreislauf zugeführt werden.
- Prüfen Sie, dass der Produktcode und die Seriennummer mit den Angaben in den Lieferdokumenten übereinstimmen.

Marke			HOSHIZAKI			
Modellname			Advance K70	Advance K140	Advance F70	Advance F140
Vorgesehene Verwendung			Lagerung	Lagerung	Lagerung	Lagerung
Kühltemperatur			X	X		
Gefriertemperatur					X	X
Mehrzweckschrank						
Vertikaler Schrank			X	X	X	X
Tischschrank						
Parameter	<u>Symbol</u>	<u>Einheit</u>				
Energieeffizienzklasse	EEC	-	C	C	D	D
Energieeffizienzindex	EEl	-	42,41	48,32	67,46	67,44
Energieverbrauch in 24 Stunden	E24h	kWh	1,5	2,54	6,546	9,98
Jährlicher Energieverbrauch	AEC	kWh	548	926	2389	3642
Nettovolumen für Fach 1	Vn or Vn1	litre	415	398	420	398
Nettovolumen für Fach 2	Vn2	litre	-	398	-	398
Nettovolumen für Fach 3	Vn3	litre	-	-	-	-
Nettovolumen für Fach 4	Vn4	litre	-	-	-	-
Nettovolumen gesamt	VnT	litre	415	797	420	797
Klimaklasse	CC		5	5	5	5
Kältemittel			R290	R290	R290	R290
Ladung		kg	0.058	0.085	0.082	0.105
GWP			3	3	3	3
CO ₂ -Äquivalent		CO ₂	0,174	0,255	0,246	0,315
Hochleistungsbetrieb; dieses Gerät ist für die Verwendung bei Umgebungstemperaturen bis zu 40 °C vorgesehen			X	X	X	X
Kontaktangaben:	HOSHIZAKI EUROPE B.V. Address: Burgemeester Stramanweg 101 1101 AAAmsterdam, The Netherlands Tel.: +31 (0)20 6918499 http://hoshizaki.europe.com/					

HOSHIZAKI

Advance 70-140



II. BEDIENUNGSANLEITUNG

ELEKTRIZITÄT

Vor dem Anschließen des Produkts an das Stromnetz sollten Sie prüfen, dass die auf dem Produktbeschreibungsetikett vorgegebene Stromversorgung der lokalen Netzversorgung entspricht.

Das Produktbeschreibungsetikett mit der vorgegebenen Stromversorgung befindet sich im Inneren des Schrankes oben links.

Die Installation des Produkts darf nur von qualifizierten und geschulten Wartungskräften gemäß den Vorgaben in dieser Anleitung durchgeführt werden.

Die elektrische Sicherheit dieses Schrankes ist nur gegeben, wenn er gemäß den aktuellen örtlichen Gesetzen und Vorschriften geerdet ist.

Die Erdung des Produkts ist in jedem Fall erforderlich.

Der Hersteller haftet nicht für Schäden, die sich aus fehlerhafter Erdung ergeben.

Halten Sie alle Anforderungen bezüglich der Stromversorgung gemäß den örtlichen Vorschriften ein. Der Netzstecker des Produkts und die Steckdose müssen den passenden Erdungsanschlusswert aufweisen. Ziehen Sie bei Bedarf einen qualifizierten Elektriker hinzu.

ALLGEMEINE VORBEREITENDE PRÜFUNGEN

Der Schrank muss aufrecht auf einem ebenen Boden stehen. Bei Bedarf können die einstellbaren Füße zur Nivellierung verwendet werden. Alle Füße müssen in Bodenkontakt sein. Dies ist für den einwandfreien Betrieb der Schranktür erforderlich.

Stellen Sie den Schrank nicht in der Nähe von Wärme erzeugenden Geräten wie einem Ofen, einem Grill oder einer Fritteuse auf. Setzen Sie den Schrank keinem direkten Sonnenlicht aus. Der Schrank ist mit geeignetem Isoliermaterial vor von den Wänden oder dem Boden abgestrahlter Wärme zu schützen. Der Schrank muss so weit wie möglich von jeder Wärmequelle entfernt aufgestellt werden.

Wird der Schrank umgestellt, so warten Sie drei Stunden, bevor Sie ihn wieder einschalten. Entfernen Sie Kunststoffschutz und Klebeband von der Außenseite.

Sorgen Sie dafür, dass der Schrank so aufgestellt wird, dass genügend frische Luft zum Kühlkreislauf und zu den Oberflächen des Schrankes gelangen und davon abgeleitet werden kann. Lassen Sie über dem Schrank mindestens 500 mm Platz.

Wenn zwei Kühl- oder Gefrierschränke nebeneinander aufgestellt werden, lassen Sie mindestens 50 mm Platz zwischen ihnen.

Die Belüftungsöffnungen dürfen nicht blockiert werden.

HOSHIZAKI

Advance 70-140



VORBEREITENDE PRÜFUNGEN DER ELEKTRIK

- Prüfen Sie, dass die Netzspannung und die Frequenz der Steckdose mit den Angaben auf dem Produktbeschreibungsetikett übereinstimmen.
- Der Schrank wird mit einer 13- bis 16-Ampere-Sicherung in Reihe mit einer Netzsteckdose verbunden.
- Schalten Sie die mit dem Netzkabel verbundene Netzstromsicherung aus.
- Prüfen Sie, dass der Stecker am Schrank für die Verwendung mit der verfügbaren Netzsteckdose geeignet ist und sie zusammen passen.

ERSTE INBETRIEBNAHME UND KONTROLLEN

Der Schrank kann nach Abschluss der obenstehenden Prüfungen in Betrieb genommen werden.

Der EIN/AUS-Schalter schaltet den Schrank ein.

Nach dem Einschalten des Schrankes nimmt der Kompressor seinen Betrieb auf. Der Kompressor arbeitet, bis die werkseitig voreingestellte Temperatur erreicht ist. Lebensmittel sollten erst in den Schrank gelegt werden, wenn eine für die zu kühlenden Lebensmittel geeignete Temperatur eingestellt wurde.

Die neue Temperatur kann mithilfe der Steuerung wie in dieser Anleitung beschrieben eingestellt werden.

WICHTIG

- Legen Sie erst dann Lebensmittel in das Produkt, wenn es sich auf die eingestellte Temperatur abgekühlt hat.
- Die maximale Aufnahmekapazität darf nicht überschritten werden. Die maximale Tragfähigkeit der Regale beträgt 40 kg pro Regal bei gleichmäßiger Belastung in aufrecht gestellten Schränken und 20 kg bei Regalen und Schubladen in Tischschränken.
- Lesen Sie den Abschnitt „Allgemeine vorbereitende Prüfungen“ dieser Anleitung für Informationen zum Platzbedarf um das Produkt für eine gute Belüftung.
- Lagern Sie keine explosiven Stoffe wie Spraydosen mit einem brennbaren Treibmittel in diesem Schrank.

WARNUNG:

- Blockieren Sie niemals die Belüftungsöffnungen am Gerät.
- Zum Beschleunigen des Abtauvorgangs ausschließlich die vom Hersteller empfohlenen mechanischen Geräte oder anderen Mittel verwenden.
- Den Kältekreislauf nicht beschädigen.
- Verwenden Sie im Inneren des Schrankes keine elektrischen Geräte.

AUFBEWAHRUNGSBEDINGUNGEN UND LEISTUNG

Die richtigen Aufbewahrungsbedingungen sind nicht nur für Lebensmittelhygiene und -sicherheit entscheidend, sondern verbessern auch die Leistung und reduzieren den Energieverbrauch. Die beste Leistung lässt sich durch Beachtung der folgenden Tipps und Hinweise erzielen: Legen Sie Lebensmittel nur auf die Regale und niemals auf den Boden des Schrankes.

Lebensmittel sollten so in den Schrank gelegt werden, dass Luft um sie herum zirkulieren kann; lassen Sie daher Platz zwischen den Lebensmitteln und den Wänden des Produkts. Der Abstand zwischen den Regalen lässt sich bei Bedarf ändern.

HOSHIZAKI

Advance 70-140



BEDIENFELD



Das Bedienfeld bietet die folgenden Bedienelemente und Funktionen:

1. SET-Taste
 - Eingabe/Einstellung von Werten
2. EIN/AUS-Taste
 - Zum Ein- oder Ausschalten des Schrankes 4 Sekunden lang gedrückt halten
3. ABWÄRTS-Taste
 - Zum Herunterscrollen im Menü oder Ändern/Verringern des Werts
4. AUFWÄRTS-Taste
 - Zum Heraufscrollen im Menü oder Ändern/Erhöhen des Werts
 - 4 Sekunden lang drücken, um das MANUELLE ABTAUEN zu starten

FUNKTIONEN AN DER FRONTPLATTE

Das Bedienfeld kann gesperrt und entsperrt werden.

Bedienelemente sperren:

- Sicherstellen, dass kein Betriebsvorgang im Gange ist
- 30 Sekunden lang nicht bedienen
- Das Display zeigt 1 Sekunde lang „LOC“ an; die Tasten werden automatisch gesperrt

Bedienelemente entsperrern:

- Eine beliebige Taste eine Sekunde lang berühren. Das Display zeigt 1 Sekunde lang „UNL“ an

EINSTELLUNG DER TEMPERATUR

1. Das Bedienfeld muss entsperrt sein und es darf kein Betriebsvorgang im Gange sein.
2. Berühren Sie die SET-Taste; die * LED blinkt.
3. Ändern Sie die Temperatureinstellung mit dem AUFWÄRTS- und ABWÄRTS-Pfeil.
4. Berühren Sie die SET-Taste oder nehmen Sie 15 Sekunden lang keine Bedienung vor. Die * LED erlischt und die Steuerung beendet den Vorgang.
5. So beenden Sie den Vorgang zur Temperatureinstellung vorzeitig:
 - a. Berühren Sie die EIN/AUS-Taste (eventuelle Änderungen werden nicht gespeichert). Der Betriebssollwert kann auch über den Parameter SP eingestellt werden.

HOSHIZAKI

Advance 70-140



TEMPERATURANZEIGE (durch Sonden gemessen)

1. Das Bedienfeld muss entsperrt sein und es darf kein Betriebsvorgang im Gange sein.
2. Drücken Sie 4 Sekunden lang den ABWÄRTS-Pfeil: Das Display zeigt die erste verfügbare Sonde an.
3. Wählen Sie mit dem AUFWÄRTS- und ABWÄRTS-Pfeil die richtige Sonde aus.
4. Drücken Sie die SET-Taste.

Diese Tabelle zeigt die Codes für die einzelnen Sonden.

Hinweisschild	Angezeigte Temperatur
Pb1	Schranktemperatur
Pb2	Verdampfertemperatur

Um den Vorgang zu beenden, drücken Sie 60 Sekunden lang die SET-Taste oder führen Sie 60 Sekunden lang keine Bedienung aus. Drücken Sie dann die EIN/AUS-Taste.

Hinweis: Wenn die Verdampfersonde nicht vorhanden ist, wird der Code Pb2 nicht angezeigt.

TEMPERATURALARME

Dies ist eine Liste der am Schrank angezeigten Alarme.

KODE	ALARMTYP	KRITISCHER WERT
AL	Niedrigtemperaturalarm	Bei diesem Alarm ist die Kabinentemperatur niedrig
AH	Hochtemperaturalarm	Bei diesem Alarm ist die Kabinentemperatur hoch
ld	Alarm wegen geöffneter Tür	Bei diesem Alarm ist die Kabinentemperatur auf

Die Alarmaufzeichnung erfolgt nur bei eingeschaltetem Schrank.

Wenn die Ursache für den Alarm nicht länger besteht, kehrt der Schrank zum normalen Betrieb zurück.

ZUGRIFF AUF DEN ALARMVERLAUF

1. Drücken Sie 2 Sekunden lang die ABWÄRTS-Taste, um den ersten Code aufzurufen
2. Drücken Sie kurz die AUFWÄRTS-Taste oder wählen Sie durch Drücken der ABWÄRTS-Taste LS
3. Drücken Sie kurz die SET-Taste: Einer der obenstehenden Codes wird angezeigt.

Um einen Alarm auszuwählen, drücken Sie die AUFWÄRTS-Taste, bis AH angezeigt wird.

Um die Alarminformationen aufzurufen, drücken Sie kurz die SET-Taste (die HACCP-LED hört auf zu blinken).

ANZEIGETEXTE UND IHRE BEDEUTUNG

8,0	Kritische Werte 8,0 °C/°F
Dur	Auf dem Display erscheint die Alarmzeit
h01	Alarm 1 Stunde (Forts.)
n15	Alarm 1 Stunde und 15 Minuten
AH	Ausgewählter Alarm

HOSHIZAKI

Advance 70-140



Um die Verlaufsanzeige zu verlassen, drücken Sie mehrmals kurz die EIN/STANDBY-Taste.

Um den Prozess zu beenden, drücken Sie mehrmals die AUFWÄRTS- oder ABWÄRTS-Taste, bis auf dem Display die Schranktemperatur erscheint, oder warten Sie 60 Sekunden lang ohne Bedienung einer Taste.

Alternative Methode zum Beenden: Drücken Sie kurz die EIN/STANDBY-Taste. Wenn keine aufgezeichneten Alarme vorliegen, wird der LS-Code nicht angezeigt.

FEHLERCODES

Code	Beschreibung
Pr1	Schranksondenfehler
Pr2	Verdampfersondenfehler

Nur qualifizierte Techniker können diese Fehler beheben.

BETRIEBSSTATUS

Die verfügbaren Betriebsstatus sind im Folgenden aufgeführt:

Status	Beschreibung
EIN	Der Schrank wird mit Strom versorgt und ist in Betrieb
STANDBY	Der Schrank wird mit Strom versorgt, ist jedoch
AUS	Der Schrank wird nicht mit Strom versorgt, der Stecker ist nicht an die Steckdose angeschlossen

WICHTIG

Führen Sie keine Wartungs- oder Reparaturarbeiten durch, wenn der Schrank eingeschaltet oder im Standby ist. Arbeiten dürfen nur ausgeführt werden, wenn der Schrank vollständig von der Stromversorgung getrennt ist.

HOSHIZAKI

Advance 70-140



III. WARTUNGSANLEITUNG

Dieser Abschnitt richtet sich insbesondere an Eigentümer/Benutzer des Produkts. Er liefert wichtige Informationen zur richtigen Nutzung und Maximierung der Lebensdauer des Produkts.

Wir empfehlen, technische Wartungen aufgrund der mechanischen und elektrischen Gefahren durch angemessen geschultes Personal durchführen zu lassen.

Einige einfache Schritte bei Nutzung und Einstellung können die Notwendigkeit teurer Reparaturen durch Wartungstechniker reduzieren. Diese Schritte verlangen kein besonderes technisches Fachwissen.

WICHTIG

WARNUNG: Das Gerät muss bei der Reinigung oder Wartung und beim Ersetzen von Teilen von der Stromversorgung getrennt werden. Der Netzstecker muss in einer Weise getrennt werden, dass ein Bediener sich von allen Stellen aus, die für ihn zugänglich sind, vergewissern kann, dass der Stecker nach wie vor getrennt ist.

Vergewissern Sie sich vor der Reinigung oder Wartung des Produkts unbedingt, dass die Stromversorgung deaktiviert wurde und nicht versehentlich durch andere Personen wiederhergestellt werden kann.

ACHTUNG

Reinigen Sie das Produkt nicht mit Hochdruckwasser. Vermeiden Sie jede Möglichkeit, dass elektrische Bauteile bespritzt werden.

REINIGUNG

- Es wird empfohlen, das Innere des Schrankes regelmäßig mit desinfizierendem Reinigungsmittel zu säubern. Die Reinigung des Schrankinneren sollte mit warmem, leicht seifigem Wasser erfolgen.
- Es dürfen nur Reinigungsmittel mit neutralem pH-Wert oder leicht alkalische Reiniger zum Reinigen des Inneren und des Äußeren des Schrankes verwendet werden.
- Schäden durch Reinigungsprodukte mit Chemikalien, die Edelstahl beschädigen könnten, werden nicht durch die Garantie abgedeckt.
- Verwenden Sie niemals Metallutensilien, Metallscheuerschwämme oder scheuernde Reiniger oder Pulver.
- Schmutz lässt sich mit einem feuchten Tuch entfernen.
- Halten Sie die Lüftungsgitter des Schrankes stets frei und sauber.
- Die Regale lassen sich zur einfacheren Reinigung entfernen.
- Achten Sie darauf, dass sowohl die Regalträger als auch die Regale selbst gründlich gereinigt werden.

WICHTIG

Das Produkt ist aus Edelstahl hergestellt. Bei normaler Benutzung rostet Edelstahl nicht; bei Verwendung korrosiver Reinigungsmittel kann jedoch Rost entstehen.

ROUTINEMÄSSIGE WARTUNG

VERFLÜSSIGER

Es ist äußerst wichtig, dass der Verflüssiger eine maximale Wärmeübertragung leisten kann. Daher muss die Oberfläche des Verflüssigers stets frei und sauber sein. Aufgrund des Gebläses sammelt sich Staub an auf und zwischen den Verflüssigerlamellen. Zum Reinigen des Verflüssigers kann ein Staubsauger mit Bürstenaufsatz verwendet werden.

HOSHIZAKI

Advance 70-140



TÜR-/SCHUBLADENDICHTUNGEN

Eine Dichtung in gutem Zustand verhindert das Eindringen von Feuchtigkeit und warmer Luft in den Schrank und ist daher für den sparsamen Betrieb des Schrankes entscheidend.

NETZKABEL

Ist das Netzkabel beschädigt, muss es vom Hersteller oder seinem Wartungsvertreter oder einer ähnlich qualifizierten Person ersetzt werden, um eine Gefahr auszuschließen.

VORBEREITUNG BEI LÄNGERER NICHTBENUTZUNG

- Schalten Sie das Gerät am Haupttrennschalter aus oder ziehen Sie den Stecker des Schrankes aus der Steckdose.
- Nehmen Sie alle Lebensmittel aus dem Schrank.
- Reinigen Sie den Schrank (siehe Abschnitt zur Reinigung).
- Entfernen Sie am Kompressor angesammelten Staub und Schmutz.

Schließen Sie die Tür nicht vollständig, um unangenehme Gerüche zu vermeiden.

ACHTUNG

Beachten Sie beim Trennen des Produkts von der Stromversorgung, dass Tauwasser vom Schrank auf den Boden tropfen kann. Dies kann den Boden beschädigen und rutschig werden lassen.

HOSHIZAKI

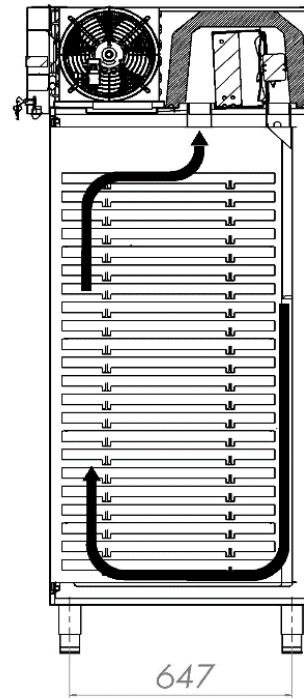
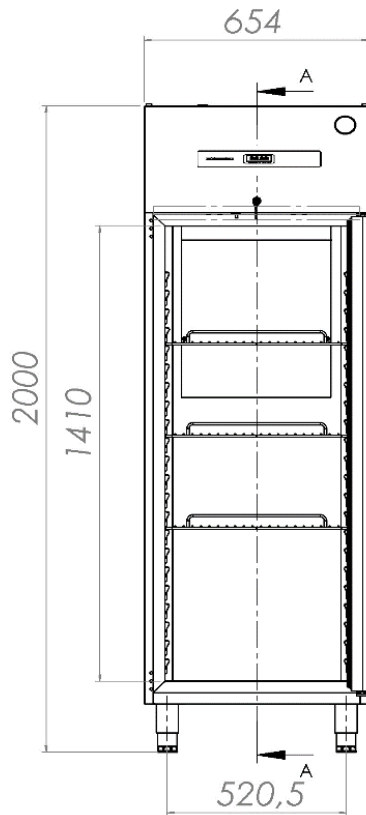
Advance 70-140



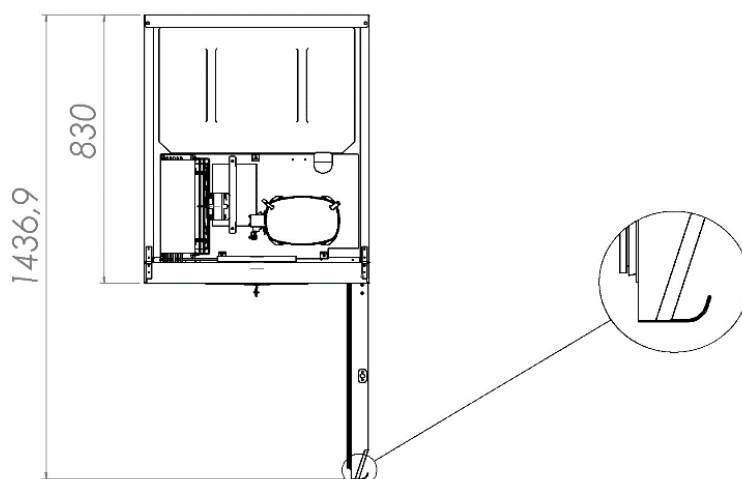
IV. TECHNISCHE INFORMATIONEN

ABMESSUNGEN DER PRODUKTE

ADVANCE K70 & ADVANCE F70



SECTION A-A

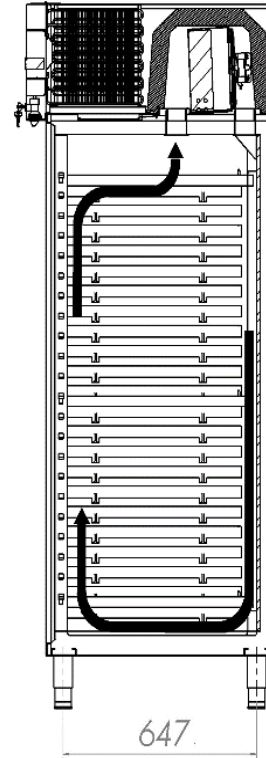
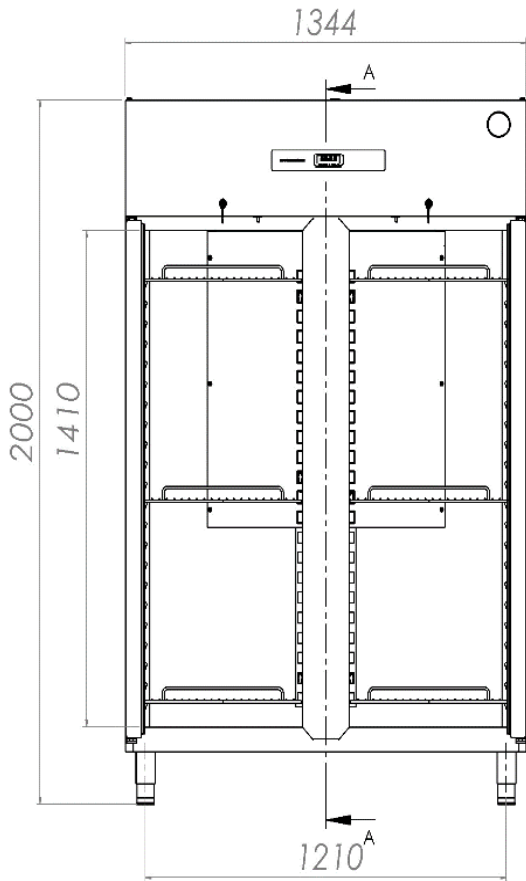


HOSHIZAKI

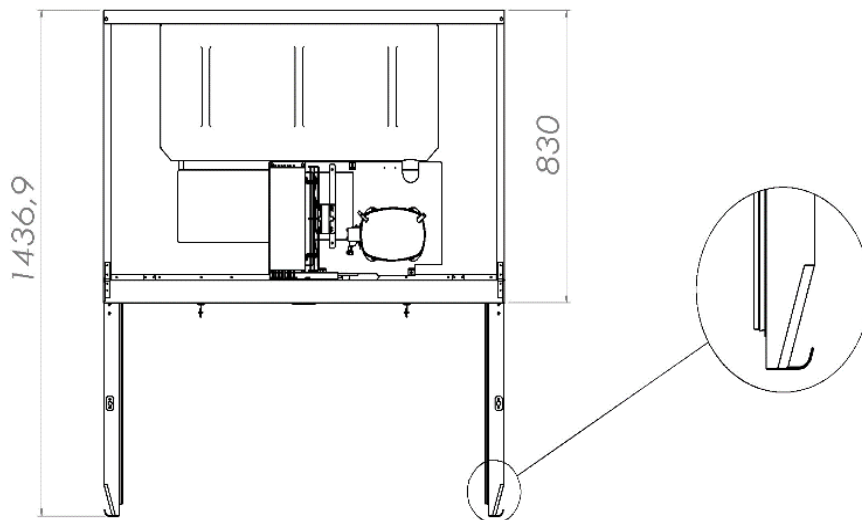
Advance 70-140



ADVANCE F140



SECTION A-A

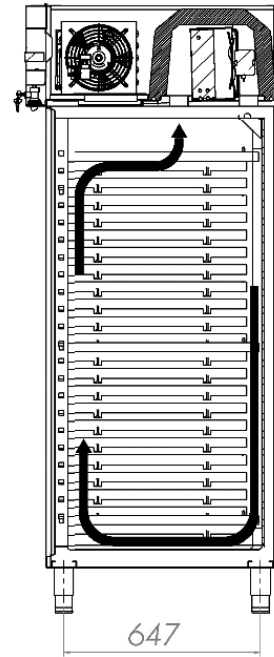
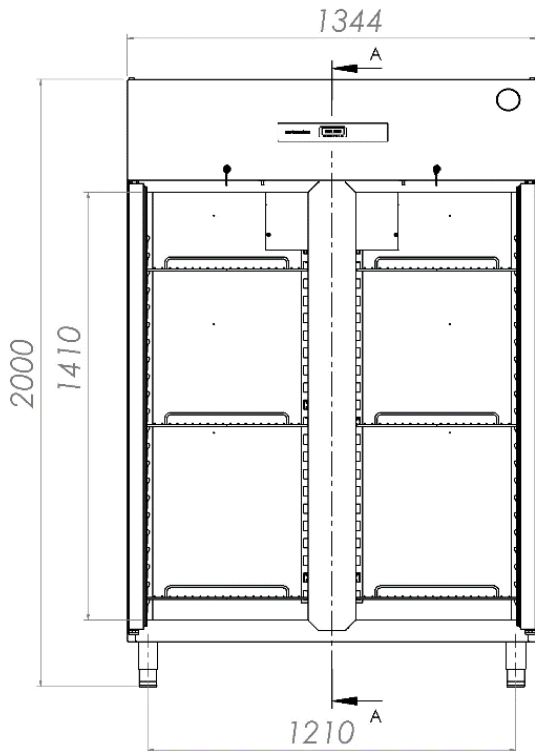


HOSHIZAKI

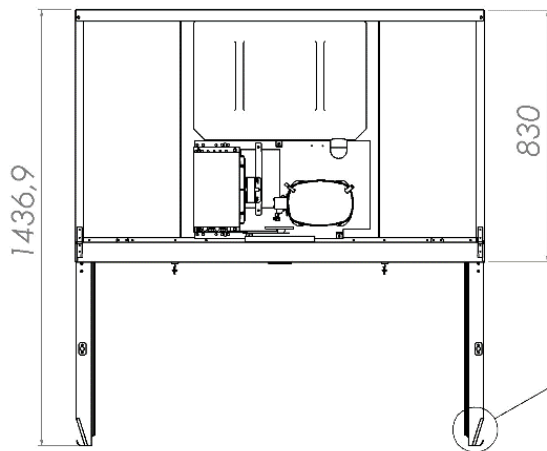
Advance 70-140



ADVANCE K140



SECTION A-A

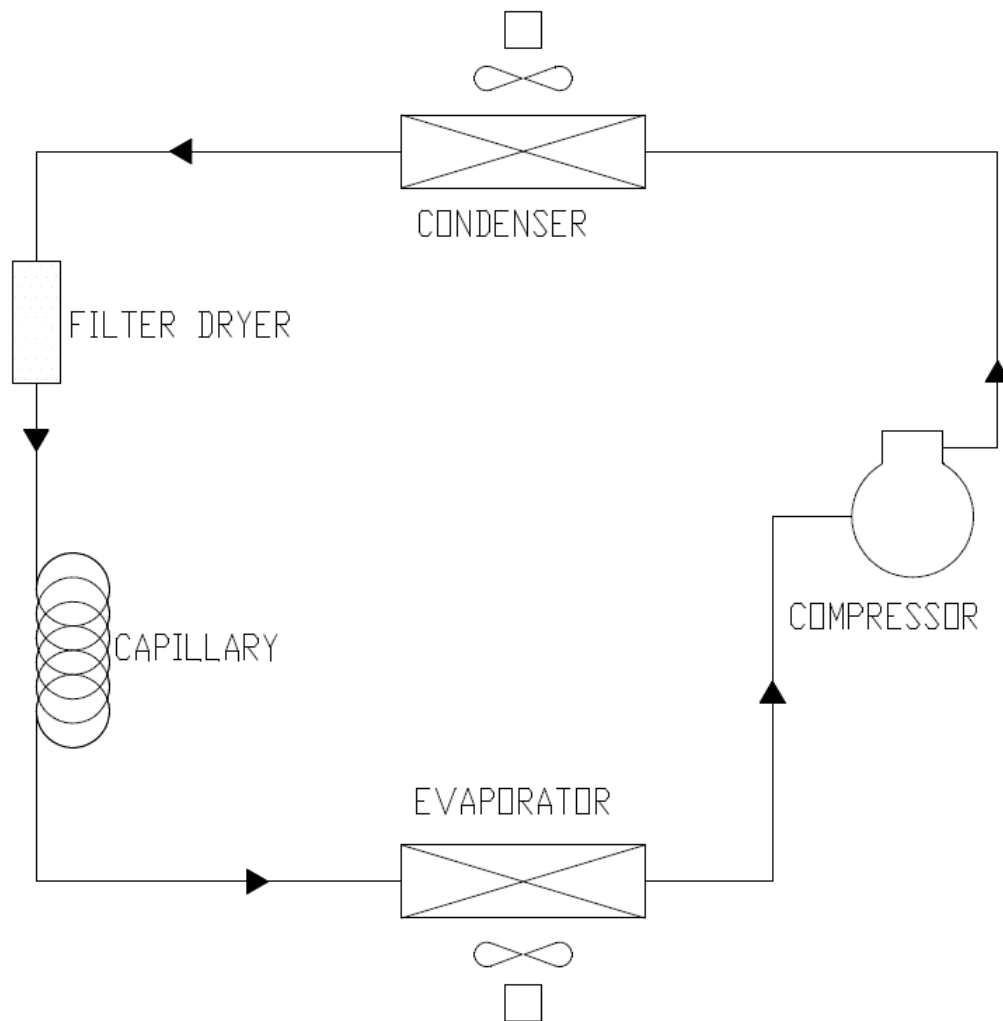


HOSHIZAKI

Advance 70-140



Standard-Kühlsystem



- 1 Verdichter (Compressor)
- 2 Verflüssiger (Condenser)
- 3 Filtertrockner (Filter Dryer)
- 4 Kapillar (Capillary)
- 5 Verdampfer (Evaporator)

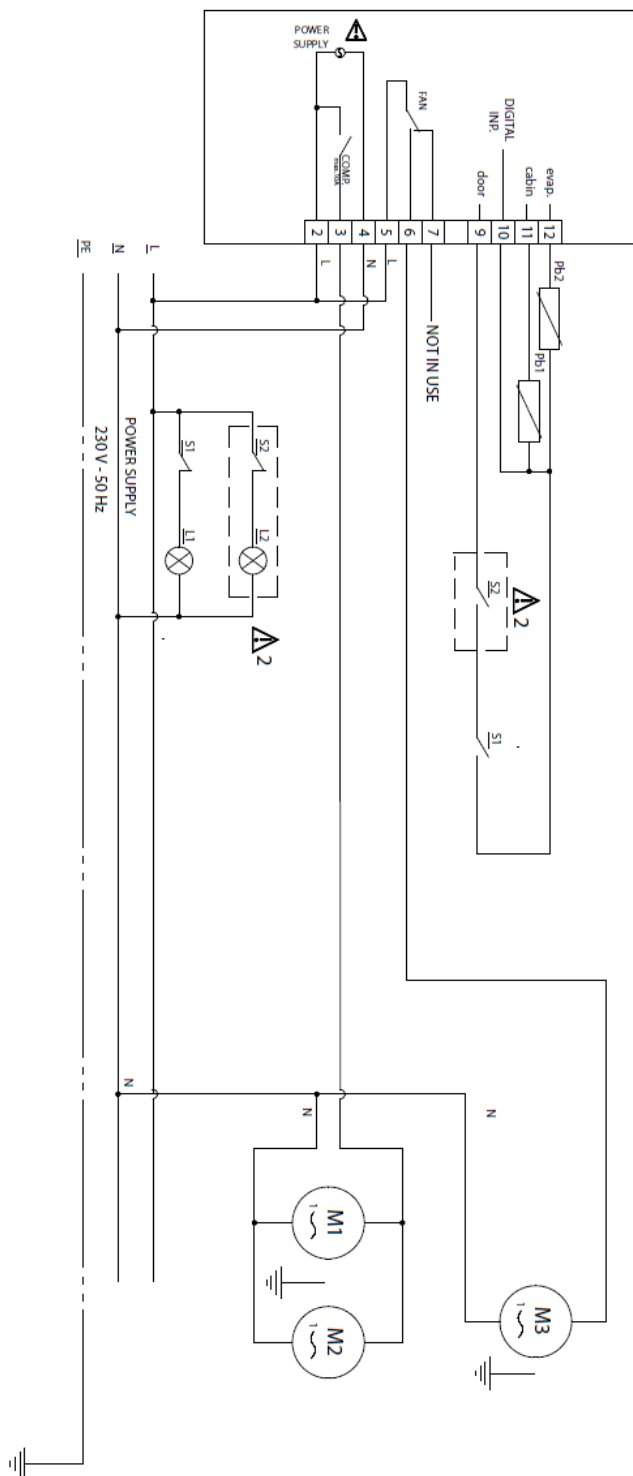
HOSHIZAKI

Advance 70-140



ELEKTRIZITÄT TECHNISCHE ELEMENTE

ADVANCE K70 / ADVANCE K140 MODELS WIRING DIAGRAM
EVCO EV3B22N7VXW Model Digital Thermostat



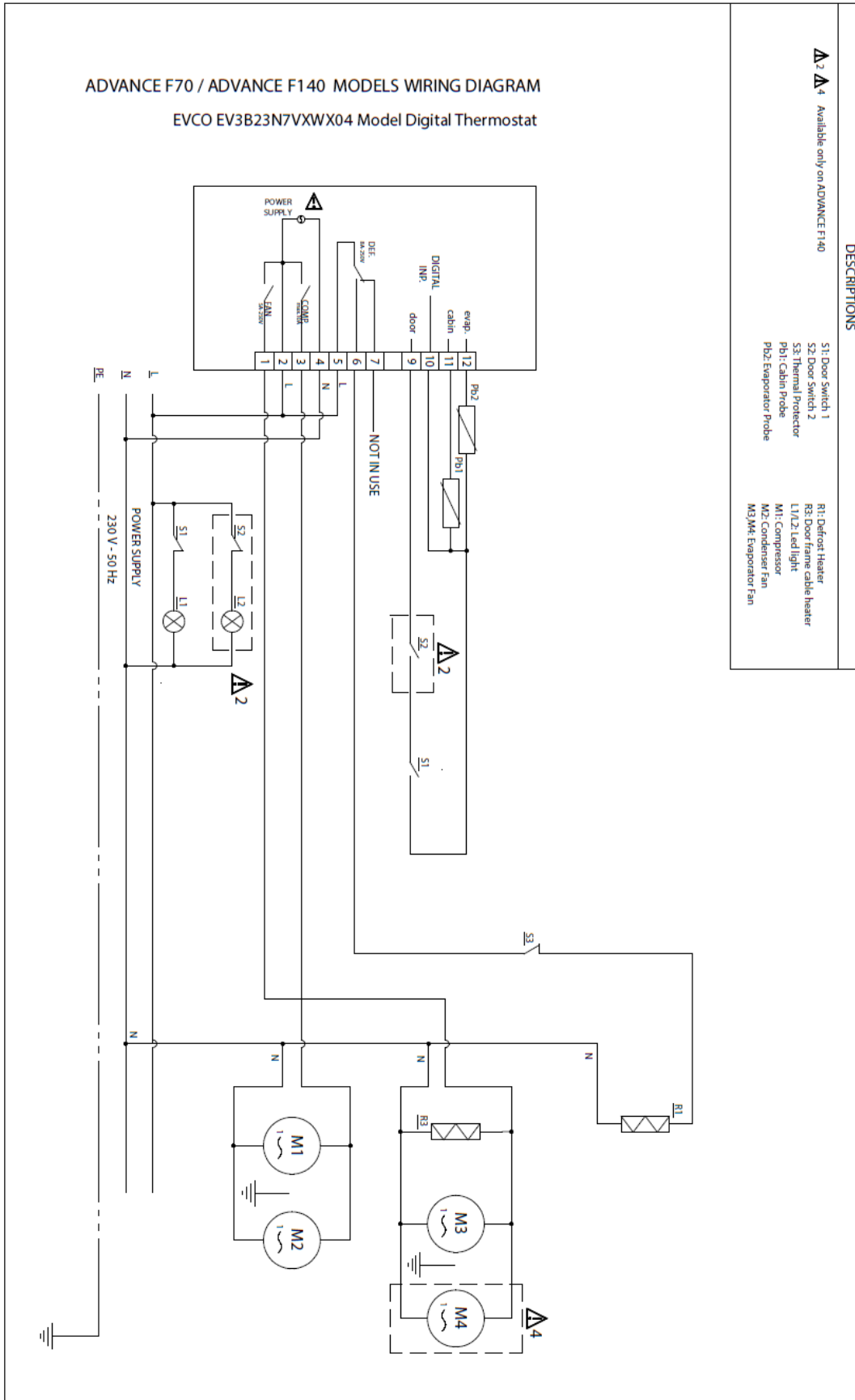
- △ 2 Available only on ADVANCE K140
- | | |
|-----------------------|--------------------|
| S1: Door switch 1 | L1/L2: Led light |
| S2: Door switch 2 | M1: Compressor |
| Ph1: Cabin probe | M2: Condenser fan |
| Ph2: Evaporator probe | M3: Evaporator fan |

DESCRIPTIONS

HOSHIZAKI Advance 70-140



ELEKTRIZITÄT TECHNISCHE ELEMENTE



HOSHIZAKI

Advance 70-140



IV. FEHLERSUCHE

In der Tabelle unten sind einige Probleme aufgeführt, die auftreten können. Wenn ein Alarmcode angezeigt wird, ist eine Störung aufgetreten. Beheben Sie alle möglichen Ursachen, bevor Sie den Schrank zurücksetzen. Mögliche Ursachen und Abhilfemaßnahmen sind unten aufgeführt.

Wenn ein Fehlercode auch nach Durchführung der folgenden Prüfungen weiterhin angezeigt wird, wenden Sie sich an einen zugelassenen Techniker. Sie müssen die Art der Fehlermeldung feststellen. Auf dem Typenschild des Produkts finden Sie Angaben zum Produkt wie etwa die Seriennummer.

PROBLEM	MÖGLICHE URSACHE	LÖSUNG	
Der Schrank funktioniert nicht	Der Schrank wird nicht mit Strom versorgt	Prüfen, ob Netzstecker und Kabel in Ordnung sind	
Der Kompressor hört fast nie auf zu arbeiten	Die Umgebungstemperatur ist zu hoch	Die Belüftung muss verbessert werden	
	Der Verflüssiger oder der Verflüssigerfilter ist verstopft	Prüfen und reinigen Sie den Verflüssigerfilter regelmäßig	
	Geringer Kältemittelfüllstand	Einen zugelassenen Techniker rufen, um Lecks zu beheben	
	Die Türdichtungen schließen nicht richtig	Einen zugelassenen Techniker rufen, um die Dichtungen austauschen zu lassen	
	Eisbildung am Verdampfer		Keine heißen Lebensmittel in den Schrank legen
			Keine Lebensmittel mit hohem Wassergehalt in den Schrank legen, solange sie nicht in verschlossenen Behältern aufbewahrt werden
		Einen manuellen Abtauzyklus starten	
Überlaufendes Wasser aus der Verflüssigerwasserschale	Häufiges Abstellen von heißen Lebensmittel im Schrank	Keine heißen Lebensmittel in den Schrank legen Lebensmittel mit hohem Wassergehalt nur in verschlossenen Behältern im Schrank aufbewahren	
	Häufiges Öffnen von Tür oder Schubladen	Prüfen, ob die technischen Daten des Schrankes die derzeitige Nutzungsweise zulassen	
Schranktemperatur hoch	Der Verflüssiger ist durch Schmutz und Staub verstopft	Prüfen und reinigen Sie den Verflüssigerfilter	
	Die Luftströmung im Schrank ist blockiert	Lebensmittel entfernen, die die Luftströmung behindern	
	Umgebungsluft dringt in den Schrank ein		Darauf achten, dass die Tür geschlossen ist
			Dichtungen an Tür und Schubladen auf Schäden prüfen
			Einen zugelassenen Techniker rufen
	Eisbildung am Verdampfer	Einen manuellen Abtauzyklus starten	

HOSHIZAKI

Advance 70-140



V. AUSBAU UND AUSTAUSCH

ERSETZEN DER LAMPE IM INNEREN

- Schalten Sie das Gerät am Haupttrennschalter aus oder ziehen Sie den Stecker des Schrankes aus der Steckdose.
- Die Tür öffnen.
- Entfernen Sie die Schraube, die die Lampenabdeckung hält, und heben Sie die Abdeckung an.
- Achten Sie darauf, dass die neue Lampe dieselbe Bemessung wie die alte aufweist. Spannung und Wattzahl sind auf der Lampe angegeben.
- Entfernen Sie die Lampe und ersetzen Sie sie.

ENTSORGUNG DES SCHRANKS

- Am Typenschild ist angegeben, welches Kältegas im Schrank vorhanden ist.
- Der Schrank ist gemäß den EU-Bestimmungen aus wiederverwertbaren Materialien hergestellt. Am Ende seiner Lebensdauer muss der Schrank daher zur Entsorgung zu einer Wertstoffsammelstelle gebracht werden.
- Entsorgen Sie den Schrank nicht als Metall oder Haushaltsmüll.
- Kompaktieren Sie nicht den Kältemittelkreislauf der Kühlanlage.

WICHTIG

Halten Sie sich bei der Entsorgung des Schrankes an die örtlichen Vorschriften und Bestimmungen.

HOSHIZAKI

Advance 70-140



Alle Rechte vorbehalten. Hoshizaki behält sich das Recht der Änderung von Merkmalen und Informationen in dieser Anleitung vor.

Kontaktangaben

Hauptsitz

Hoshizaki Europe B.V – All other countries in Europe and Africa

TEL: +31 (0)20 6918499

sales@hoshizaki.nl -- <http://hoshizaki-europe.com/>

Niederlassungen

Hoshizaki UK - UK, Ireland

TEL: +44 (0)845 456 05 85

uksales@hoshizaki.co.uk

Hoshizaki Deutschland - Germany, Switzerland, Austria

TEL: +49 (0)5121 697370

vertrieb@hoshizaki.de

Hoshizaki Benelux - Netherlands, Belgium, Luxembourg

TEL: +31 (0)85 0188370

info@hoshizaki.nl

Hoshizaki France - France

TEL: +33 (0)1 48 63 93 80

info@hoshizaki.fr

Hoshizaki Iberia - Spain, Portugal

TEL: +34 (0)93 478 09 52

info@hoshizaki.es

Hoshizaki Denmark - Denmark

TEL: +45 89 88 53 50

salg@hoshizaki.dk

Hoshizaki Norway - Norge

TEL: +47 22 88 17 50

salg@hoshizaki.no

Hoshizaki Sweden - Sverige

TEL: +46 108 84 87 47

OrderSE@hoshizaki.dk

Hoshizaki Italia – Italia

TEL: +39 348 3022156

commerciale@hoshizaki.it

HOSHIZAKI

Advance 70-140



HOSHIZAKI

Advance 70-140



REFRIGERADORES Y CONGELADORES

MANUAL DE OPERACIÓN, MANTENIMIENTO E INSTALACIÓN



I.	INFORMACIÓN GENERAL	65
II.	INSTRUCCIONES DE FUNCIONAMIENTO	68
III.	INSTRUCCIONES DE MANTENIMIENTO	74
IV.	INFORMACIÓN TÉCNICA	76
V.	DIAGNÓSTICO DE MANTENIMIENTO Y REPARACIÓN	81
VI.	DESMONTAJE Y SUSTITUCIÓN	82

Detalles de Contacto:
HOSHIZAKI EUROPE B.V.
Dirección: : Burgemeester Stramanweg 101 1101 AA Amsterdam, The Netherlands
Tel: +31 (0)20 691 8499 <http://hoshizaki-europe.com/>



HOSHIZAKI


Advance 70-140



I. INFORMACIÓN GENERAL

ETIQUETA DE DESCRIPCIÓN DEL PRODUCTO

1 Número de producto
2 Descripción del producto
3 Modelo
4 Refrigerante (GWP)
5 Equivalente de CO2
6 Protección IP
7 Clase climática
8 Fecha de producción
9 Potencia total / Corriente / Potencia de la lámpara
10 Voltaje - Frecuencia
11 Elemento calefactor
12 Presión del sistema
13 Agente de soplado
14 Número de serie

PRODUCT NUMBER	1
	
PRODUCT DESCRIPTION	2
MODEL	3
REFRIGERANT	4
CO2 EQUIVALENT	5
IP PROTECTION	6
CLIMATE CLASS	7
PRODUCTION DATE	8
TOTAL POWER / CURRENT / LAMP POWER	9
VOLTAGE - FREQUENCY	10
HEATING ELEMENT	11
SYSTEM PRESSURE	12
BLOWING AGENT	13

S/N: 14



HOSHIZAKI EUROPE B.V. Burgemeester Stramanweg 101 1101 AA
Amsterdam, The Netherlands



LA FINALIDAD DE USO

- Este producto debe utilizarse en interiores, única y exclusivamente con la finalidad de almacenar alimentos y bebidas. Unidades de almacenamiento diseñadas para mantener el producto ya a la temperatura del frigorífico/congelador.
- El fabricante no se hace responsable por los daños derivados de un uso contrario a lo indicado en este manual.
- Cuando almacene alimentos en este armario, procure que nunca entren en contacto con la estructura del mismo.
- Todos los alimentos deben estar totalmente recubiertos. Para evitar la contaminación y la corrosión de los componentes internos, todo el producto debe envolverse o almacenarse en recipientes herméticos.
- No almacene alimentos o líquidos calientes en este armario.
- Las bebidas almacenadas en cajas y las botellas de cristal no deben almacenarse a temperaturas inferiores a los 0 °C (punto de congelación). Las latas y las botellas de cristal pueden estallar debido a la expansión. Los recipientes con tapas no deben llenarse totalmente: debe dejarse un pequeño espacio para la expansión.
- Este armario dispone de una función de autodescongelación automática. También es posible realizar una descongelación manual. Para la descongelación manual no es necesario desactivar el armario durante largos períodos de tiempo, sino que puede realizarse a través del controlador. Bajo ninguna circunstancia deben utilizarse herramientas manuales para descongelar este armario, ya que los daños resultantes podrían ser muy difíciles de reparar.
- No utilice ningún medio mecánico ni alternativo de descongelación.
- El aparato no debe ser utilizado por personas (incluidos los niños) con capacidades físicas, sensoriales o mentales reducidas, o con falta de experiencia y conocimientos, o bien que carezcan de experiencia o conocimientos adecuados, a menos que hayan recibido supervisión o instrucciones.
- Debe vigilarse que los niños no jueguen con el aparato.
- Los niños sin supervisión no deben realizar la limpieza ni el mantenimiento de usuario.

HOSHIZAKI

Advance 70-140



- Este equipo se puede utilizar por niños de 8 años o más y por personas con capacidades físicas, sensoriales o mentales reducidas, o bien por personas que carecen de experiencia o conocimientos adecuados, con tal de que se les supervise y hayan recibido instrucciones acerca del uso seguro del equipo y se les haya informado sobre los peligros potenciales.
- Cualquier cambio eléctrico o mecánico realizado en este armario anulará la garantía. Los cambios realizados por técnicos de servicio no autorizados y los cambios distintos a los descritos en este manual también anularán la garantía. El fabricante no aceptará ninguna responsabilidad por los daños derivados de dichos cambios.

CLASE CLIMÁTICA

El armario está diseñado para funcionar dentro de unos niveles específicos de temperatura ambiente y humedad. Estos se establecen en el sistema de clase climática. Estos niveles nunca deben superarse. La clase climática para este producto puede encontrarse en la etiqueta de descripción del mismo. El frigorífico no es apto para su uso a temperaturas inferiores a 16 °C de temperatura ambiente.

Clase Climática	Temperatura Ambiental y Humedad
4	+30°C con 55% RH
5	+40°C con 40% RH

PRIMERA RECEPCIÓN Y CONTROLES

Este armario se embaló con un material protector para su envío. En el momento de la entrega, compruebe que el armario no haya sufrido ningún daño durante el transporte y que el modelo sea el que usted encargó.

IMPORTANTE

Todas las operaciones indicadas a continuación deben cumplir íntegramente con todos los reglamentos locales y las normas de seguridad. Tenga en cuenta todas las normas de seguridad vigentes cuando utilice este producto.

TRANSPORTE

Si desea levantar el producto utilizando maquinaria, debe comprobar la capacidad de elevación de la misma antes de realizar cualquier procedimiento de este tipo.

IMPORTANTE

Si utiliza una carretilla elevadora para mover el producto, compruebe que las horquillas estén insertadas en las aberturas correspondientes del palé.

Una vez en movimiento, debe prestarse atención a la estabilidad del producto. Si el centro de gravedad no está centrado en el producto, aumentarán las posibilidades de que se caiga. Si baja el producto con una carretilla elevadora, realice la operación lentamente y con cuidado.

Si fuera necesario transportar los armarios verticales en posición horizontal, procure que hayan estado en posición vertical como mínimo durante 2 horas antes de activarlos. No es recomendable transportar los armarios verticales en posición horizontal; cualquier daño derivado de dicha acción no está cubierto por la garantía.

ATENCIÓN

Las recomendaciones escritas en la parte exterior del embalaje de transporte son para el beneficio del usuario. Por lo tanto, debe tener las siguientes recomendaciones en cuenta:

- Lleve el producto con cuidado.
- Mantenga el producto seco. No almacene productos en la parte superior del armario.

HOSHIZAKI

Advance 70-140



ABRIR EL EMBALAJE

- Retire el cartón y cualquier otro material de embalaje.
- Levante el armario para desencajarlo y retírelo del palé.
- Coloque el armario en el lugar deseado, sobre su propia base.
- Compruebe si hay daños visibles.
- Los materiales de embalaje pueden reciclarse de acuerdo con la normativa local.
- Compruebe que el código del producto y el número de serie coincidan con los indicados en los documentos de envío.

Armarios verticales

Marca			HOSHIZAKI			
Nombre del modelo			Advance K70	Advance K140	Advance F70	Advance F140
Uso previsto			Almacenamiento	Almacenamiento	Almacenamiento	Almacenamiento
Temperatura operativa de enfriamiento			X	X		
Temperatura operativa de congelación					X	X
Armario multiusos						
Armario vertical			X	X	X	X
Armario en encimera						
<u>Parámetro</u>	<u>Símbolo</u>	<u>Unidad</u>				
Clasificación Eficiencia Energética	EEC	-	C	C	D	D
Índice de Eficiencia Energética	EEL	-	42,41	48,32	67,46	67,44
Consumo energético en 24 horas	E24h	kWh	1,5	2,54	6,546	9,98
Consumo energético anual	AEC	kWh	548	926	2389	3642
Volumen neto del compartimento 1	Vn o Vn1	litro	415	398	420	398
Volumen neto del compartimento 2	Vn2	litro	-	398	-	398
Volumen neto del compartimento 3	Vn3	litro	-	-	-	-
Volumen neto del compartimento 4	Vn4	litro	-	-	-	-
Volumen neto total	VnT	litro	415	797	420	797
Clase climática	CC		5	5	5	5
Refrigerante			R290	R290	R290	R290
Carga		kg	0.058	0.085	0.082	0.105
GWP			3	3	3	3
Equivalente de CO2		CO2	0,174	0,255	0,246	0,315
Uso industrial; este aparato está diseñado para utilizarse en una temperatura ambiente máxima de			X	X	X	X
Nombre del modelo	HOSHIZAKI EUROPE B.V.					
	Address: Burgemeester Stramanweg 1011101 AA Amsterdam, The Netherlands Tel.: +31 (0)20 691 8499					
	http://hoshizaki.europe.com/					

HOSHIZAKI

Advance 70-140



II. INSTRUCCIONES DE FUNCIONAMIENTO

ELECTRICIDAD

Antes de conectar el producto a la red, compruebe que la alimentación eléctrica especificada en la etiqueta de descripción del producto coincida con la de la red eléctrica local.

La etiqueta de descripción del producto con la alimentación eléctrica especificada se encuentra en el interior del armario, en la parte superior izquierda.

La instalación del producto debe realizarla únicamente personal de servicio calificado y con la formación adecuada, de acuerdo con las especificaciones indicadas en este manual.

La seguridad eléctrica de este armario solo puede garantizarse si está conectado a tierra de acuerdo con las leyes y reglamentos locales vigentes.

Siempre debe realizarse la puesta a tierra del producto.

El fabricante no aceptará ninguna responsabilidad por los daños derivados de una puesta a tierra incorrecta.

Cumpla con todos los requisitos eléctricos estipulados por la normativa eléctrica local. El conector eléctrico del producto y la toma de corriente deben tener las especificaciones correctas de conectividad a tierra. Si fuera necesario, contacte con un electricista cualificado.

COMPROBACIONES PRELIMINARES GENERALES

Compruebe que el armario se encuentre sobre una superficie plana y en posición vertical. Si fuera necesario, pueden utilizarse las patas ajustables del armario para nivelarlo. Todas las patas deben estar en contacto con el suelo. Esto es necesario para el correcto funcionamiento de la puerta del armario.

No coloque el armario junto a dispositivos que generen calor, como por ejemplo hornos, parrillas y freidoras. No lo exponga a la luz solar directa. El calor que pueden irradiar paredes o suelos debe aislarse con material aislante adecuado. El armario debería situarse lo más lejos posible de cualquier fuente de calor.

Si cambia el armario de lugar, espere tres horas antes de volverlo a activar. Debe retirarse la protección plástica o la cinta de las superficies exteriores.

Compruebe que el armario esté colocado de modo que pueda fluir suficiente aire fresco hacia/desde el circuito de refrigeración y alrededor de las superficies del armario. Deje como mínimo 500 mm de espacio libre en la parte superior del armario.

Si se van a colocar dos frigoríficos o congeladores uno al lado del otro, debe haber un espacio mínimo de 50 mm entre ellos.

No bloquee ningún orificio de ventilación.

HOSHIZAKI

Advance 70-140



COMPROBACIONES ELÉCTRICAS PRELIMINARES

- Compruebe que la tensión de la red y la frecuencia de la toma coincidan con la información de la etiqueta de descripción del producto.
- El armario se conecta a una toma de corriente con un fusible de 13-16 Amp como una conexión en serie.
- Desactive el fusible de red conectado al cable de alimentación.
- Compruebe que el conector del armario encaje correctamente en la toma de corriente que se va a utilizar.

PRIMERAS OPERACIONES Y CONTROLES

Una vez completadas las comprobaciones anteriores, ya se puede utilizar el armario. El armario se activa y desactiva con el interruptor de encendido/apagado.

El compresor empieza a funcionar una vez activado el armario. El compresor estará activo hasta que se alcance la temperatura preajustada de fábrica. No deberían colocarse alimentos en el armario hasta que se haya definido el ajuste de temperatura en función de los alimentos a enfriar.

Puede realizarse un nuevo ajuste de temperatura a través del controlador, de la forma indicada en este manual.

IMPORTANTE

- Deje que el producto se enfríe a la temperatura establecida antes de colocar alimentos en su interior.
- Nunca sobrepase la capacidad de carga máxima. La capacidad máxima de las estanterías es una carga uniforme de 40 kg cada una para los armarios verticales y de 20 kg para las estanterías y los cajones de los armarios en encimera.
- Consulte la sección "Comprobaciones preliminares generales" de este manual para más información acerca del espacio necesario para conseguir una buena circulación de aire alrededor del producto.
- No almacene sustancias explosivas, como por ejemplo aerosoles con propelente inflamable, en este aparato.

ADVERTENCIA:

- No bloquee en ningún momento las aberturas de ventilación del aparato.
- No utilice dispositivos mecánicos, ni otros medios distintos a los recomendados por el fabricante, para acelerar el proceso de descongelación.
- No dañe el circuito de refrigerante.
- No utilice aparatos eléctricos dentro del armario.

Unas condiciones de almacenamiento correctas no solo son esenciales para la seguridad e higiene de los alimentos, sino que mejoran la calidad del servicio y reducen el consumo energético. Para conseguir el mejor rendimiento posible, deben observarse los siguientes consejos y directrices: coloque todos los alimentos en las estanterías, nunca en el suelo del armario.

Los alimentos deben colocarse en el armario o en la encimera de forma que permitan una buena circulación de aire, dejando espacio entre ellos y las paredes del producto. Si fuera necesario, puede ajustarse según convenga la distancia entre las estanterías.

PANEL DE CONTROL



El

panel de control dispone de los siguientes controles y funciones:

1. Tecla SET
 - Se utiliza para introducir/seleccionar valores de entrada
2. Tecla de encendido/apagado
 - Manténgala pulsada durante 4 segundos para activar o desactivar el armario
3. Tecla ABAJO
 - Se utiliza para desplazarse hacia abajo en el menú o para cambiar/reducir el valor
4. Tecla ARRIBA
 - Se utiliza para desplazarse hacia arriba en un menú o para cambiar/aumentar el valor
 - Manténgala pulsada durante 4 segundos para iniciar la DESCONGELACIÓN MANUAL

FUNCIONES DEL PANEL FRONTAL

El panel de control puede bloquearse y desbloquearse.

Para bloquear los controles:

- Compruebe que no haya ningún procedimiento en curso
- No realice ninguna operación durante 30 segundos
- La pantalla mostrará "LOC" durante 1 segundo y el teclado quedará bloqueado automáticamente

Para desbloquear los controles:

- Toque una tecla durante un segundo: la pantalla mostrará el mensaje "UNL" durante un segundo

HOSHIZAKI

Advance 70-140

AJUSTE DE TEMPERATURA



1. Compruebe que el panel de control no esté bloqueado y que no haya ningún procedimiento en curso.
2. Toque la tecla SET; el LED * parpadeará.
3. Cambie el ajuste de la temperatura con las flechas ARRIBA y ABAJO.
4. Toque la tecla SET o no realice ninguna operación durante 15 segundos. Dejará de mostrarse el LED * y el controlador saldrá de este procedimiento.
5. Para salir del procedimiento de ajuste de la temperatura antes de que se complete.
 - a. Toque la tecla de encendido/apagado (los cambios no se guardarán). El punto de ajuste del trabajo también puede ajustarse a través del parámetro SP.

PANTALLA DE TEMPERATURA (detectada por las sondas)

1. Compruebe que el panel de control no esté bloqueado y que no haya ningún procedimiento en curso.
2. Pulse la flecha ABAJO durante 4 segundos: la pantalla mostrará la primera sonda disponible.
3. Seleccione la sonda correcta con las flechas ARRIBA y ABAJO.
4. Pulse la tecla SET.

En esta tabla se indican los códigos para cada sonda.

Etiqueta	Temperatura mostrada
Pb1	Temperatura del armario
Pb2	Temperatura del evaporador

Para salir del procedimiento, pulse la tecla SET durante 60 segundos o no realice ninguna operación durante 60 segundos. A continuación, pulse la tecla de encendido/apagado.

Nota: si no se ha instalado la sonda del evaporador, no se mostrará el código Pb2.

ALARMAS DE TEMPERATURA

Esta es una lista de las alarmas que muestra este armario.

CÓDIGO	TIPO DE ALARMA	VALOR CRÍTICO
AL	Alarma de baja temperatura	Esta alarma indica una baja temperatura de la cabina
AH	Alarma de alta temperatura	Esta alarma indica una alta temperatura de la cabina
Id	Alarma de puerta abierta	Esta alarma indica la máxima temperatura de la cabina

El registro de la alarma solo puede realizarse con el armario activado.

Cuando desaparezca la causa de la alarma, el armario volverá a funcionar con normalidad.

ACCESO AL HISTÓRICO DE ALARMAS

1. Pulse la tecla ABAJO durante 2 segundos para mostrar el primer código
2. Pulse una vez la tecla ARRIBA o seleccione LS pulsando la tecla ABAJO
3. Pulse una vez la tecla SET: se mostrará uno de los códigos anteriores

Para seleccionar una alarma, pulse la tecla ARRIBA hasta que se muestre AH.

Para mostrar información de la alarma, pulse una vez la tecla SET (el LED HACCP dejará de parpadear).

HOSHIZAKI

Advance 70-140



TEXTOS MOSTRADOS Y SU SIGNIFICADO

8,0	Valores críticos 8,0 °C/°F
Dur	La pantalla muestra la hora de la alarma
h01	Alarma de 1 hora (cont.)
n15	Alarma de 1 hora y 15 minutos
AH	Alarma seleccionada

Para salir de la pantalla del histórico, pulse varias veces la tecla de activación/espera.

Para cancelar el proceso, pulse varias veces las teclas ARRIBA o ABAJO hasta que la pantalla muestre la temperatura del armario, o no pulse ninguna tecla durante 60 segundos.

Método alternativo de cancelación: pulse una vez la tecla de activación/espera. Si no se ha registrado ninguna alarma, no se mostrará el código LS.

CÓDIGOS DE ERROR

Código	Descripción
Pr1	Error de la sonda del armario
Pr2	Error de la sonda del evaporador

La corrección de estos errores solo puede realizarla personal técnico cualificado.

ESTADOS DE FUNCIONAMIENTO

A continuación, se indican los estados de funcionamiento disponibles:

Estado	Descripción
ON	El armario está activado y en funcionamiento
STANDBY	El armario está activado, pero en modo de espera
OFF	El armario está desactivado, desenchufado o el aislador principal está apagado

IMPORTANTE

No realice ninguna operación de mantenimiento ni de reparación mientras el armario esté activado o en modo de espera. Las tareas solo pueden realizarse si la fuente de alimentación está totalmente aislada del armario.



III. INSTRUCCIONES DE MANTENIMIENTO

Esta sección está dirigida especialmente al propietario/usuario del producto. Ofrece información importante acerca del uso correcto y de cómo aumentar al máximo la vida útil del producto.

Debido a la naturaleza de los riesgos mecánicos y eléctricos, recomendamos que cualquier operación técnica sea realizada por personal con la debida formación.

Unos pocos y sencillos pasos durante el uso y el ajuste pueden ayudar a disminuir la probabilidad de que los técnicos de servicio deban realizar costosas reparaciones. Estos pasos no requieren unos conocimientos técnicos especiales.

IMPORTANTE

ADVERTENCIA: el aparato debe desconectarse de su fuente de alimentación eléctrica durante la limpieza o el mantenimiento y cuando se sustituyan las piezas. La desconexión del enchufe debe realizarse de tal forma que el operario pueda comprobar, desde cualquiera de los puntos a los que tiene acceso, que el enchufe sigue desconectado.

Antes de empezar con la limpieza y el mantenimiento del producto, debe estar totalmente seguro de que la fuente de alimentación está desconectada y que nadie pueda volver a conectarla accidentalmente.

ATENCIÓN

No lave el producto con agua a alta presión. Evite cualquier posibilidad de pulverizar los componentes eléctricos.

LIMPIEZA

- Es recomendable limpiar periódicamente el interior del armario con detergentes desinfectantes. La limpieza interna del armario debe realizarse con agua tibia y ligeramente jabonosa.
- Para limpiar el interior y el exterior del armario solo deben utilizarse detergentes con pH neutro o ligeramente alcalinos.
- La garantía no cubre los daños causados por productos de limpieza que contengan agentes químicos que pueden dañar el acero inoxidable.
- Nunca utilice instrumentos metálicos, estropajos metálicos ni cremas o polvos abrasivos.
- La suciedad puede limpiarse con un paño húmedo.
- Las rejillas de ventilación del armario deben estar siempre limpias y libres de obstáculos.
- Las estanterías pueden desmontarse para facilitar la limpieza.
- Limpie a fondo tanto las estanterías como sus guías.

IMPORTANTE

El producto está fabricado con acero inoxidable. En condiciones normales el acero inoxidable no se corroe, pero sí se producirá corrosión si se utilizan detergentes corrosivos.

MANTENIMIENTO RUTINARIO

HOSHIZAKI

Advance 70-140



CONDENSADOR

Es muy importante que el condensador pueda transferir la máxima cantidad de calor posible. Por lo tanto, la superficie del condensador debe estar siempre limpia y libre de obstáculos. Debido al efecto del ventilador, se acumulará polvo en las aletas del condensador y en su interior. Puede utilizarse una aspiradora con un cepillo accesorio para limpiar el condensador.

Preste especial atención para evitar dañar las aletas del condensador o las palas del ventilador.

Si ha instalado un filtro, retírelo para limpiarlo y vuelva a colocarlo. Sustituya el filtro si está dañado o demasiado sucio como para poderlo limpiar correctamente.

JUNTAS DE LA PUERTA/DEL CAJÓN

Una junta en buen estado evita que penetre humedad y aire caliente en el armario, por lo que es vital para el buen rendimiento económico del mismo.

CABLE DE ALIMENTACIÓN

Si el cable de alimentación está dañado, para evitar riesgos la sustitución debería realizarla el fabricante, su agente de reparaciones o personas igualmente cualificadas.

PREPARACIÓN PARA LARGOS PERÍODOS DE TIEMPO SIN USO

- Desactive el aislador principal o desenchufe el armario.
- Retire todos los alimentos del armario.
- Limpie el armario (consulte la sección de limpieza).
- Limpie el polvo acumulado y la suciedad del compresor.
- Para evitar olores desagradables, no cierre completamente la puerta.

ATENCIÓN

Cuando desconecte el producto, tenga en cuenta que el agua de la descongelación puede gotear del armario al suelo. Ello podría provocar daños en el suelo o que éste estuviera resbaladizo.

HOSHIZAKI

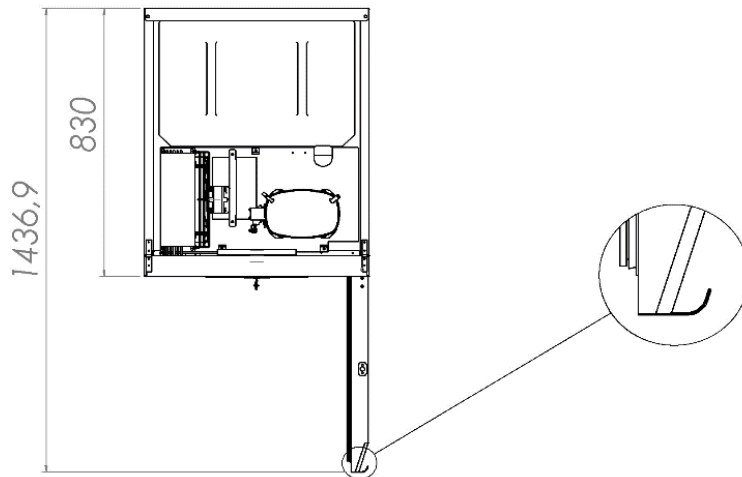
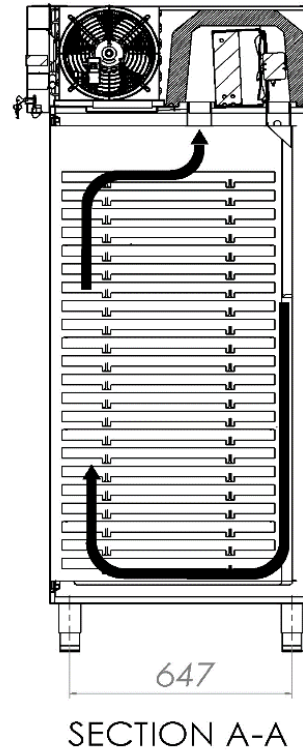
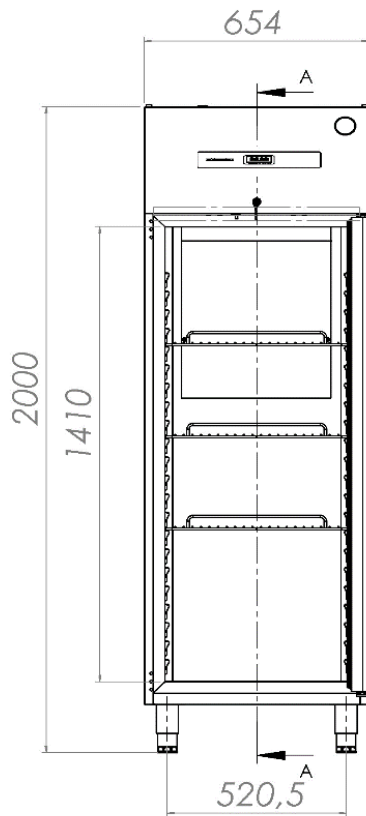
Advance 70-140

IV. INFORMACION TECNICA



DIMENSIONES DE LOS PRODUCTOS

ADVANCE K70 & ADVANCE F70

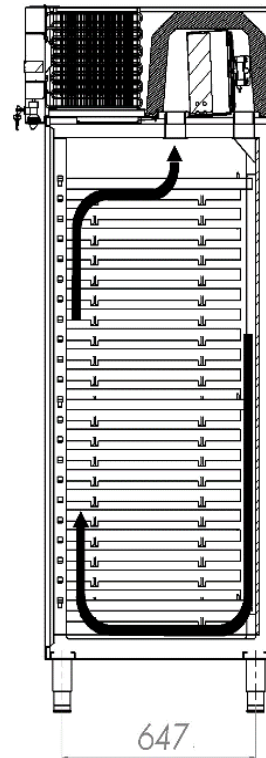
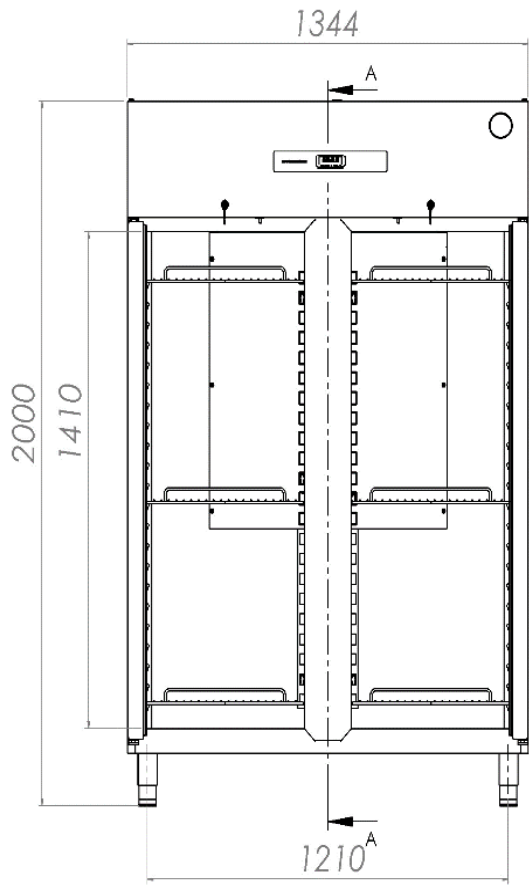


HOSHIZAKI

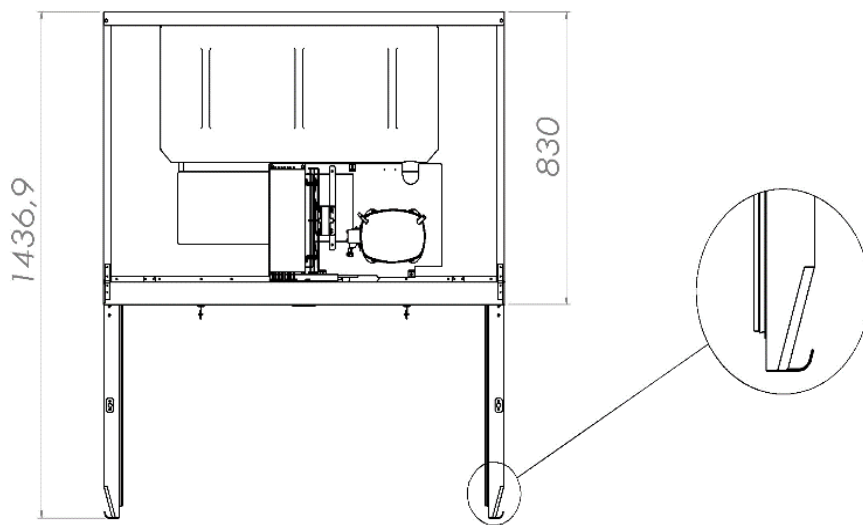
Advance 70-140



ADVANCE F140



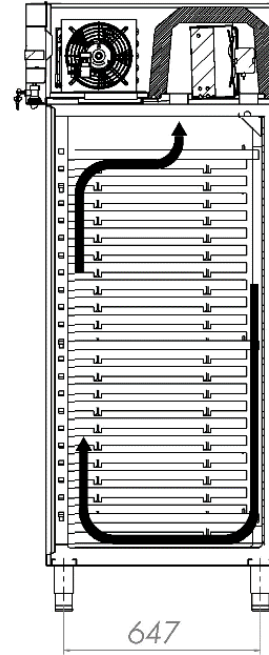
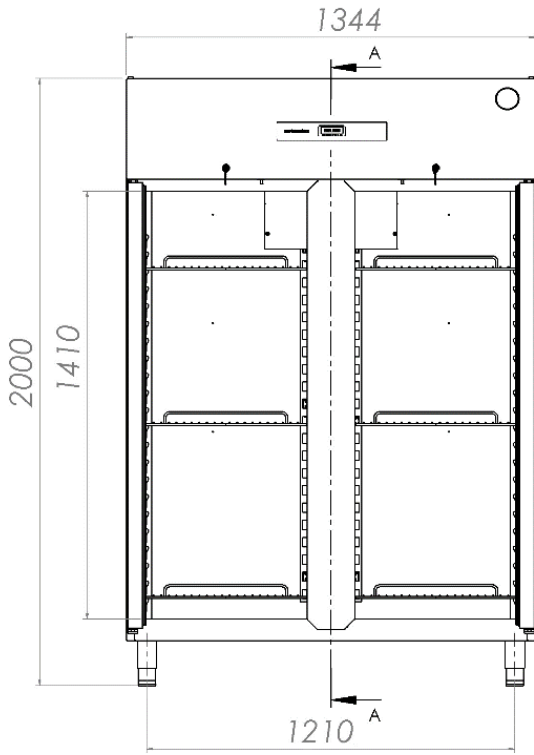
SECTION A-A



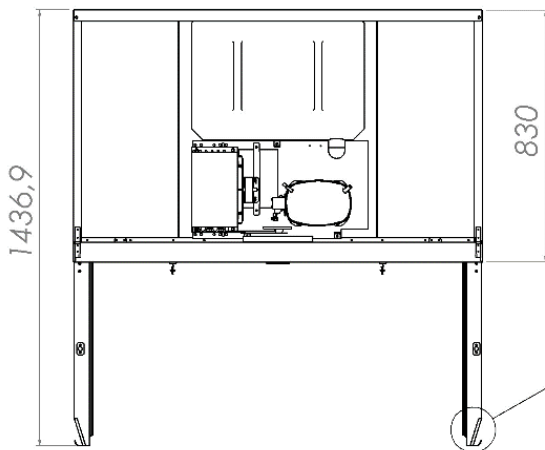
HOSHIZAKI

Advance 70-140

ADVANCE K140



SECTION A-A

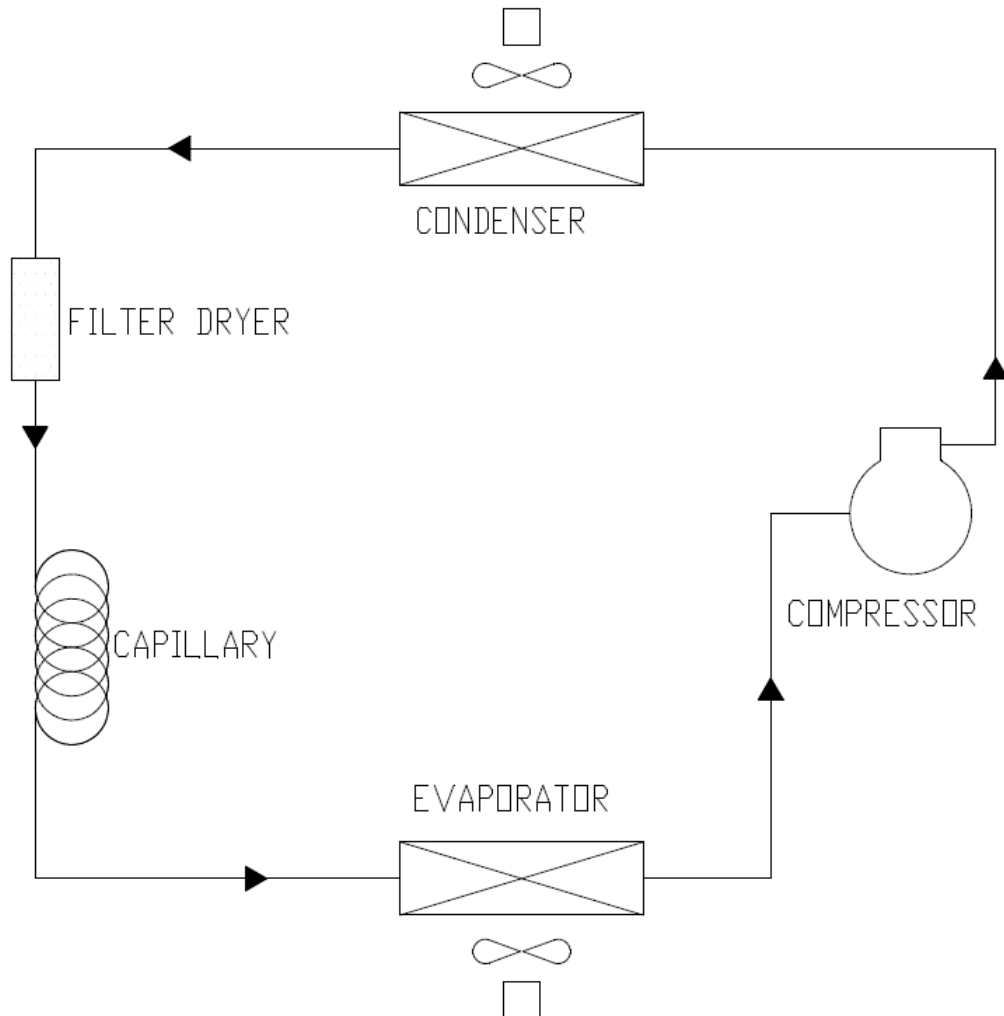


HOSHIZAKI

Advance 70-140



SISTEMA DE REFRIGERACIÓN ESTÁNDAR

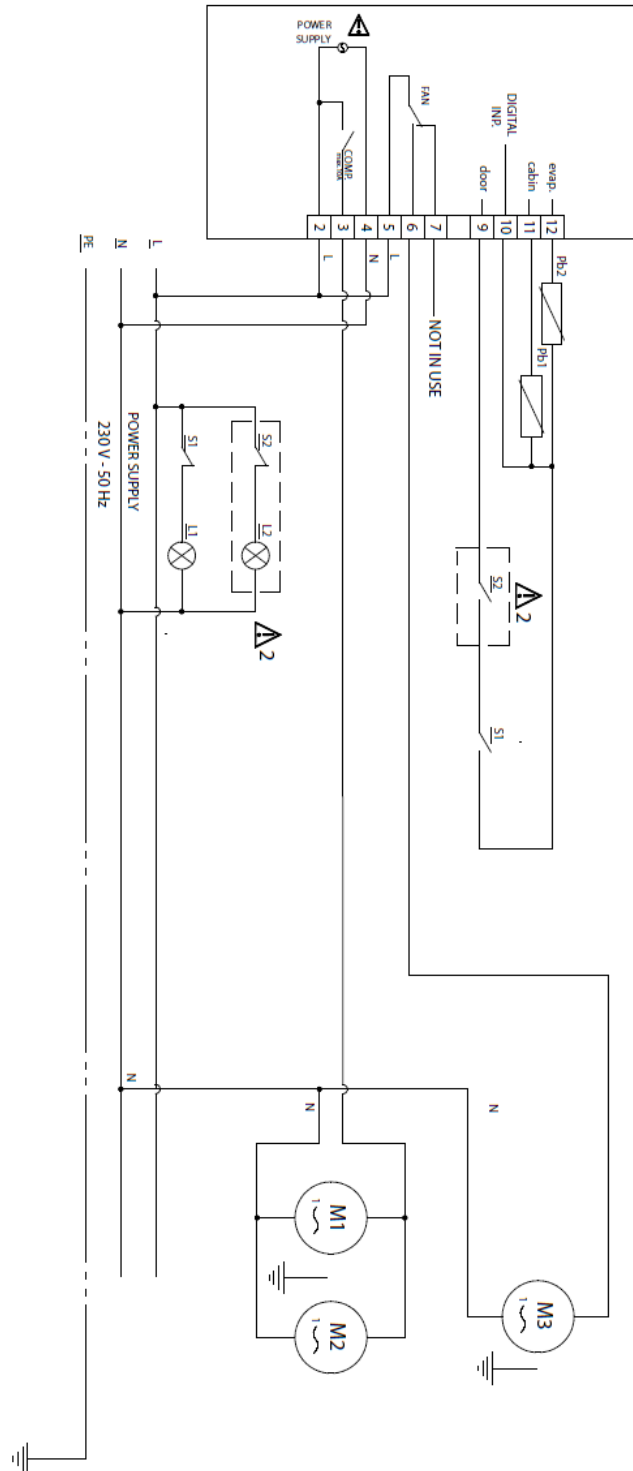


- 1 Compresor (Compressor)
- 2 Condensador (Condenser)
- 3 Secador de Filtro (Filter Dryer)
- 4 Capilar (Capillary)
- 5 Evaporador (Evaporator)



ADVANCE K70 / ADVANCE K140 MODELS WIRING DIAGRAM

EVCO EV3B22N7VXW Model Digital Thermostat



DESCRIPTIONS

- △ 2 Available only on ADVANCE K140
- S1: Door switch 1
- S2: Door switch 2
- Pb1: Cabin Probe
- Pb2: Evaporator Probe
- L1, L2: Led light
- M1: Compressor
- M2: Condenser Fan
- M3: Evaporator Fan

HOSHIZAKI

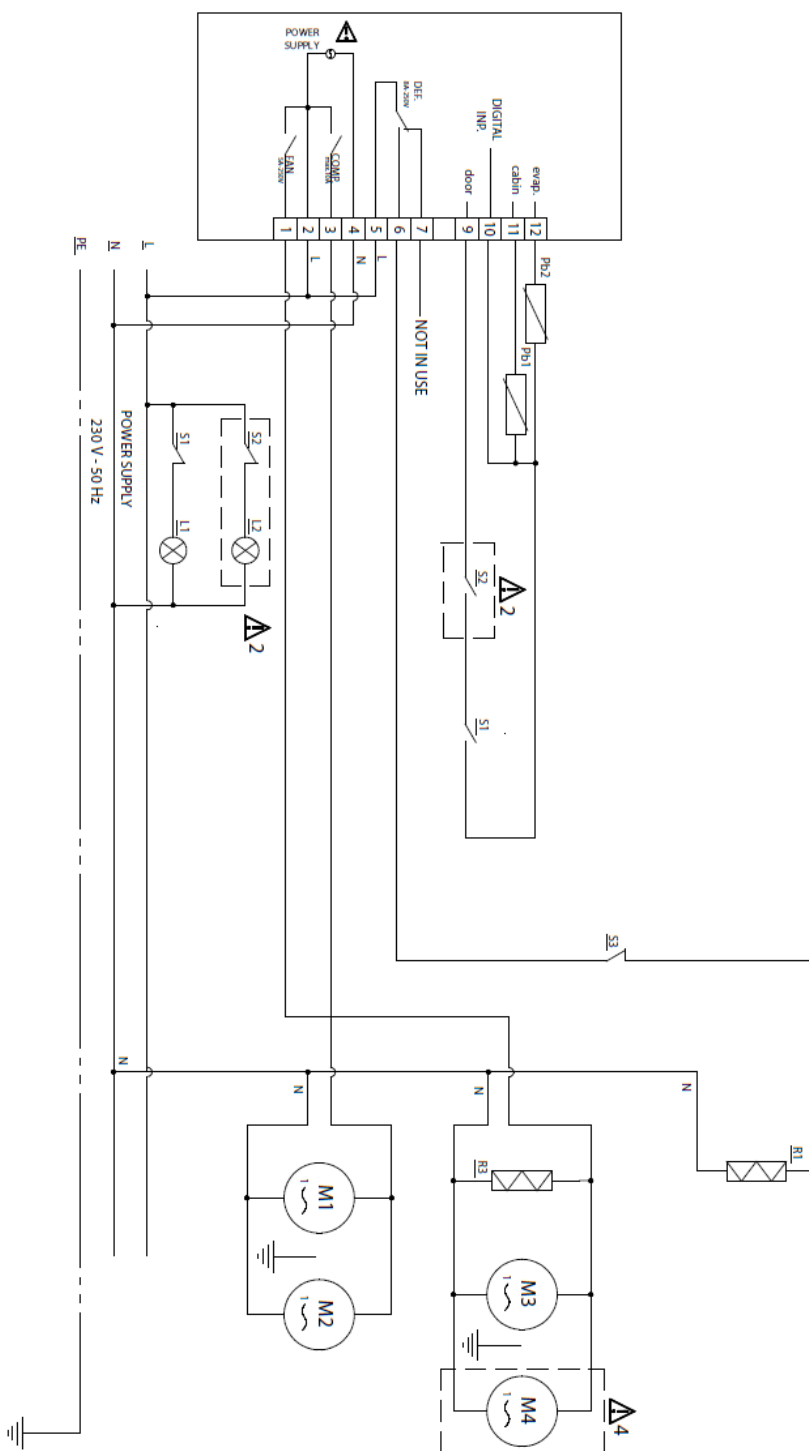
Advance 70-140



ELEMENTOS TÉCNICOS – ELECTRICIDAD

ADVANCE F70 / ADVANCE F140 MODELS WIRING DIAGRAM

EVCO EV3B23N7VWX04 Model Digital Thermostat



DESCRIPTIONS

- △: △4 Available only on ADVANCE F140
- S1: Door Switch 1
- S2: Door Switch 2
- S3: Thermal Protector
- Pb1: Cabin Probe
- Pb2: Evaporator Probe
- R1: Defrost Heater
- R3: Door frame cable heater
- L1/L2: Led light
- M1: Compressor
- M2: Condenser Fan
- M3/M4: Evaporator Fan

HOSHIZAKI

Advance 70-140



V. DIAGNÓSTICO DE MANTENIMIENTO Y REPARACIÓN

En la siguiente tabla se muestran varios problemas con los que puede encontrarse. Si se muestra un código de alarma, se ha producido un fallo de funcionamiento. Corrija las posibles causas antes de reiniciar el armario. A continuación se enumeran las posibles causas y remedios.

Si el código de error sigue apareciendo después de realizar las siguientes comprobaciones, póngase en contacto con un técnico autorizado. Deben determinarse las características del mensaje de error. Los detalles del producto, incluido el número de serie, se encuentran en la placa de identificación del producto.

PROBLEMA	CAUSA POSIBLE	SOLUCIÓN
El armario no funciona	El armario no recibe alimentación eléctrica	Compruebe posibles defectos en el enchufe y el cable de alimentación
El compresor no se detiene casi nunca	La temperatura ambiente es demasiado alta	Debe mejorarse la ventilación
	El condensador o su filtro están bloqueados	Revise y limpie a menudo el filtro del condensador
	Baja carga del refrigerante	Contacte con un técnico autorizado para reparar una fuga
	Las juntas de las puertas no sellan correctamente	Contacte con un técnico autorizado para sustituir los sellos
	El evaporador está congelado	No coloque alimentos calientes en el armario No coloque alimentos con un elevado contenido de agua dentro del armario, a menos que sea dentro de recipientes herméticos Empiece un ciclo de descongelación
El agua de la bandeja del condensador se derrama	El/los ventilador/es del evaporador son defectuosos	Contacte con un técnico autorizado para sustituir el/los ventilador/es
	Se colocan a menudo alimentos calientes en el armario	No coloque alimentos calientes en el armario Los alimentos con un elevado contenido de agua solo deben colocarse en el armario dentro de recipientes
	Se abren con frecuencia la puerta o los cajones	Compruebe si las especificaciones del armario son las más adecuadas para el uso que se le da actualmente
La temperatura del armario es elevada	El condensador está obstruido por la suciedad y el polvo	Revise y limpie a menudo el filtro del condensador
	La circulación de aire dentro del armario está obstruida	Retire los alimentos que impiden la circulación de aire
	Penetra aire en el armario	Asegúrese de que la puerta esté cerrada Compruebe posibles daños en las juntas de la puerta y del cajón Póngase en contacto con un técnico autorizado
	El evaporador está congelado	Empiece un ciclo de descongelación



SUSTITUCIÓN DE LA BOMBILLA INTERIOR

- Desactive el aislador principal o desenchufe el armario.
- Abra la puerta.
- Retire el tornillo que fija la campana del extractor y levántela.
- Compruebe que la nueva bombilla tenga la misma potencia que la antigua. En la bombilla se muestran los valores de voltaje y vataje.
- Retire y sustituya la bombilla.

DESECHAR EL ARMARIO

- El gas de refrigeración utilizado en el armario se indica en la placa de identificación.
- El armario se ha fabricado con materiales reciclables, de acuerdo con la normativa de la UE. Por lo tanto, al final de su vida útil, el armario debe trasladarse al correspondiente centro de reciclaje para proceder a su eliminación.
- No recicle el armario como si fueran residuos metálicos o desechos domésticos.
- No comprima el circuito de refrigeración de la planta.

IMPORTANTE

- Siga los reglamentos y normativas locales para la eliminación del armario.

HOSHIZAKI

Advance 70-140



Todos los derechos reservados. Hoshizaki se reserva el derecho a cambiar cualquier característica e información de este manual.

Datos de contacto

Oficina central

Hoshizaki Europe B.V – All other countries in Europe and Africa

TEL: +31 (0)20 6918499

sales@hoshizaki.nl -- <http://hoshizaki-europe.com/>

Sucursales

Hoshizaki UK - UK, Ireland

TEL: +44 (0)845 456 05 85

uksales@hoshizaki.co.uk

Hoshizaki Deutschland - Germany, Switzerland, Austria

TEL: +49 (0)5121 697370

vertrieb@hoshizaki.de

Hoshizaki Benelux - Netherlands, Belgium, Luxembourg

TEL: +31 (0)85 0188370

info@hoshizaki.nl

Hoshizaki France - France

TEL: +33 (0)1 48 63 93 80

info@hoshizaki.fr

Hoshizaki Iberia - Spain, Portugal

TEL: +34 (0)93 478 09 52

info@hoshizaki.es

Hoshizaki Denmark - Denmark

TEL: +45 89 88 53 50

salg@hoshizaki.dk

Hoshizaki Norway - Norge

TEL: +47 22 88 17 50

salg@hoshizaki.no

Hoshizaki Sweden - Sverige

TEL: +46 108 84 87 47

OrderSE@hoshizaki.dk

Hoshizaki Italia – Italia

TEL: +39 348 3022156

commerciale@hoshizaki.it

HOSHIZAKI

Advance 70-140



KOELKASTEN EN DIEPVRIEZERS

EXPLOITATIE-, ONDERHOUDS- EN INSTALLATIEHANDLEIDING



I.	ALGEMENE INFORMATIE	86
II.	BEDIENINGSINSTRUCTIES	89
III.	AANWIJZINGEN VOOR ONDERHOUD	95
IV.	TECHNISCHE INFORMATIE	97
V.	OPSPOREN EN VERHELPEM VAN STORINGEN	102
VI.	VERWIJDEREN EN VERVANGEN	103

Contactgegevens:

HOSHIZAKI EUROPE B.V.

Adres: Burgemeester Stramanweg 101 1101 AA Amsterdam, Nederland

Tel: +31 (0)20 691 8499

<http://hoshizaki-europe.com/>



HOSHIZAKI


Advance 70-140



I. ALGEMENE INFORMATIE

LABEL MET PRODUCTBESCHRIJVING

1	Productnummer
2	Productbeschrijving
3	Model
4	Koelmiddel (GWP)
5	CO2-equivalent
6	IP-bescherming
7	Klimaatklasse
8	Productiedatum
9	Totaal vermogen / Stroom / Lampvermogen
10	Spanning- Frequentie
11	Verwarmingselement
12	Systeemdruk
13	Blaasmiddel
14	Serienummer

PRODUCT NUMBER	1
	
PRODUCT DESCRIPTION	2
MODEL	3
REFRIGERANT	4
CO2 EQUIVALENT	5
IP PROTECTION	6
CLIMATE CLASS	7
PRODUCTION DATE	8
TOTAL POWER / CURRENT / LAMP POWER	9
VOLTAGE - FREQUENCY	10
HEATING ELEMENT	11
SYSTEM PRESSURE	12
BLOWING AGENT	13

S/N: 14



HOSHIZAKI EUROPE B.V. Burgemeester Stramanweg 101 1101 AA
Amsterdam, The Netherlands



GEbruIKSTOEPassING

- Dit product is alleen geschikt voor binnengebruik en uitsluitend voor het bewaren van voedsel en dranken. Compartimenten zijn bedoeld om producten op koelkast-/vriezer-temperatuur te houden.
- De fabrikant is niet verantwoordelijk voor enige schade die voortvloeit uit gebruik in strijd met de vermelde richtlijnen in dit document.
- Bij het bewaren van voedsel in deze kast moet u ervoor zorgen dat voedsel nooit in contact komt met de behuizing van deze kast.
- Alle voedingswaren moeten volledig zijn afgedekt. Om vervuiling of corrosie van interne onderdelen te voorkomen, moeten alle producten in folie worden verpakt of in afgesloten bakjes worden bewaard.
- Bewaar geen hete voedingswaren of vloeistoffen in deze kast.
- Dranken in dozen of glazen flessen moeten niet worden bewaard bij een temperatuur onder 0 °C (vriespunt). Blikjes en glazen flessen kunnen barsten vanwege expansie. Bakjes met een deksel moeten niet volledig worden gevuld: zorg voor een kleine ruimte voor expansie.
- Deze kast is voorzien van een automatische zelfontdooiingsfunctie. Het is ook mogelijk om handmatig te ontdooien. Handmatig ontdooien vindt plaats via de controller en de kast hoeft hiervoor niet lange tijd te worden uitgeschakeld. In geen geval mag kracht of handgereedschap worden gebruikt om deze kast ijsvrij te maken; enige schade die voortvloeit uit dergelijke handelingen, is moeilijk te repareren.
- Voer geen mechanische of alternatieve methoden van ontdooiing uit.
- Dit apparaat mag niet worden gebruikt door personen (inclusief kinderen) met verminderde fysieke, zintuiglijke of geestelijke capaciteiten, of een gebrek aan ervaring en kennis, tenzij dit gebeurt onder toezicht of na het verkrijgen van instructies.
- Het is kinderen niet toegestaan met het apparaat te spelen.
- Reiniging en gebruikersonderhoud mag niet zonder toezicht door kinderen worden uitgevoerd.

HOSHIZAKI

Advance 70-140



- Dit apparaat mag worden gebruikt door kinderen ouder dan 8 jaar of personen met verminderde fysieke, zintuiglijke of geestelijke capaciteiten, of een gebrek aan ervaring en kennis, mits dit gebeurt onder toezicht of na het verkrijgen van instructies met betrekking tot het veilige gebruik van het apparaat en de persoon begrijpt welke gevaren aan het gebruik zijn verbonden.
- Bij enige elektrische of mechanische wijzigingen aan deze kast vervalt de garantie. Bij wijzigingen die worden aangebracht door niet-geautoriseerde servicemonteurs en andere wijzigingen dan in deze handleiding worden beschreven, vervalt de garantie eveneens. De fabrikant aanvaardt geen enkele verantwoordelijkheid voor schade die voortvloeit uit dergelijke wijzigingen.

KLIMAAT KLASSE

De kast is ontworpen voor gebruik binnen specifieke omgevingstemperaturen en vochtigheidsniveaus. Deze worden beschreven in het klimaatclassificatiesysteem. Deze niveaus mogen nooit worden overschreden. U vindt de klimaatklasse voor dit product op het label met de productbeschrijving. De koelkast is niet geschikt voor gebruik bij een omgevingstemperatuur die lager is dan 16 °C.

Klimaatklasse	Omgevingstemperatuur en Vochtigheid
4	+30°C met 55% RH
5	+40°C met 40% RH

EERSTE ACCEPTATIE EN CONTROLES

Deze kast is verpakt in beschermend verpakkingsmateriaal voor verzending. Controleer bij levering de kast op mogelijke transportschade en of het kastmodel het model is dat u hebt besteld.

BELANGRIJK

Alle hieronder vermelde bewerkingen moeten volledig voldoen aan alle lokale regels en veiligheidsvoorschriften. Neem alle geldende veiligheidsregels in acht bij bediening van dit product.

TRANSPORT

Bij het opheffen van het product met een werktuig moet de hefcapaciteit van het werktuig worden gecontroleerd voordat een dergelijke handeling wordt uitgevoerd.

BELANGRIJK

Wanneer een vorkheftruck wordt gebruikt om het product te verplaatsen, moet u zorgen dat de vorken in de juiste openingen in de pallet worden gestoken.

Tijdens het verplaatsen moet de stabiliteit van het product goed in de gaten worden gehouden. Als het zwaartepunt niet in het midden van het product ligt, is dit geneigd om te kantelen. Bij gebruik van een vorkheftruck moet u het product langzaam en voorzichtig laten zakken.

Als het nodig is om een rechtopstaande kast in een horizontale positie te vervoeren, moet u zorgen dat de kast minstens 2 uur rechtop heeft gestaan voordat deze wordt gebruikt. Het wordt niet aanbevolen rechtopstaande kasten in een horizontale positie te vervoeren en enige schade die voortvloeit uit een dergelijke handeling, valt niet onder de garantie.

LET OP

Aanbevelingen die aan de buitenkant van de transportverpakking zijn geschreven, zijn ten voordele van de gebruiker. Neem de volgende richtlijnen in acht:

- Draag het product voorzichtig.
- Houd het product droog. Leg niets bovenop de kast.

HOSHIZAKI

Advance 70-140



DE VERPAKKING OPENEN

- Verwijder het karton en al het andere verpakkingsmateriaal.
- Til de kast op om deze los te maken van de pallet.
- Plaats de kast op de gewenste locatie op de eigen standaard.
- Controleer op zichtbare schade.
- U kunt verpakkingsmateriaal recycleren volgens plaatselijke regelgeving voor recycling.
- Controleer of de productcode en het serienummer overeenkomen met die op de transportdocumenten.

Rechtopstaande kasten

Handelsmerk			HOSHIZAKI			
Modelnaam			Advance K70	Advance K140	Advance F70	Advance F140
Bedoeld gebruik			Opslag	Opslag	Opslag	Opslag
Gekoelde bedrijfstemperatuur			X	X		
Bevroren bedrijfstemperatuur					X	X
Multifunctionele kast						
Verticale kast			X	X	X	X
Werkbank						
Parameter	<u>Symbool</u>	<u>Afdeling</u>				
Energie-efficiëntieklasse	EEC	-	C	C	D	D
Energie-efficiëntie-index	EEL	-	42,41	48,32	67,46	67,44
Energieverbruik per 24 uur	E24h	kWh	1,5	2,54	6,546	9,98
Jaarlijks energieverbruik	AEC	kWh	548	926	2389	3642
Nettovolume voor compartiment 1	Vn or	liter	415	398	420	398
Nettovolume voor compartiment 2	Vn2	liter	-	398	-	398
Nettovolume voor compartiment 3	Vn3	liter	-	-	-	-
Nettovolume voor compartiment 4	Vn4	liter	-	-	-	-
Totaal nettovolume	VnT	liter	415	797	420	797
Klimaatklasse	CC		5	5	5	5
Koelmiddel			R290	R290	R290	R290
Lading		kg	0.058	0.085	0.082	0.105
GWP			3	3	3	3
CO2-equivalent		CO2	0,174	0,255	0,246	0,315
Intensief gebruik; dit apparaat is bedoeld voor gebruik in omgevingstemperaturen tot 40 °C			X	X	X	X
Contact Details	HOSHIZAKI EUROPE B.V.					
	Burgemeester Stramanweg 101 1101 AA Amsterdam, The Netherlands Tel.: +31 (0)20 69184 99 - http://hoshizaki.europe.com/					

HOSHIZAKI

Advance 70-140



II. BEDIENINGSINSTRUCTIES

ELECTRICITEIT

Voordat het product op het elektriciteitsnet wordt aangesloten, moet u controleren of de opgegeven elektrische spanning op het label met de productbeschrijving overeenkomt met de elektrische spanning van het lokale netwerk.

U vindt het label met de productbeschrijving met de opgegeven elektrische spanning aan de binnenkant van de kast, links bovenaan.

Het product mag alleen worden geïnstalleerd door gekwalificeerde en getrainde servicemedewerkers volgens de specificaties in deze handleiding.

De elektrische beveiliging van deze kast is alleen verzekerd wanneer deze is geaard volgens geldende lokale wetten en richtlijnen.

Het is altijd vereist het product te aarden.

De fabrikant aanvaardt geen enkele verantwoordelijkheid voor schade die voortvloeit uit onjuiste aarding.

Houd u aan alle elektriciteitsvereisten die worden bepaald volgens lokale elektrische voorschriften. De stroomaansluiting van het product en het stopcontact moeten op juiste wijze zijn geaard. Huur zo nodig een gekwalificeerde elektricien in.

ALGEMENE CONTROLES ALVORENSGEBRUIK

Zorg dat de kast op een vlakke ondergrond staat en rechtop is geplaatst. Gebruik hiervoor zo nodig de verstelbare poten van de kast. Alle poten moeten de grond raken. Dit is nodig voor een juiste werking van de kastdeur.

Plaats de kast niet naast warmteproducerende apparaten, zoals ovens, grills en friteuses. Stel het product niet bloot aan direct zonlicht. Warmte die door muren of vloeren kan worden uitgestraald, moet worden geïsoleerd met geschikt isolatiemateriaal. De kast moet zo ver mogelijk van alle warmtebronnen worden geplaatst.

Als de kast wordt verplaatst, moet u drie uur wachten voordat u het apparaat opnieuw start. Verwijder plastic beschermingsmateriaal of tape van de buitenoppervlakken.

Zorg dat de kast zodanig gepositioneerd is, dat er voldoende lucht van en naar het koelcircuit en rondom het kastoppervlak circuleert. Laat minimaal 500 mm ruimte vrij boven de kast.

Als twee koelkasten of vriezers naast elkaar worden geplaatst, moet er minstens 50 mm ruimte tussen beide kasten worden aangehouden.

Zorg ervoor dat ventilatieopeningen vrij zijn.

HOSHIZAKI

Advance 70-140



INLEIDENDE ELEKTRISCHE CONTROLES

- Controleer of de netspanning en frequentie van het stopcontact overeenkomen met de informatie op het label met de productbeschrijving.
- De kast is aangesloten op een wandstopcontact met een zekering van 13-16 Amp als een serieverbinding.
- Schakel de netzekering uit die is verbonden met de stroomkabel.
- Controleer of de stekker van de kast geschikt is voor gebruik met het beschikbare stopcontact en dat deze goed past.

EERSTE GEBRUIK EN CONTROLES

Nadat u bovenstaande controles hebt uitgevoerd, is de kast klaar voor gebruik.

Bedien de kast met de AAN/UIT-schakelaar.

Nadat de kast is ingeschakeld, wordt de compressor gestart. De compressor blijft ingeschakeld totdat de vooraf ingestelde temperatuur is bereikt. Plaats geen voedsel in de kast totdat de temperatuurinstelling is aangepast aan de vereisten voor het voedsel dat u wilt koelen.

U kunt een nieuwe temperatuur instellen via de controller, zoals wordt beschreven in deze handleiding.

BELANGRIJK

- Zorg dat het product tot de ingestelde temperatuur is gekoeld voordat u voedsel in de kast plaatst.
- Houd u aan het maximale laadvermogen. De maximale schapcapaciteit is een gelijkmatige belasting van 40 kg voor elk schap in rechtopstaande kasten en 20 kg voor schappen en laden in werkbanken.
- Raadpleeg het gedeelte 'Algemene inleidende controles' in deze handleiding voor informatie over de hoeveelheid ruimte die nodig is voor een goede luchtventilatie rond het product.
- Bewaar geen explosieve stoffen, zoals spuitbussen met brandbaar drijfgas, in dit apparaat.

WAARSCHUWING:

- Blokkeer op geen enkel moment de ventilatieopeningen op het apparaat.
- Gebruik buiten door de fabrikant voorgestelde apparaten, geen apparaten of andere middelen om het ontdooiproces te versnellen.
- Beschadig het koelmiddelcircuit niet.
- Gebruik geen elektrische apparaten in de kast.

HOSHIZAKI

Advance 70-140



BEDIENINGSPANEEL



Het bedieningspaneel bevat de volgende besturingselementen en functies:

1. SET-toets
 - Voor het invoeren/instellen van waarden
2. AAN/UIT-toets
 - Houd 4 seconden ingedrukt om de kast in of uit te schakelen
3. OMLAAG-toets
 - Voor het bladeren door het menu of het wijzigen/verlagen van de waarde
4. OMHOOG-toets
 - Voor het bladeren door het menu of het wijzigen/verhogen van de waarde
 - Houd 4 seconden ingedrukt om HANDMATIG ONTDOOIEN te starten

FUNCTIES VAN VOORPANEEL

U kunt het voorpaneel vergrendelen en ontgrendelen.

De besturingselementen vergrendelen:

- Zorg dat er geen proces actief is
- Voer 30 seconden geen enkele bewerking uit
- Op het display wordt 1 seconde lang "LOC" weergegeven en het toetsenbord wordt automatisch vergrendeld

De besturingselementen ontgrendelen:

- Raak een seconde een willekeurige toets aan: op het display wordt één seconde lang het bericht "UNL" weergegeven

TEMPERATUURINSTELLING

1. Zorg dat het bedieningspaneel niet is vergrendeld en dat er geen proces wordt uitgevoerd.
2. Raak de SET-toets aan, het * LED-lampje gaat knipperen.
3. Wijzig de temperatuurinstelling met behulp van de OMHOOG- en OMLAAG-toetsen.
4. Raak de SET-toets aan of voer 15 seconden geen bewerking uit. Het * LED-lampje stopt met knipperen en de controller sluit deze procedure af.
5. Het proces voor temperatuurinstelling voortijdig afsluiten.
 - a. Raak de AAN/UIT-toets aan (wijzigingen worden niet opgeslagen). U kunt de gewenste werkwaarde ook instellen via de SP-parameter.

HOSHIZAKI

Advance 70-140



TEMPERATUURWEERGAVE (zoals gedetecteerd door sondes)

1. Zorg dat het bedieningspaneel niet is vergrendeld en dat er geen proces wordt uitgevoerd.
2. Druk 4 seconden op de OMLAAG-toets: op het display wordt de eerste beschikbare sonde weergegeven.
3. Selecteer de juiste sonde met behulp van de OMHOOG- en OMLAAG-toetsen.
4. Druk op de SET-toets.

In deze tabel worden de codes voor elke sonde weergegeven.

Label	Weergegeven temperatuur
Pb1	Temperatuur kast
Pb2	Temperatuur verdamper

Om deze procedure te beëindigen, druk de SET - INSTEL toets voor gedurende 60 seconden.

Notitie: Indien de verdamper probe niet aanwezig is, zal de Pb2 Code niet worden weergegeven.

TEMPERATUURALARM

Hieronder vindt u een lijst van alarmen die deze kast kan weergeven.

CODE	ALARMTYPE	KRITIEKE WAARDE
AL	Alarm: lage temperatuur	Lage kasttemperatuur tijdens dit alarm
AH	Alarm: hoge temperatuur	Hoge kasttemperatuur tijdens dit alarm
Id	Alarm: open deur	Maximale kasttemperatuur tijdens dit alarm

Alarmen kunnen alleen worden geregistreerd wanneer de kast is ingeschakeld.

Wanneer de oorzaak van het alarm niet meer aanwezig is, wordt de kast in de normale stand gezet.

TOEGANG TOT DE ALARMGESCHIEDENIS

1. Druk op het DOWN – OMLAAG Knopje voor gedurende 2 seconden om de eerste code weer te geven.
2. Druk op het UP – OMHOOG Knopje en laat deze weer vrij en selecteer LS door middle van het DOWN Knopje in te drukken.
3. Druk op het SET – Insteel Knopje en laat deze weer vrij. button: Dan zal een van de bovenstaande codes worden weergegeven.

Om een alarm te selecteren, druk op het UP – OMHOOG Knopje tot AH wordt weergegeven.

Om een alarm informatieve weer te geven, druk op het SET – INSTEL Knopje en laat deze knopje weer vrij. (De aan en uit knipperende HACCP LED stoppen – uitgaan).

HOSHIZAKI

Advance 70-140



BETEKENIS VAN DISPLAYTEKSTEN

8.0	Kritieke waarden 8,0 °C/°F
Dur	Op het display wordt de alarmtijd getoond
h01	Alarm van 1 uur (cont.)
n15	Alarm van 1 uur en 15 minuten
AH	Geselecteerd alarm

Druk herhaaldelijk op de AAN/STANDBY-toets om de displaygeschiedenis af te sluiten. Als u het proces wilt afsluiten, drukt u herhaaldelijk op de OMHOOG- of OMLAAG-toetsen totdat de kasttemperatuur op het display wordt weergegeven of wacht 60 seconden zonder op een knop te drukken.

Alternatieve afsluitmethode: druk op de AAN/STANDBY-toets en laat deze los. Als er geen alarmen zijn geregistreerd, wordt de LS-code niet weergegeven.

totdat de display de koelingskasttemperatuur weergeeft of wacht voor gedurende 60 seconden zonder op een knopje te drukken.

Alternative Exit Methode: Druk op het ON/STANDBY Knopje en laat deze weer vrij. Indien er geen alarms zijn waargenomen en geregistreerd, zal de LS Code niet worden weergegeven.

FOUTCODES

Code	Beschrijving
Pr1	Sondefout kast
Pr2	Sondefout verdamper

Deze fouten kunnen alleen worden opgelost door gekwalificeerd technisch personeel.

BEDRIJFSSTATUSEN

Hieronder worden de beschikbare bedrijfsstatussen weergegeven:

Status	Beschrijving
ON – AAN	De kast is opgestart en actief
STANDBY	De kast is opgestart maar niet actief
OFF – UIT	De kast heeft geen stroom, de stekker zit niet in het stopcontact of de hoofdschakelaar is uitgeschakeld

BELANGRIJK

Voer geen onderhoud of reparaties uit wanneer de kast in de modus Aan of Stand-by staat. Er kunnen alleen werkzaamheden worden uitgevoerd aan de kast wanneer deze volledig is geïsoleerd van het elektriciteitsnet.

HOSHIZAKI

Advance 70-140



III. AANWIJZINGEN VOOR ONDERHOUD

Dit gedeelte is met name bedoeld voor de eigenaar/gebruiker van het product. Het bevat belangrijke informatie over correct gebruik en het maximaliseren van de levensduur van het product.

Met het oog op mechanische en elektrische gevaren raden we u aan technische werkzaamheden door gekwalificeerde monteurs te laten uitvoeren.

Door een paar eenvoudige stappen tijdens het gebruik en aanpassingen kan het aantal kostbare reparaties door servicemonteurs worden beperkt. Voor deze stappen is geen speciale technische kennis vereist.

BELANGRIJK

WAARSCHUWING: Schakel de stroomtoevoer naar het apparaat uit tijdens reinigings- of onderhoudswerkzaamheden en het vervangen van onderdelen. Als de stekker uit het stopcontact verwijderd is, moet degene die werkzaamheden aan het apparaat verricht er van alle kanten zicht op hebben dat deze niet weer in het stopcontact wordt gestoken.

Voordat u begint met reiniging of onderhoud van het product, moet u volledig zeker zijn dat de elektrische spanning is uitgeschakeld en niet per ongeluk opnieuw kan worden ingeschakeld door iemand anders

LET OP

Was het product niet met water onder hoge druk. Zorg dat er niets kan worden gespoten in de elektrische onderdelen.

REINIGING

- Het wordt aanbevolen de binnenkant van de kast regelmatig schoon te maken met desinfectiemiddelen. Gebruik warm water met een beetje zeep voor het schoonmaken van de binnenkant van de kast.
- Gebruik alleen pH-neutrale of licht alkalische schoonmaakmiddelen voor de binnen- en buitenkant van de kast.
- Schade die wordt veroorzaakt door producten met chemicaliën die roestvrij staal kunnen beschadigen, valt niet onder de garantie.
- Gebruik nooit metalen gereedschappen, metalen schuursponsjes, vloeibaar schuurmiddel of schuurpoeder.
- Verwijder vuil met een vochtige doek.
- Zorg dat de ventilatieroosters van de kast altijd schoon en vrij zijn.
- De schappen kunnen worden verwijderd voor eenvoudige reiniging.
- Zorg dat de schapeleiders en de schappen zelf grondig worden gereinigd.

BELANGRIJK

Het product is vervaardigd uit roestvrij staal. Bij gebruik onder normale omstandigheden corrodeert roestvrij staal niet, maar de corrosie van roestvrij stalen onderdelen kan toch wel optreden indien er bijtende schoonmaakmiddelen worden gebruikt.

HOSHIZAKI

Advance 70-140



ROUTINEONDERHOUD

CONDENSOR

Het is erg belangrijk dat de condensator is staat is tot maximale warmteoverdracht. Het oppervlak van de condensator moet daarom altijd schoon en vrij zijn. Door de werking van de ventilator, hoopt stof zich op en in de condensatorlamellen op. Gebruik een stofzuiger met een borstelhulpstuk om de condensator schoon te maken.

Schenk vooral uw aandacht om te voorkomen dat eventuele schade aan de condensor vinnen of de ventilatorbladen optreedt.

Indien er een filter is, verwijder dat filter om het schoon te maken en daarna te vervangen, verwisselen. Vervang, verwissel het filter indien het beschadigd of te vuil is om goed schoon te kunnen maken.

Let vooral goed op dat u de condensatorlamellen of ventilatorbladen niet beschadigt.

Als er een filter is, verwijdert u het om schoon te maken en plaatst u het filter weer terug. Vervang het filter als het beschadigd is of te vuil om correct te werken.

PAKKINGEN VAN DEUR/LADE

Een pakking in goede staat voorkomt dat vochtigheid en warme lucht in de kast dringen en is daarom essentieel voor een zuinige werking van de kast.

STROOMKABEL

Als de voedingskabel beschadigd is, moet hij om gevaarlijke situaties te voorkomen worden vervangen door de fabrikant, zijn servicemonteur of door personen met vergelijkbare kwalificaties.

VOORBEREIDINGEN VOOR LANGDURIGE PERIODEN ZONDER GEBRUIK

- Schakel elektrische stroom uit bij de hoofdschakelaar of verwijder de stekker uit het stopcontact.
- Verwijder alle voedingsmiddelen – levensmiddelen uit de koelingskast.
- Reinig de behuizing en de koelingskast (Zie: Het Hoofdstuk over de reiniging).
- Verwijder opgehoopt stof en vuil van de compressor.
- Doe de deur niet helemaal dicht, om onaangename geurtjes te voorkomen.

BELANGRIJK

Houdt U er rekening mee dat tijdens het loskoppelen van de koelingskast en tijdens het ontdooien water op de vloer kan druppelen. Dit kan gladheid en schade aan de vloerveroorzaken

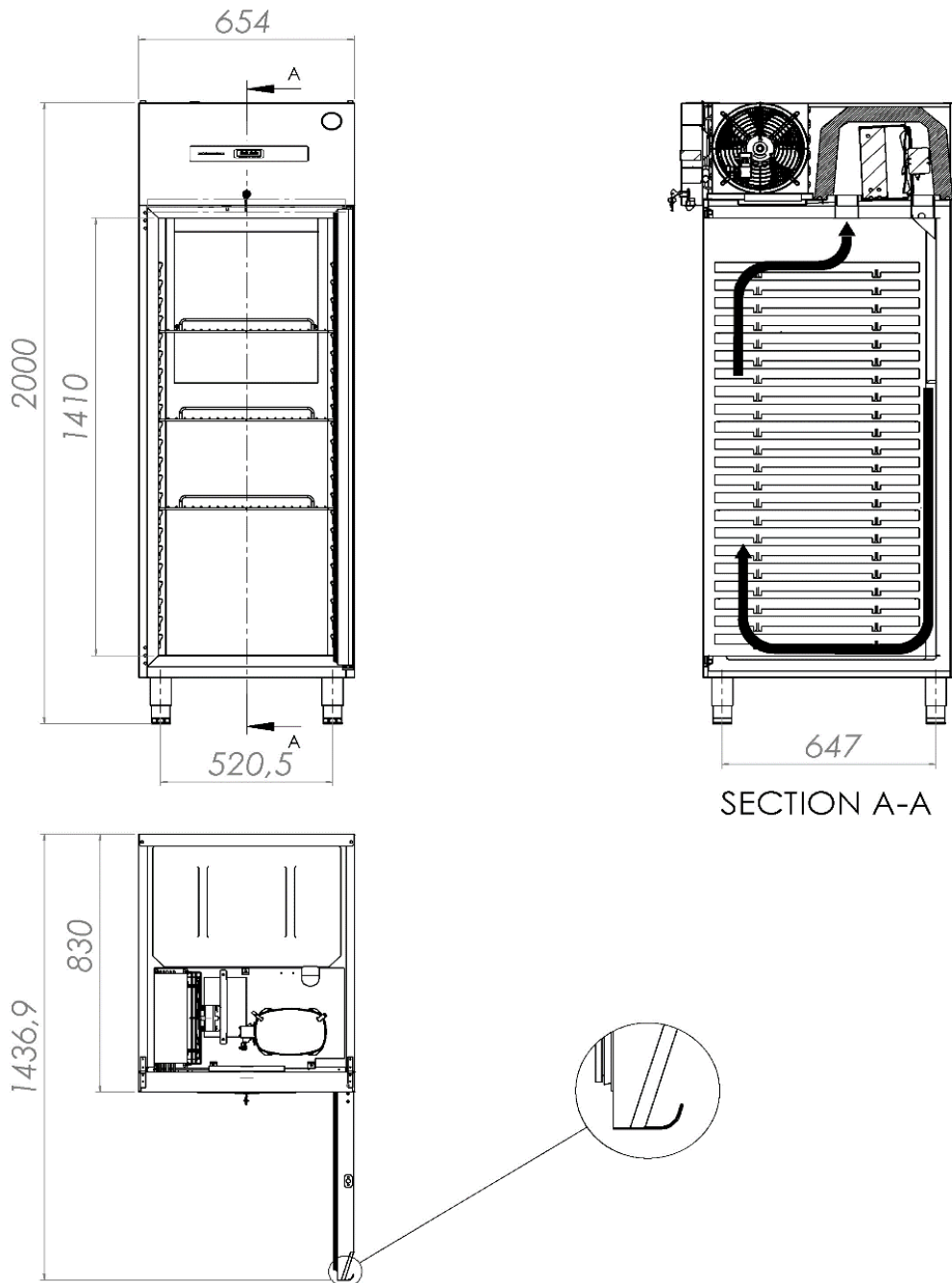
HOSHIZAKI

Advance 70-140



IV. TECHNISCHE INFORMATIE

AFMETINGEN VAN DE PRODUCTEN ADVANCE K70 & ADVANCE F70

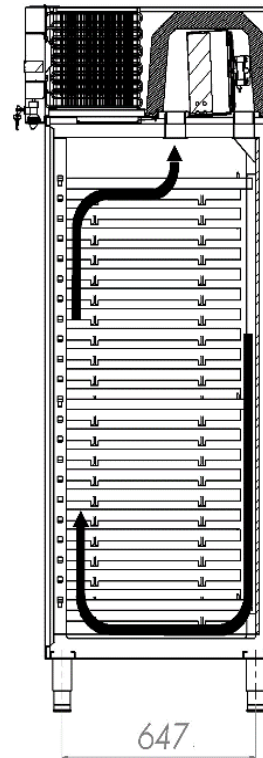
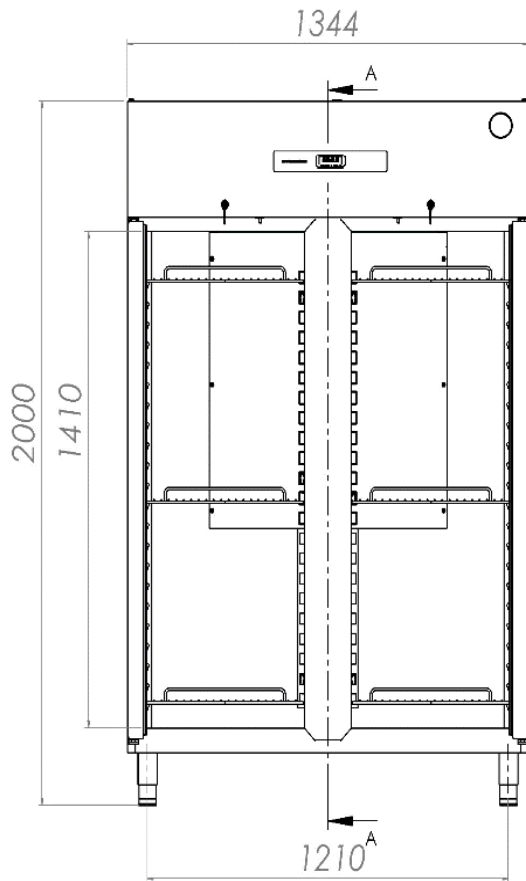


HOSHIZAKI

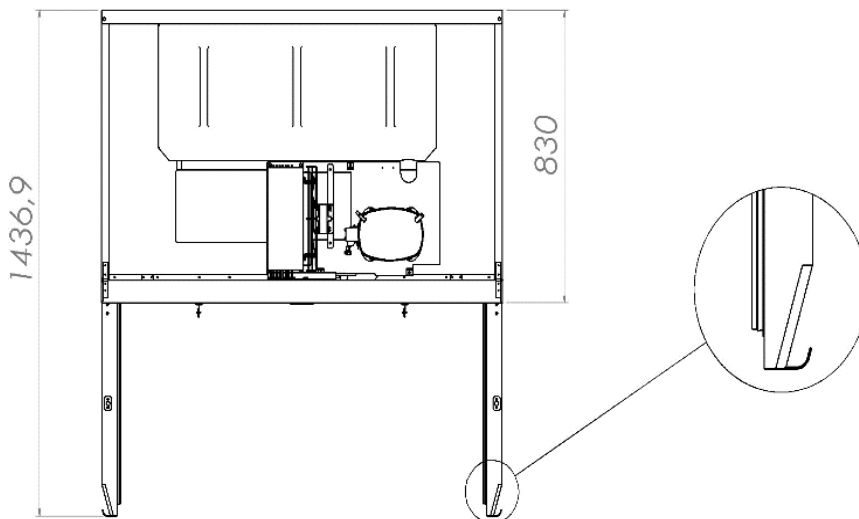
Advance 70-140



ADVANCE F140



SECTION A-A

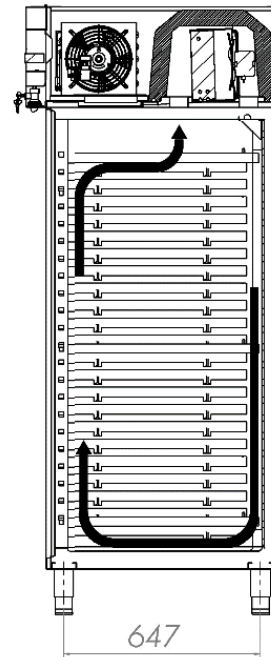
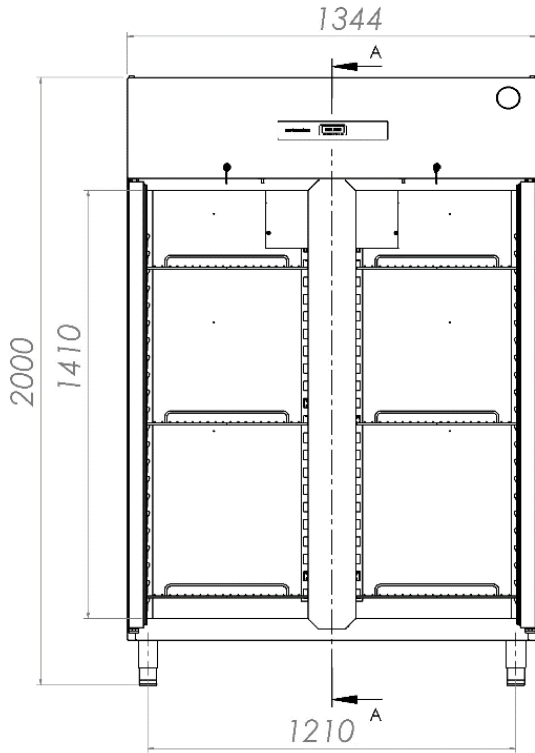


HOSHIZAKI

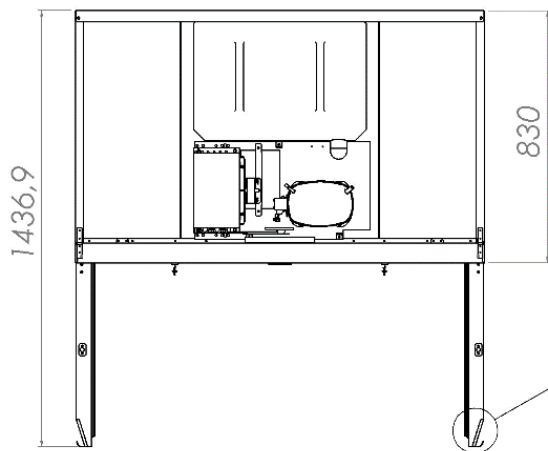
Advance 70-140



ADVANCE K140



SECTION A-A

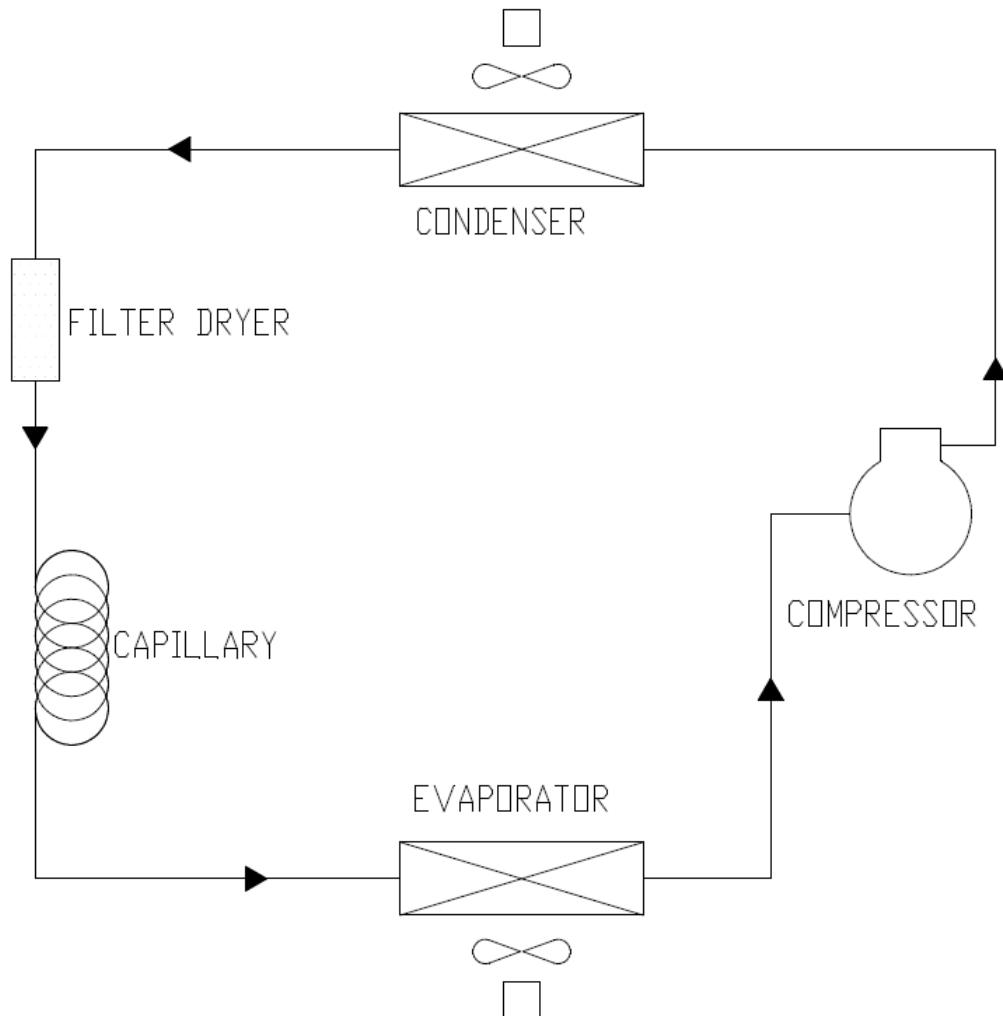


HOSHIZAKI

Advance 70-140



Standaard Koelingsysteem



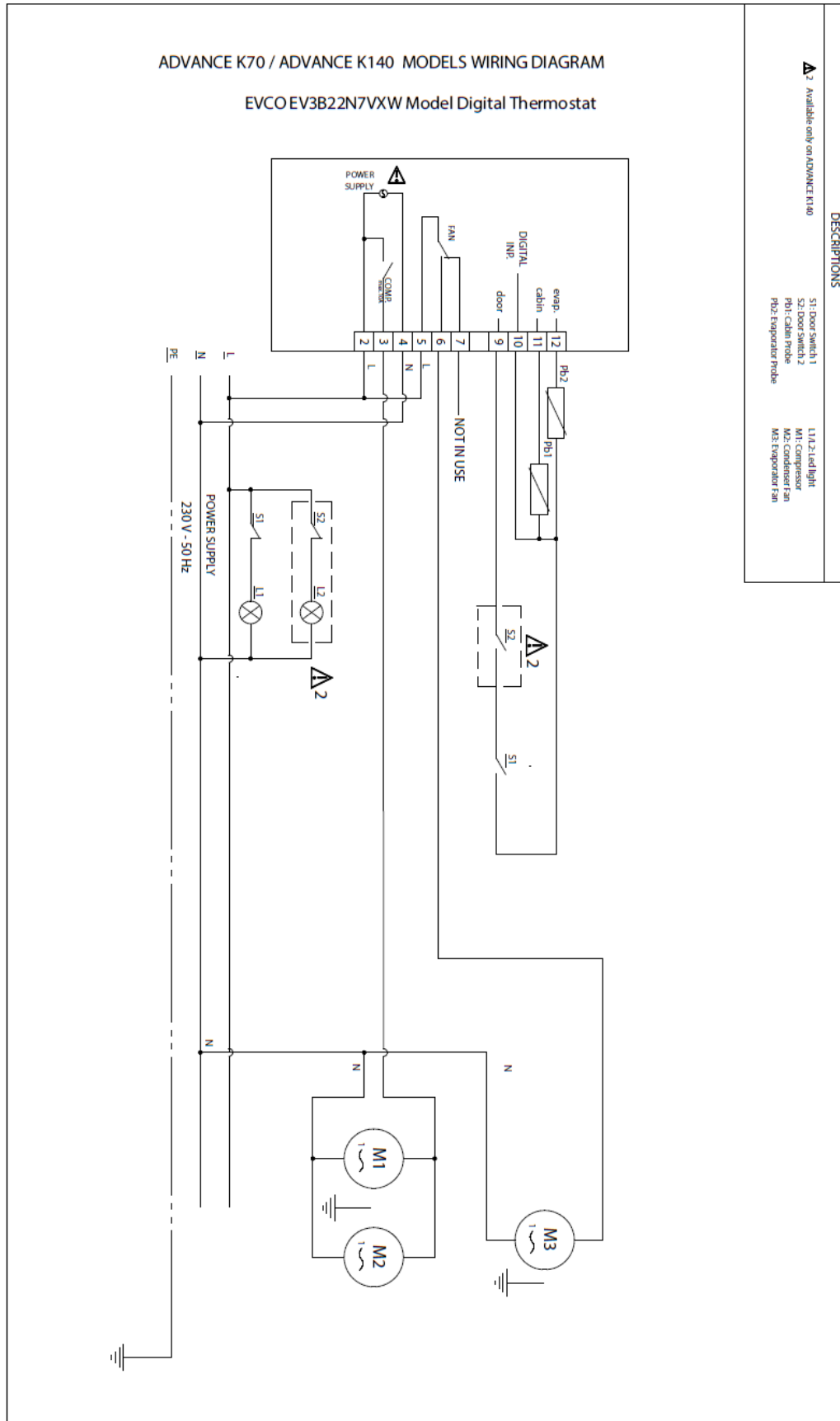
- 1 Compressor
- 2 Condensor(Condenser)
- 3 Filterdroger (Filter Dryer)
- 4 Capillair (Capillary)
- 5 Verdamp(er) (Evaporator)

HOSHIZAKI

Advance 70-140



AANSLUITSCHEMA

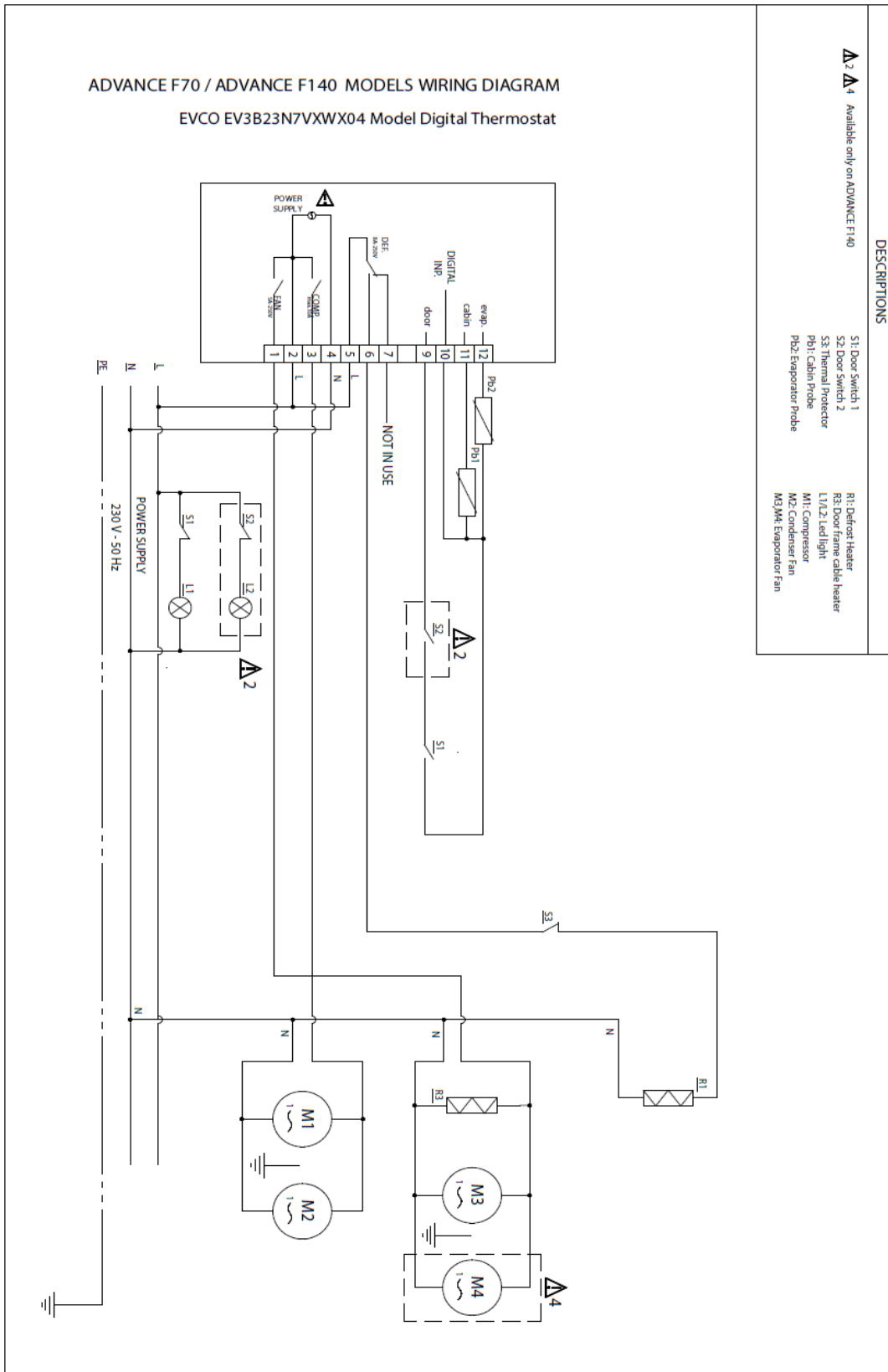


HOSHIZAKI

Advance 70-140



ADVANCE F70 / ADVANCE F140 MODELS WIRING DIAGRAM
EVCO EV3B23N7VXW04 Model Digital Thermostat



DESCRIPTIONS

- △2 △4 Available only on ADVANCE F140
- S1: Door Switch 1
- S2: Door Switch 2
- S3: Thermal Protector
- RH1: Cabin Probe
- RH2: Evaporator Probe
- RH3: Defrost Heater
- RH4: Door Frame cable heater
- L1, L2: Led light
- M1: Compressor
- M2: Condenser Fan
- M3, M4: Evaporator Fan



IV. OPSPOREN EN VERHELPEN VAN STORINGEN

In onderstaande tabel worden verschillende problemen beschreven die kunnen optreden. Als een alarmcode wordt weergegeven, is een storing opgetreden. Los alle mogelijke oorzaken op voordat u de kast reset. Mogelijke oorzaken en oplossingen worden hieronder beschreven.

Als een foutcode zich blijft voordoen nadat u onderstaande controles hebt uitgevoerd, moet u contact opnemen met een geautoriseerde monteur. Bepaal de kenmerken van het foutbericht. Productdetails, zoals het serienummer, vindt u op het typeplaatje van het product.

PROBLEEM	MOGELIJKE OORZAAK	OPLOSSING	
De kast werkt niet	De kast krijgt geen stroom	Controleer de stekker en het netsnoer	
De compressor blijft bijna continu werken	De omgevingstemperatuur is te hoog	Verbeter de ventilatie	
	De condensator of het condensatorfilter is geblokkeerd	Controleer en reinig regelmatig het condensatorfilter	
	Te weinig koelmiddel	Vraag een geautoriseerde monteur het lek te repareren	
	Deurpakkingen dicht niet volledig af	Vraag een geautoriseerde monteur de afdichtingen te vervangen	
	Ijsvorming in de verdamper		Plaats geen hete voedingswaren in de kast
			Plaats alleen voedingswaren met een hoog vochtgehalte in de kast als deze zijn verpakt in afgesloten bakjes Start een handmatige ontdooicyclus
	De ventilator(en) van de verdamper zijn defect	Vraag een geautoriseerde monteur de ventilator(en) te vervangen	
Er stroomt water over van de waterbak van de condensator	Er worden vaak hete voedingswaren in de kast geplaatst	Plaats geen hete voedingswaren in de kast	
		Plaats alleen voedingswaren met een hoog vochtgehalte in afgesloten bakjes in de kast	
	De deur of laden worden vaak geopend	Controleer de kastspecificaties en ga na of deze geschikt zijn voor het huidige gebruik	
Kasttemperatuur is hoog	De condensator is geblokkeerd met vuil en stof	Controleer en reinig regelmatig het condensatorfilter	
	De luchtstroom binnen de kast is geblokkeerd	Verwijder eventuele voedingswaren die de luchtstroom	
	Omgevingslucht komt de kast binnen	Zorg dat de deur is gesloten	
		Controleer of de deur of deurafdichtingen zijn beschadigd Neem contact op met een geautoriseerde monteur	
	Ijsvorming in de verdamper	Start een handmatige ontdooicyclus	



VI. VERWIJDEREN EN VERVANGEN

DE INTERNE KOELKASTLAMP VERVANGEN

- Schakel de stroom uit met de hoofdschakelaar of verwijder de stekker van de kast uit het stopcontact.
- Open de deur.
- Verwijder de schroef waarmee de kap vastzit en til de kap op.
- Zorg dat de nieuwe lamp dezelfde sterkte heeft als de oude lamp. Het voltage en wattage staan vermeld op de gloeilamp.
- Verwijder en vervang de gloeilamp.

DE KAST VERWIJDEREN

- U vindt op het typeplaatje welk koelgas aanwezig is in de kast.
- De kast wordt geproduceerd van recyclebare materialen overeenkomstig EU-regelgeving. Aan het einde van de economische levensduur van de kast moet de kast daarom naar een passend recyclingcentrum worden gebracht.
- Recycle de kast niet als metaal of huishoudelijk afval.
- Zorg dat het koelcircuit van de koelinstallatie niet in elkaar wordt gedrukt.

BELANGRIJK

Houd u aan de lokale wet- en regelgeving tijdens het verwijderen van de kast.

HOSHIZAKI

Advance 70-140



Alle rechten voorbehouden. Hoshizaki behoudt zich het recht voor functies en de inhoud van deze handleiding te wijzigen.

Contactgegevens

Hoofdkantoor

Hoshizaki Europe B.V – All other countries in Europe and Africa

TEL: +31 (0)20 6918499

sales@hoshizaki.nl -- <http://hoshizaki-europe.com/>

Vestigingen

Hoshizaki UK - UK, Ireland

TEL: +44 (0)845 456 05 85

uksales@hoshizaki.co.uk

Hoshizaki Deutschland - Germany, Switzerland, Austria

TEL: +49 (0)5121 697370

vertrieb@hoshizaki.de

Hoshizaki Benelux - Netherlands, Belgium, Luxembourg

TEL: +31 (0)85 0188370

info@hoshizaki.nl

Hoshizaki France - France

TEL: +33 (0)1 48 63 93 80

info@hoshizaki.fr

Hoshizaki Iberia - Spain, Portugal

TEL: +34 (0)93 478 09 52

info@hoshizaki.es

Hoshizaki Denmark - Denmark

TEL: +45 89 88 53 50

salg@hoshizaki.dk

Hoshizaki Norway - Norge

TEL: +47 22 88 17 50

salg@hoshizaki.no

Hoshizaki Sweden - Sverige

TEL: +46 108 84 87 47

OrderSE@hoshizaki.dk

Hoshizaki Italia – Italia

TEL: +39 348 3022156

commerciale@hoshizaki.it

HOSHIZAKI

Advance 70-140



HOSHIZAKI

Advance 70-140



KØLEPRODUKTER OG FRYSERE BETJENINGS-, VEDLIGEHOLDELSSES- OG INSTALLATIONS MANUAL



I.	GENERELLE OPLYSNINGER	107
II.	BETJENINGSVEJLEDNING	110
III.	VEDLIGEHOLDELSSESANVISNINGER	115
IV.	TEKNISKE OPLYSNINGER	117
V.	DIAGNOSTICERING	123
VI.	BORTSKAFFELSE	124

Kontaktoplysninger: HOSHIZAKI EUROPE B.V.

Adresse: Burgemeester Stramanweg 101 1101 AA Amsterdam, Holland

Tlf.: + 31 (0) 20 691 84 99 <http://Hoshizaki-Europe.com/>



HOSHIZAKI

Advance 70-140



I. GENERELLE OPLYSNINGER

TYPENUMMER SKILT

1 Varenummer
2 Produktbeskrivelse
3 Model
4 Kølemiddel (GWP)
5 CO2-ækvivalent
6 IP-beskyttelse
7 Klimaklasse
8 Produktionsdato
9 Samlet effekt / Strøm / Lampeeffekt
10 Elektrisk tilslutning
11 Varmelegemer
12 Systemtryk
13 Blæsemiddel til isolering
14 Serienummer

PRODUCT NUMBER	1
----------------	---



PRODUCT DESCRIPTION	2
MODEL	3
REFRIGERANT	4
CO2 EQUIVALENT	5
IP PROTECTION	6
CLIMATE CLASS	7
PRODUCTION DATE	8
TOTAL POWER / CURRENT / LAMP POWER	9
VOLTAGE - FREQUENCY	10
HEATING ELEMENT	11
SYSTEM PRESSURE	12
BLOWING AGENT	13

S/N: 14



HOSHIZAKI EUROPE B.V. Burgemeester Stramanweg 101 1101 AA
Amsterdam, The Netherlands



ANVENDELSESOMRÅDE

Dette produkt er beregnet til opbevaring af emballerede fødevarer ved en konstant temperatur. Produktet må ikke anvendes til nedkøling eller indfrysning af fødevarer. Opbevaringsenheder designet til opbevaring af produkter, der allerede har køle- / frysetemperatur.

Produktet må kun benyttes til det formål, det er konstrueret til. Enhver anden form for brug kan medføre, at fødevarer, der opbevares i produktet, ikke kan holde den korrekte temperatur.

Produktet er ikke beregnet til opbevaring af blodplasma, laboratorieprøver, lægemidler eller lignende stoffer.

Producenten kan ikke drages til ansvar for eventuelle skader forårsaget af brug, der ikke er i overensstemmelse med retningslinjerne i denne bog..

- Mens fødevarer opbevares i dette produkt, er det nødvendigt at sikre, at fødevarer aldrig kommer i kontakt med produktets indvendige sider eller bund.
- Alle fødevarer skal være helt tildækket. For at undgå forurening og korrosion af interne komponenter skal alle produkter pakkes eller opbevares i forseglede beholdere.
- Opbevar ikke varme fødevarer eller væsker i dette produkt.
- Drikkevarer, der opbevares i beholdere og glasflasker, må ikke opbevares ved temperaturer under 0°C (frysepunkt). Dåser og glasflasker kan sprænges på grund af ekspansion. Beholdere med låg bør ikke fyldes helt: en lille mængde plads bør overlades til ekspansion.
- Dette produkt er udstyret med en automatisk afrimningsfunktion. Det er også muligt at udføre manuel afrimning. Den manuelle afrimning indebærer ikke, at produktet skal slukkes i lange perioder, men kan udføres via produktets styring. Der må under ingen omstændigheder anvendes håndværktøj eller lignende til at afrime dette produkt, da eventuelle skader som følge af en sådan handling er vanskelige at reparere.
- Anvend ikke mekaniske eller alternative afrimningsmidler.
- Enheden bør ikke bruges af personer (inklusive børn) med nedsatte fysiske, sensoriske eller mentale evner eller manglende erfaring og viden, medmindre de har fået ordentlig instruktion eller er under opsyn.
- Børn i varetægt bør ikke lege med enheden

HOSHIZAKI

Advance 70-140



- Rengøring og brugervedligeholdelse bør ikke udføres af børn uden opsyn.
- Denne enhed kan bruges af børn over 8 år og personer med nedsatte fysiske, sensoriske eller mentale evner eller manglende erfaring og viden, forudsat at de nødvendige instruktioner om sikker brug af enheden og de farer, der er forbundet med brugen af enheden, gives.
- Eventuelle elektriske eller mekaniske ændringer af produktet indebærer bortfald af garantien. Ændringer foretaget af ikke-autoriserede serviceteknikere og andre ændringer end dem, der er beskrevet i denne manual, vil også annullere garantien. Producenten påtager sig ikke noget ansvar for skader som følge af sådanne ændringer.

KLIMAKLASSE

Produktet er designet til anvendelse inden for specifikke maksimale, omgivende temperaturer og fugtighedsniveauer. Disse er fastsat i klimaklassesystemet. Disse niveauer må aldrig overskrides. Klimaklassen for dette produkt kan findes på produktets typenummerskilt. Køleskabet er ikke egnet til brug ved omgivende temperaturer under 16°C.

Klimaklasse	Omgivende temperatur og fugtighed
4	+30°C med 55% RF
5	+40°C med 40% RF

MODTAGELSE OG KONTROL AF PRODUKTET

Dette produkt er pakket i beskyttende emballagemateriale ved forsendelse. Ved levering skal produktet kontrolleres for eventuelle transportskader, og at det modtagne produkt svarer til det bestilte.

VIGTIGT

Alle operationer, der er anført nedenfor, skal fuldt ud overholde lovgivning og sikkerhedsregler. Overhold alle gældende sikkerhedsregler, når du betjener dette produkt.

TRANSPORT

Ved løft af produktet ved hjælp af maskiner skal enhver maskines løftekapacitet verificeres, inden sådanne procedurer gennemføres.

VIGTIGT

Når der anvendes en gaffeltruck til at flytte produktet, skal det sikres, at gaflerne er indsat i de relevante åbninger på pallen.

Under transport skal opmærksomheden rettes mod stabiliteten af produktet. Hvis tyngdepunktet ikke ligger centralt, og produktet dermed er i balance, er der risiko for at tabe eller vælte produktet. Ved sænkning af produktet med en gaffeltrucks skal det sikres, at dette sker langsomt og med omhu.

Hvis det bliver nødvendigt at transportere opretstående produkter i vandret stilling, skal det sikres, at produktet har været oprejst i mindst 2 timer, før det startes. Det anbefales ikke at transportere opretstående produkter i liggende stilling, og eventuelle skader som følge af en sådan handling er ikke dækket af garantien.

BEMÆRK

Anbefalingerne trykt på ydersiden af transportemballagen er der for ejeren/brugerens skyld. Følgende anbefalinger skal derfor overholdes:

- Bær produktet forsigtigt
- Hold produktet tørt
- Brug ikke toppen af produktet til opbevaring

HOSHIZAKI

Advance 70-140



ÅBNING AF PAKKEN

- Fjern pap og andet emballagemateriale
- Løft produktet for at afmontere og fjerne det fra emballagepalen
- Placer produktet på den ønskede placering, stående på sin egen base (ben/hjul)
- Kontroller, om der er synlige skader
- Emballagematerialer kan genbruges i henhold til lokale genbrugsregler
- Kontroller, at produktkoden og serienummeret svarer til det samme på alle forsendelsesdokumenter

Køle- og fryseskabe

Varemærke			HOSHIZAKI			
Model			Advance K70	Advance K140	Advance F70	Advance F140
Anvendelse			Opbevaring	Opbevaring	Opbevaring	Opbevaring
Køl			X	X		
Frys					X	X
Alsidig brug						
Opretstående skab			X	X	X	X
Kølebord						
Parameter	Symbol	Enhed				
Energieffektivitetsklasse	EEC	-	C	C	D	D
Energieffektivitetsindeks	EEl	-	42,41	48,32	67,46	67,44
24 timers energiforbrug	E24h	kWh	1,5	2,54	6,546	9,98
Årligt energiforbrug	AEC	kWh	548	926	2389	3642
Nettovolumen for rum 1	Vn eller Vn1	liter	415	398	420	398
Nettovolumen for rum 2	Vn2	liter	-	398	-	398
Nettovolumen for rum 3	Vn3	liter	-	-	-	-
Nettovolumen for rum 4	Vn4	liter	-	-	-	-
Samlet nettovolumen	VnT	liter	415	797	420	797
Klimaklasse	CC		5	5	5	5
Kølemiddel			R290	R290	R290	R290
Kølemiddelfyldning		kg	0.058	0.085	0.082	0.105
GWP			3	3	3	3
CO2-ækvivalent		CO2	0,174	0,255	0,246	0,315
Højtydende; Dette apparat er beregnet til brug ved omgivende temperaturer op til 40 °C			X	X	X	X
Kontaktoplysninger:	HOSHIZAKI EUROPE B.V.					
	Adresse: Burgemeester Stramanweg 101 101AA Amsterdam, The Netherlands Tel.: +31 (0)20 691 8499 http://hoshizaki.europe.com/					

HOSHIZAKI

Advance 70-140



II. BETJENINGSVEJLEDNING

ELEKTRISK TILSLUTNING

Før produktet sluttes til en strømforsyning, skal det kontrolleres, at den angivne elektriske strømforsyning på produktets typenummer skilt svarer til den lokale netværks strømforsyning.

Produkttypenummerskiltet med den specificerede elektriske strømforsyning sidder inde i produktet øverst i venstre side.

Produktet må tilsluttes af brugeren selv. Læs nedenstående grundigt igennem før tilslutning.

GÆLDENDE FOR DANMARK:

Produktet skal tilsluttes i henhold til Stærkstrømsbekendtgørelsen afsnit 8, som indeholder krav om supplerende beskyttelse i form af HFI- eller HPFI afbryder i eksisterende installationer.

Slut kun produktet til den spænding der er angivet på typenummer skiltet. Brug kun den medfølgende ledning til tilslutning til stikkontakt. Brug aldrig en forlængerledning!

Hvis en stikkontakt er placeret i større afstand end den medfølgende lednings længde, kontakt da en autoriseret elinstallatør for opsætning af ny stikkontakt indenfor ledningens radius.

Hvis det observeres, at produktet er behæftet med fejl, skal produktet i garantiperioden undersøges af en autoriseret servicetekniker med kendskab til produktet.

Afbryd altid strømmen, hvis der konstateres driftsforstyrrelser, samt før rengøring og vedligeholdelse af produktet. Reparationer af de elektriske/tekniske komponenter må kun foretages af en autoriseret servicetekniker. Anvend ikke produktet, før alle afskærmninger er monteret, så strømførende eller roterende maskindele ikke kan berøres.

Eventuelle krav om jordtilslutning fra lokale elforsyninger skal efterkommes. Produktets stik og stikkontakt skal have korrekt jordforbindelse. Kontakt evt. en autoriseret elinstallatør.

Hvis der foretages service på de elektriske dele, skal der afbrydes for elforsyningen. Det anbefales at trække stikket ud af stikkontakten. Det er ikke nok at afbryde produktet på tænd/sluk-kontakten, da der stadig vil være spænding til enkelte, elektriske dele.

OPSTILLING AF PRODUKTET

Opstillingsstedets underlag skal være plant og vandret. Har produktet ben, skal det nivelleres så det står helt lige, ved hjælp af de justerbare ben. Er produktet monteret med hjul, skal de to forreste hjuls låseanordninger aktiveres, når produktet er placeret. Underlaget skal være plant, og desuden må produktet ikke opstilles på rammer eller lignende.

Produktet bør anbringes i et tørt og tilstrækkeligt ventileret rum. Efterlad mindst 500 mm fri plads over produktet. For at sikre en effektiv drift skal placering i direkte sollys eller nær varme overflader undgås. Sørg for, at kabinettet er placeret, så tilstrækkelig frisk luft kan strømme til / fra kølekredsen og omkring kabinets overflader.

Undgå opstilling i stærkt klor-/syreholdige omgivelser (svømmehaller og lign.) på grund af fare for korrosion. Produktet må ikke anvendes udendørs.

Produktet samt dele af dets inventar er forsynet med en beskyttende folie, som bør fjernes inden ibrugtagning.

Hvis to køleskabe eller fryserne skal placeres side om side, skal der være mindst 50 mm mellemrum mellem dem. Rengør produktet med en let sæbeopløsning før ibrugtagning.

HOSHIZAKI

Advance 70-140



KONTROL AF EL-TILSLUTNING

- Kontroller, at strømforsyningen er i overensstemmelse med oplysningerne på produktets typenummer skilt.
- Produktet skal tilsluttes en stikkontakt med en 13-16 amp-sikring som en serielforbindelse.
- Sluk for sikringstavlen før ledningen tilsluttes.
- Kontroller, at stikket på produktet er egnet til brug med den tilgængelige stikkontakt, og at de passer sammen.

ALMINDELIG BRUG

Når ovenstående kontrol er afsluttet, kan produktet startes. Tænd/sluk-kontakten betjener produktet. Når produktet er tændt, vil kompressoren begynde at køre. Kompressoren kører, indtil den fabriksindstillede temperatur er nået. Fødevarer bør ikke anbringes i produktet, før temperaturindstillingen er justeret, så den passer til de fødevarer, der skal opbevares. Ny temperaturindstilling kan udføres via styringen som beskrevet i denne manual.

VIGTIGT

- Lad produktet køle af til den indstillede temperatur, før du anbringer fødevarer.
- Overskrid aldrig den maksimale belastningskapacitet. Den maksimale hyldekapacitet er en jævn belastning på 40 kg hver for hylder i opretstående produkter og 20 kg for hylder og skuffer i køleborde.
- Se afsnittet "Opstilling af produktet" i denne manual for oplysninger om krav til god luftventilation omkring produktet.
- Opbevar ikke eksplosive stoffer såsom aerosoldåser med et brændbart drivmiddel i dette apparat.

ADVARSEL

- Undlad at blokere ventilationsåbninger på apparatet når som helst.
- Brug ikke mekaniske anordninger eller andre midler til at fremskynde afrimningsprocessen, bortset fra de af fabrikanten anbefalede.
- Undlad at beskadige kølekredsløbet.
- Brug ikke elektriske apparater inde i kabinettet.

OPBEVARINGSFORHOLD OG YDEEVNE

Korrekte opbevaringsforhold er ikke kun altafgørende for fødevarerhygiejne og -sikkerhed, men forbedrer servicekvaliteten og reducerer energiforbruget. Den bedste ydelse kan opnås, hvis følgende tips og retningslinjer overholdes:

Opbevar kun fødevarer på hylderne, og placer aldrig fødevarer på den indvendige bund i produktet. Fødevarer skal placeres i produktet på en sådan måde, at der tillades god luftstrøm hele vejen rundt.

HOSHIZAKI

Advance 70-140



ELEKTRONISK STYRING



Den elektroniske styring indeholder følgende kontrolelementer og funktioner:

1. Indstil nøgle
 - bruges til at indtaste/indstille input værdier
2. Tænd/sluk-tast
 - Hold nede i 4 sekunder for at tænde eller slukke produktet
3. Ned-tast
 - bruges til at rulle ned gennem menuen eller til at ændre/reducere værdien
4. Op-tast
 - bruges til at rulle op gennem en menu eller til at ændre/øge værdien
 - Hold nede i 4 sekunder for at starte manuel afrimning

FUNKTIONER I STYRINGEN

Betjeningspanelet kan låses og låses op.

Sådan låses betjeningsknapperne:

- Kontroller, at en nogen proces ikke er i gang
- Må ikke betjenes i 30 sekunder
- Displayet viser "LOC" i 1 sekund, og tastaturet låses automatisk

Sådan låses betjeningsknapperne op:

- Tryk på en tast i et sekund: displayet viser beskeden "UNL" i et sekund

TEMPERATURINDSTILLING

1. Kontroller, at betjeningspanelet ikke er låst, og at en proces ikke er i gang.
2. Tryk på SET-tasten, hvorefter *-indikatoren blinker.
3. Skift temperaturindstillingen ved brug af pil op og pil ned.
4. Berør SET-tasten, eller undlad at betjene i 15 sek. * LED-indikatoren vises ikke længere, og styringen afslutter denne proces.
5. Afslutning af temperaturindstillingsprocessen, før den er færdig.
 - a. Tryk på tænd/sluk-tasten (eventuelle ændringer vil ikke blive gemt). Arbejdssætpunktet kan også indstilles via SP-parameteren.

HOSHIZAKI

Advance 70-140



TEMPERATURVISNING (som målt af produktetsfølere)

1. Sørg for, at betjeningspanelet ikke er låst, og at der ikke er nogen proces i gang.
2. Tryk på pil ned i 4 sekunder: displayet viser den første føler, der er tilgængelig.
3. Vælg den korrekte føler ved hjælp af pil op og pil ned.
4. Tryk på SET-tasten.

Denne tabel viser koderne for hver føler.

Etiket	Viste temperatur
Pb1	Produkttemperatur
Pb2	Fordamper temperatur

Tryk på SET-tasten i 60 sekunder, eller undlad at betjene i 60 sekunder for at afslutte processen. Tryk derefter på tænd/sluk-tasten.

Bemærk: Hvis fordamperføleren ikke er til stede, vises Pb2-koden ikke.

TEMPERATUR ALARMER

Dette er en liste over alarmer vist af kabinettet.

KODE	ALARM TYPE	KRITISK VÆRDI
AL	Alarm ved lav temperatur	Lav produkttemperatur under denne alarm
AH	Høj temperatur alarm	Høj produkttemperatur under denne alarm
Id	Åben dør alarm	Maksimal produkttemperatur under denne alarm

Alarmregistreringen kan kun foretages, mens produktet er tændt.

Når årsagen til alarmen ikke længere er til stede, vender produktet tilbage til normal drift.

ADGANG TIL ALARMHISTORIK

1. Tryk på ned-knappen i 2 sekunder for at vise den første kode
2. Tryk på og slip op-knappen, eller vælg LS ved at trykke på ned-knappen
3. Tryk og slip SET-knappen: en af koderne ovenfor vil blive vist.

Hvis du vil se alarmoplysninger, skal du trykke på og slippe tasten SET (den blinkende HACCP-lysdioder stopper).

VIS TEKSTER OG DERES BETYDNING

8.0	Kritiske værdier 8,0 °C/°F
Dur	Displayet viser alarmtidspunktet
h01	1-timers alarm (fortsat)
n15	1 time og 15 minutters alarm
AH	Valgt alarm

HOSHIZAKI

Advance 70-140



Historikdisplayet afsluttes ved at trykke på og slippe knappen TIL/STANDBY gentagne gange.

Tryk gentagne gange på op-eller ned-knappen for at afslutte processen, indtil displayet viser kabinettemperaturen, eller vent 60 sekunder uden at trykke på nogen knapper.

Alternativ exit-metode: Tryk på tænd/STANDBY-knappen, og slip den. Hvis der ikke er registreret alarmer, vises LS-koden ikke.

FEJLKODER

Kode	Beskrivelse
Pr1	Fejl ved produkt føler
Pr2	Fejl ved fordamper føler

Korrektionen af disse fejl kan kun foretages af autoriseret teknisk personale.

DRIFTS STATUS

Tilgængelig drifts status er angivet nedenfor:

Status	Beskrivelse
På	Produktet er tændt og fungerer
STANDBY	Produktet er tændt, men ikke aktiveret
Ud	Produktet har ingen strøm, stikket er ikke i stikkontakten, eller den vigtigste isolator er slukket

VIGTIGT

Udfør ikke vedligeholdelse eller reparation, mens produktet er tændt eller i standby-tilstand. Kun når strømforsyningen er helt afbrudt og ledningen taget ud af stikkontakten, kan der arbejdes med reparation af produktet.

HOSHIZAKI

Advance 70-140



III. VEDLIGEHOLDESESANVISNINGER

Dette afsnit er specielt beregnet til ejeren/brugeren af produktet. Det giver vigtige oplysninger om den korrekte brug og for maksimering af produktets levetid.

Vi anbefaler, at enhver teknisk service udføres af kompetent uddannet personale på grund af arten af mekaniske og elektriske farer.

Få enkle trin under brug og justering kan reducere behovet for dyre reparationer af serviceteknikere.

Disse trin kræver ikke særlig teknisk viden.

VIGTIGT

ADVARSEL: Enheden skal afbrydes fra strømforsyningen under rengøring eller vedligeholdelse og ved udskiftning af dele. Brugeren af enheden skal sørge for, at enhedens kabel ikke er sluttet til strømkilden ved at udføre de nødvendige kontroller.

Før rengøring og vedligeholdelse af produktet skal det sikres, at strømforsyningen er slukket og ikke kan tilsluttes ved et uheld af andre. Kontroller derfor, at ledningen er taget ud af stikkontakten.

BEMÆRK

Produktet må ikke vaskes med højtryksrensere. Undgå enhver risiko for sprøjt på de elektriske komponenter.

RENGØRING

- Det anbefales, at produktets indvendige overflader rengøres med desinficerende rengøringsmidler. Indvendig rengøring af produktet skal ske ved hjælp af varmt vand med en smule sæbe.
- Kun pH-neutrale eller svagt alkaliske rengøringsmidler må anvendes til at rengøre produktet og produktets indvendige overflader.
- Skader forårsaget af rengøringsmidler, der indeholder kemikalier, som kan beskadige rustfrit stål, dækkes ikke af garantien.
- Brug aldrig metalværktøj, metalskuresvampe eller skurecreme eller -pulver.
- Snavs kan fjernes med en fugtig klud.
- Hold ventilationsgitteret på produktet rent og frit for støv.
- Hyldeerne er aftagelige for nem rengøring.
- Sørg for, at hyldebæreskinner og hylde rengøres grundigt.

VIGTIGT

Produktet er fremstillet af rustfrit stål. Når det anvendes under normale forhold, korroderer rustfrit stål ikke, men rustfrit stål korroderer, hvis der anvendes ætsende rengøringsmidler på det.

RUTINEMÆSSIG VEDLIGEHOLDELSE

KONDENSATOR

Det er meget vigtigt, at kondensatoren holdes i stand til maksimal varmeoverførsel. Derfor skal overfladen af kondensatoren altid holdes ren. På grund af effekten af ventilatoren vil støv ophobes på og inde i kondensatorfinnerne. En støvsuger med en børste kan bruges til at rengøre kondensatoren.

Vær særligt opmærksom på at undgå at beskadige kondensatorfinnerne eller ventilatorbladene.

Hvis der er et filter, skal du fjerne filteret for at rengøre det eller udskifte det. Udskift altid filteret, hvis det er beskadiget eller for snavset til at rengøre korrekt.

HOSHIZAKI

Advance 70-140



DØR/SKUFFE TÆTNINGSLISTER

En tætningsliste i god stand vil forhindre indtrængning af fugt og varm luft i produktet, derfor er det afgørende for god, økonomisk drift af produktet, at tætningslisten altid er intakt og slutter tæt.

LEDNING

Hvis forsyningsledningen er beskadiget, skal den udskiftes af producenten, dennes service agent eller tilsvarende kvalificerede personer for at undgå fare.

FORBEREDELSE AF LANGVARIGE PERIODER UDEN BRUG

- Sluk for strømmen ved sikringstavlen og tag el-stikket ud af stikkontakten.
- Fjern alle fødevarer fra produktet.
- Rengør produktet (Se afsnittet om rengøring).
- Fjern akkumuleret støv og snavs fra kompressoren og kondensatoren.
- For at undgå ubehagelige lugte, bør døren altid holdes åben på klem.

BEMÆRK

Ved afbrydelse af produktet skal du være opmærksom på, at optøet vand kan dryppe fra produktet på gulvet. Dette kan forårsage skader på gulvet og glatte forhold.

HOSHIZAKI

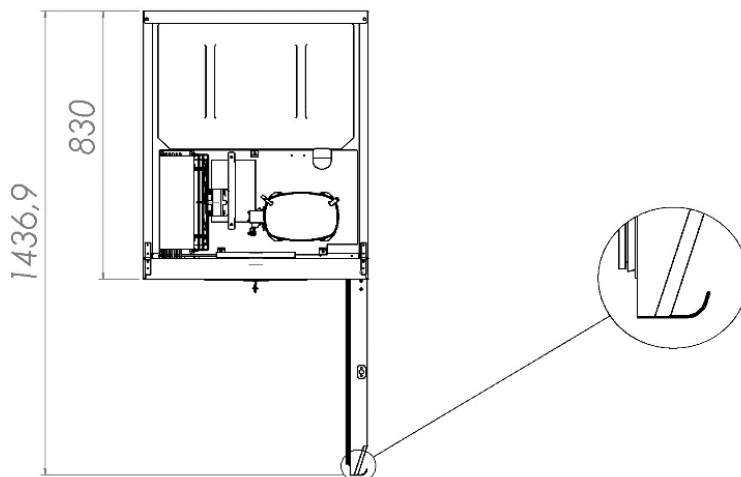
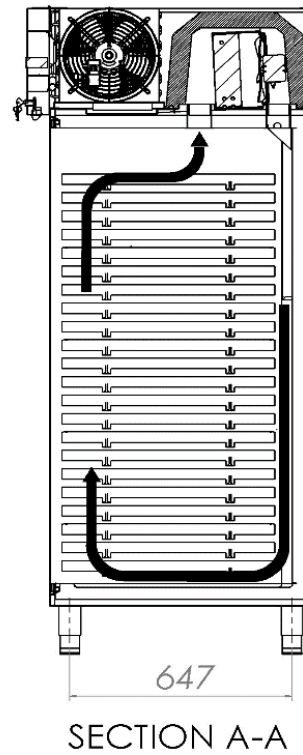
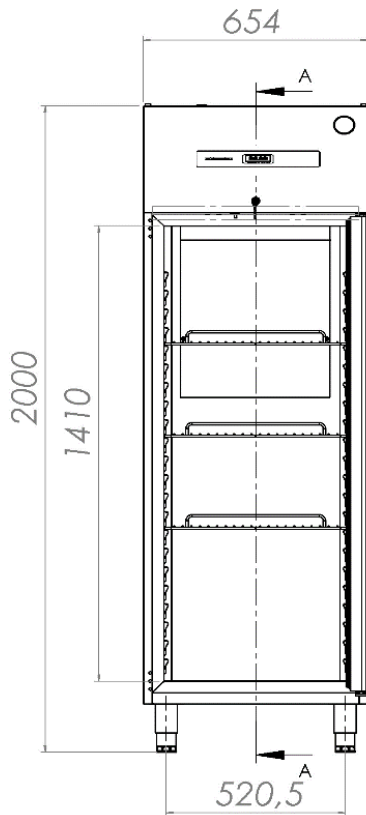
Advance 70-140



IV. TEKNISKE OPLYSNINGER

PRODUKTERNES dimensioner

ADVANCE K70 & ADVANCE F70

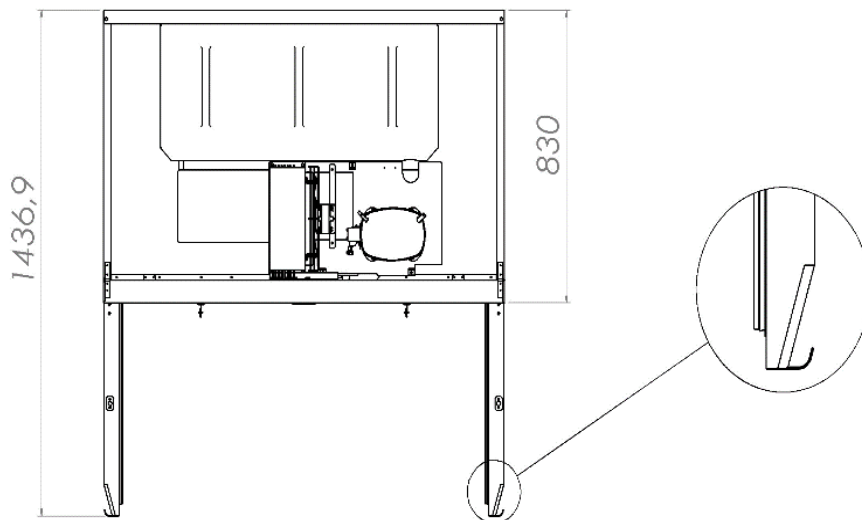
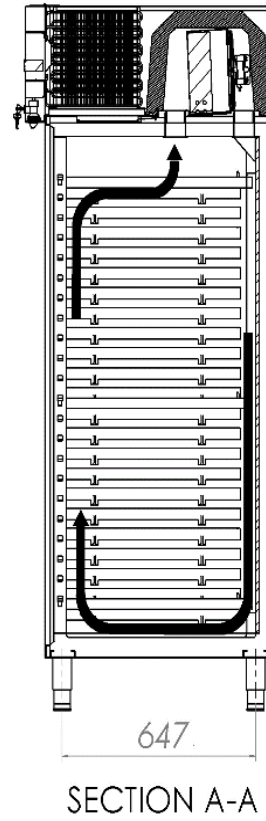
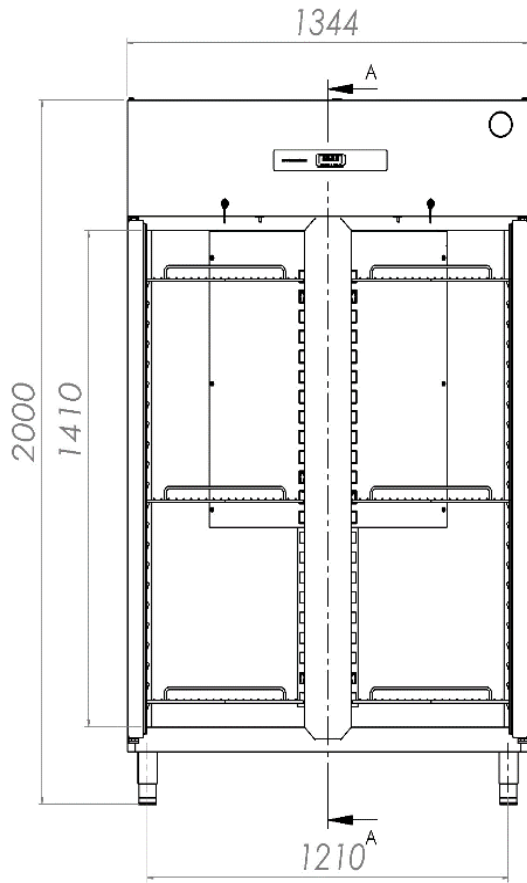


HOSHIZAKI

Advance 70-140



ADVANCE F140

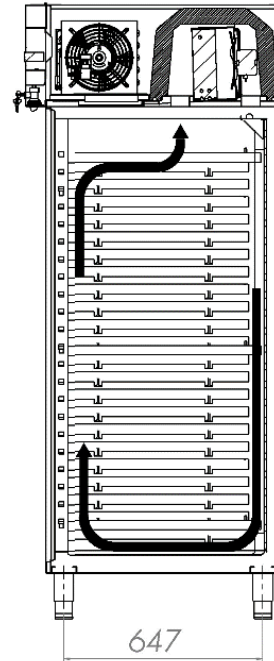
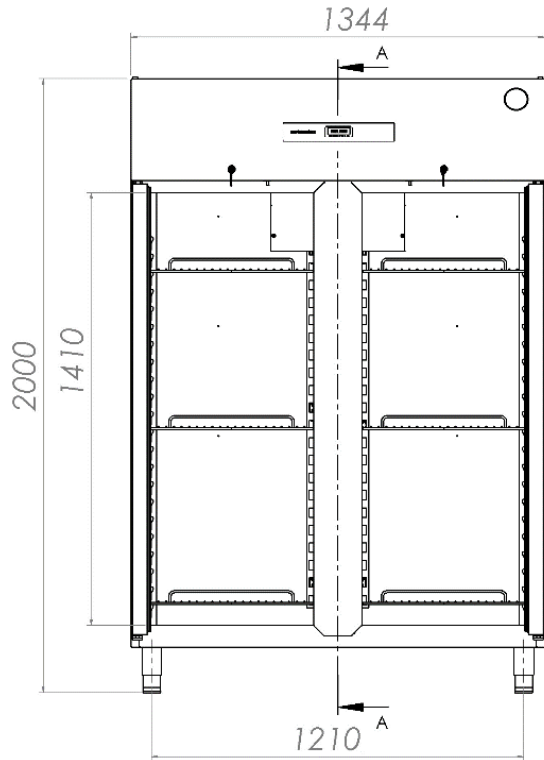


HOSHIZAKI

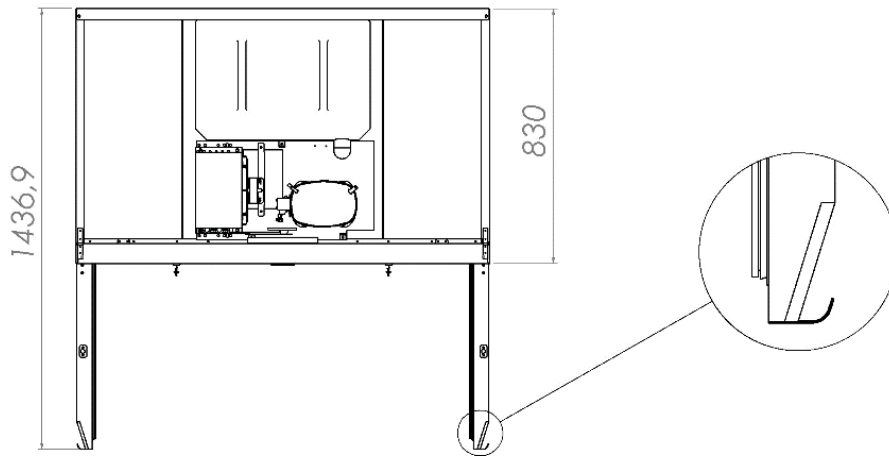
Advance 70-140



ADVANCE K140



SECTION A-A

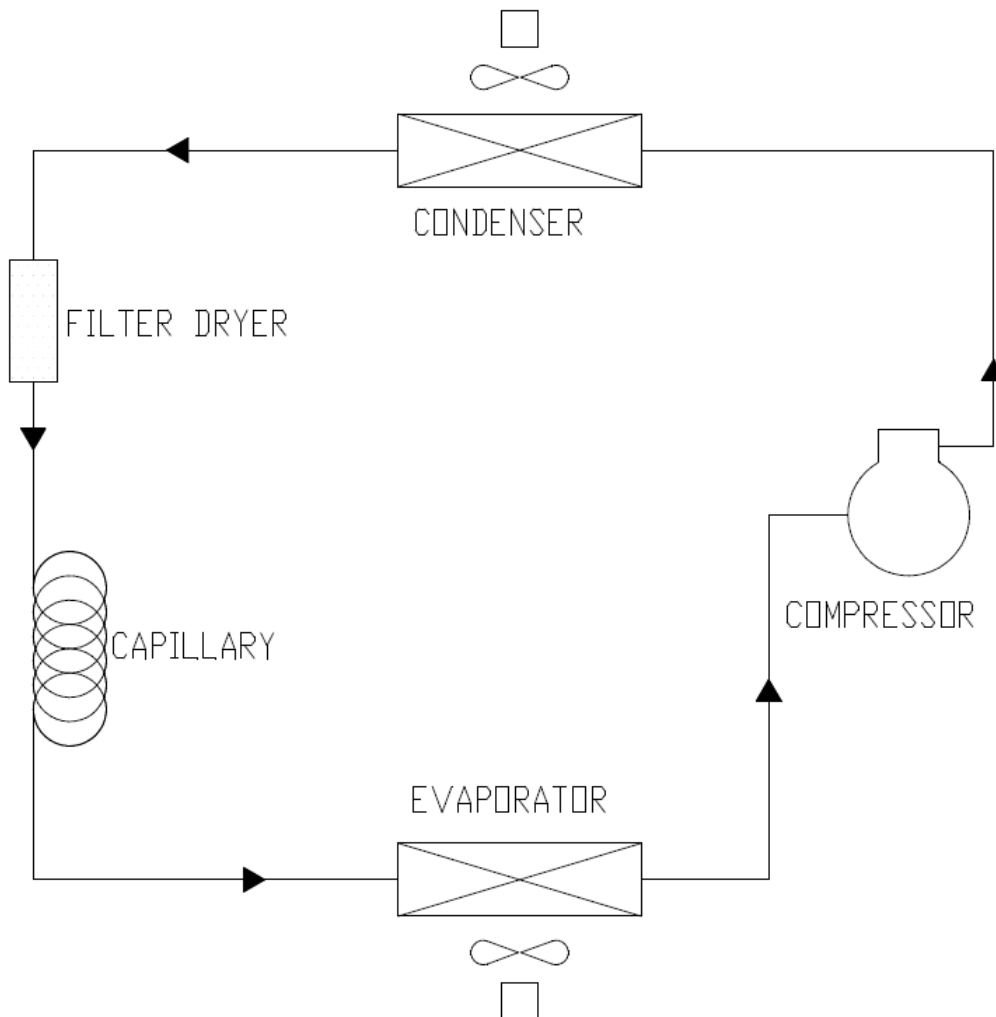


HOSHIZAKI

Advance 70-140



STANDARD KØLESYSTEM



- 1) Kompressor(compressor)
- 2) Kondensator (condenser)
- 3) Tørrefilter(dryer)
- 4) Kapillarrør(capillary)
- 5) Fordamper(evaporator)

HOSHIZAKI

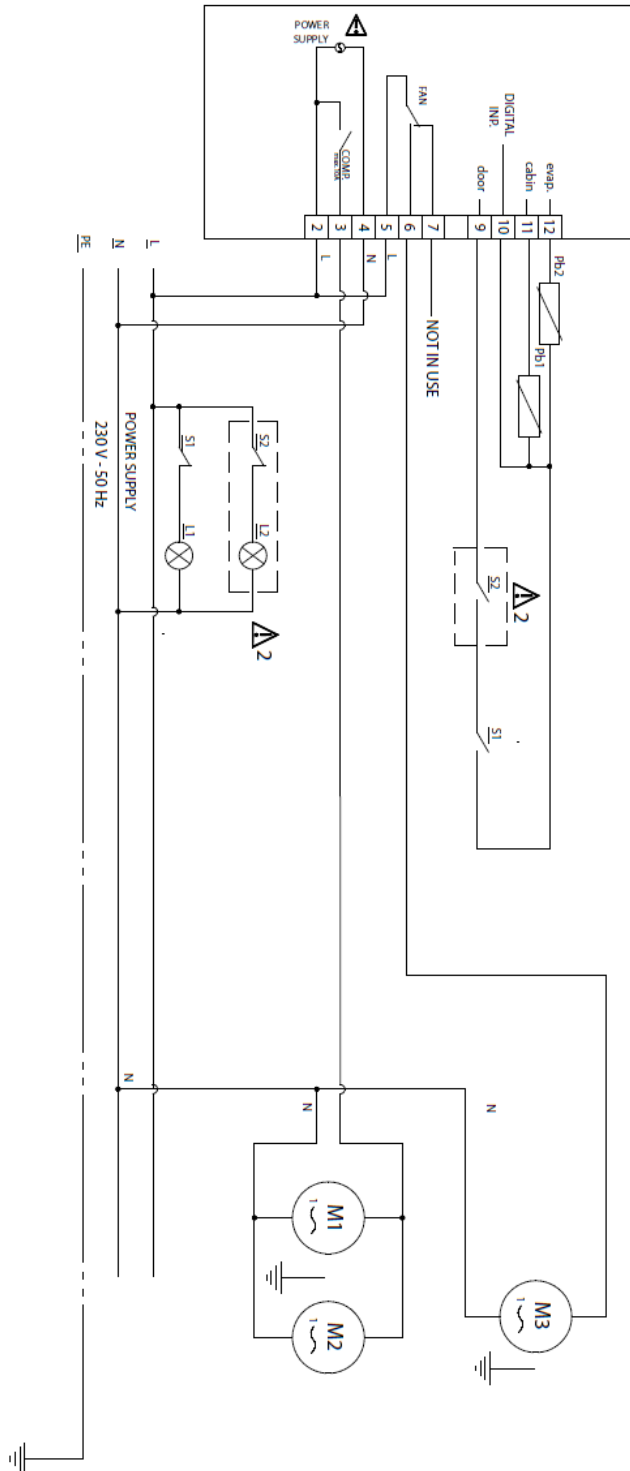
Advance 70-140



TEKNISKE ELEMENTER – ELEKTRICITET

ADVANCE K70 / ADVANCE K140 MODELS WIRING DIAGRAM

EVCO EV3B22N7VXW Model Digital Thermostat



DESCRIPTIONS

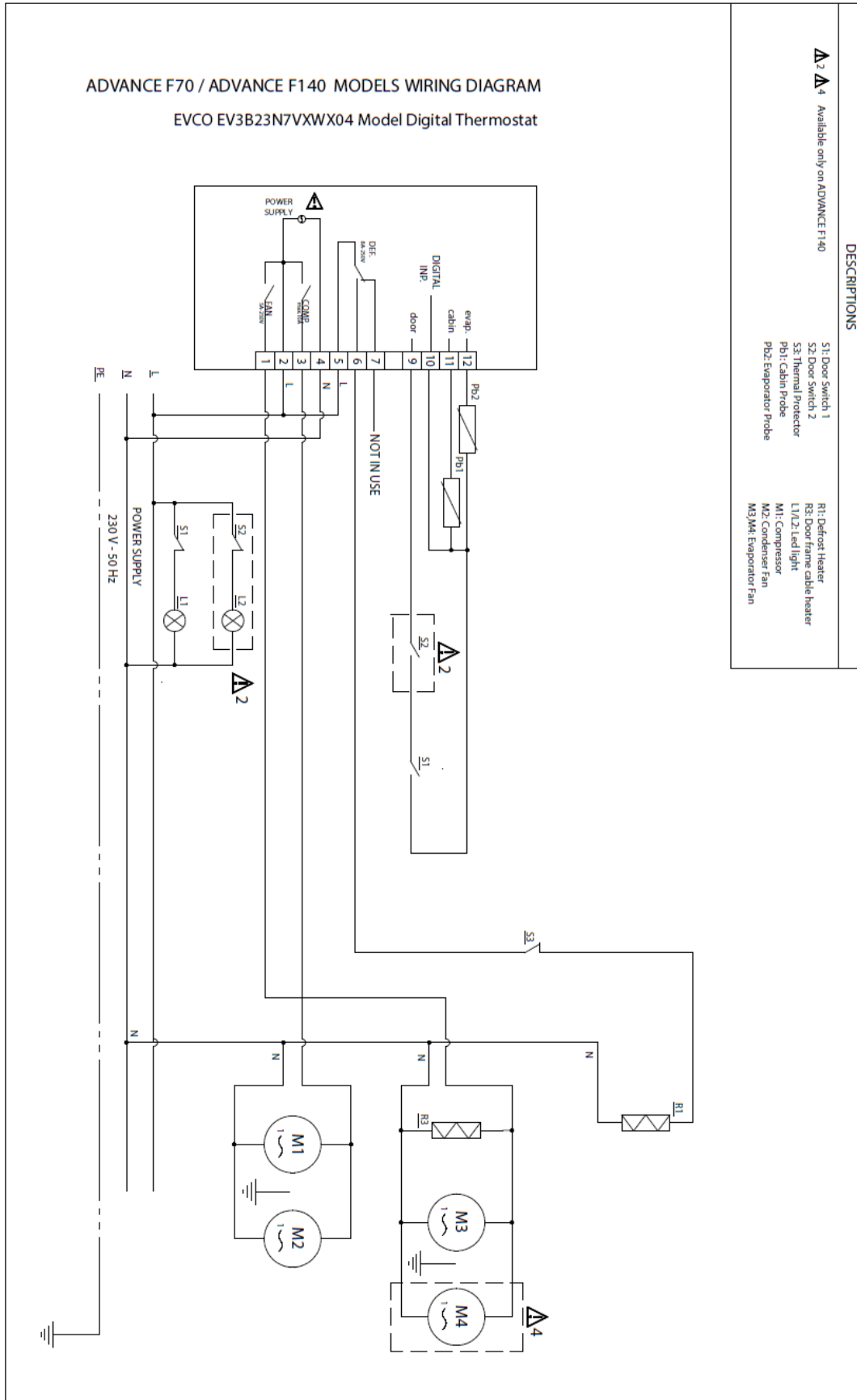
- △2 Available only on ADVANCE K140
- S1: Door switch 1
- S2: Door switch 2
- Pb1: Cabin Probe
- Pb2: Evaporator Probe
- L1/L2: Led light
- M1: Compressor
- M2: Condenser fan
- M3: Evaporator fan

HOSHIZAKI

Advance 70-140



ADVANCE F70 / ADVANCE F140 MODELS WIRING DIAGRAM
 EVCO EV3B23N7VXWX04 Model Digital Thermostat



DESCRIPTIONS

- △: △4 Available only on ADVANCE F140
- S1: Door Switch 1
- S2: Door Switch 2
- S3: Thermal Protector
- Pb1: Cabin Probe
- Pb2: Evaporator Probe
- R1: Defrost Heater
- R3: Door frame cable heater
- L1/L2: Led light
- M1: Compressor
- M2: Condenser Fan
- M3/M4: Evaporator Fan

HOSHIZAKI

Advance 70-140



V. DIAGNOSTICERING

Tabellen nedenfor viser en række problemer, som du kan støde på. Hvis en alarm kode vises, er der opstået en fejl. Afhjælp eventuelle årsager, før produktet forsøges genstartet. Potentielle årsager og afhjælpning er anført nedenfor.

Hvis en fejlkode fortsætter, efter udførelse af kontrollerne nedenfor, bør der tages kontakt til en autoriseret service tekniker. Der oplyses fejl alarm, eventuelle observationer, samt oplysninger om produkttype, model og serienummer, som alle kan findes på produktets typenummer skilt.

PROBLEM	MULIG ÅRSAG	AFHJÆLPNING
Produktet starter ikke	Der er ikke strøm til produktet	Kontroller, at stik og elledning er i orden
Kompressor kører konstant	Omgivende temperatur er for høj	Ventilation skal forbedres
	Kondensator er blokeret	Kontrollér og rengør kondensator regelmæssigt
	Lav kølemiddel fyldning	Tilkald en autoriseret service tekniker for reparation af lækage
	Tætningslister forseglers ikke korrekt	Tilkald en autoriseret service tekniker for udskiftning af
	Fordamper er tiliset	Anbring ikke varme fødevarer i produktet Anbring ikke fødevarer med højt vandindhold i produktet, medmindre de opbevares i forseglede beholdere Start en manuel afrimningscyklus
Overløb af vand fra genfordampningsbakken	Fordamper ventilator/ventilatorer er defekte	Tilkald en autoriseret service tekniker for udskiftning af ventilatoren/ ventilatorerne
	Hyppig placering af varme fødevarer i produktet	Anbring ikke varme fødevarer i produktet Anbring ikke fødevarer med højt vandindhold i produktet, medmindre de opbevares i forseglede beholdere
	Hyppig åbning af dør eller skuffer	Afklar, om brugen af skabet overstiger detspecificerede
Produkttemperaturen er for høj	Kondensator er blokeret med snavs	Kontrollér og rengør kondensator regelmæssigt
	Luftstrømmen i produktet er blokeret	Fjern fødevarer, som blokerer luftstrømmen Hold døren lukket
	Omgivende luft går ind i produktet	Check for beskadigelse af tætningslister på døre og skuffer Kontakt en autoriseret servicetekniker
	Fordamper er tiliset	Udfør en manuel afrimningscyklus

HOSHIZAKI

Advance 70-140



VI. BORTSKAFFELSE

UDSKIFTNING AF DEN INDVENDIGE LED PÆRE

- Sluk for strømmen ved stikkontakten, eller tag netledningen ud af stikkontakten.
- Åbn lågen.
- Fjern skruen, som fastgør baldakinen, og løft derefter baldakinen.
- Kontroller, at den nye pære har samme specifikation som den gamle pære. Spænding og wattforbrug er trykt på pæren.
- Fjern og udskift LED-pæren.

BORTSKAFFELSE AF PRODUKT

- Det anvendte kølemiddel kan identificeres på produktets typeskilt.
- Produktet er fremstillet af genanvendelige materialer i overensstemmelse med EU-reglerne. I slutningen af sit økonomiske levetid skal produktet derfor indleveres til det relevante genbrugscenter til bortskaffelse.
- Produktet må ikke genbruges som metal eller husholdningsaffald.
- Undlad at komprimere køleanlæggets kølekredsløb.

VIGTIGT

Når det udtjente produkt skal bortskaffes, skal det ske på en miljømæssig korrekt og forsvarlig måde.

Elektrisk og elektronisk udstyr (EEE) indeholder materialer, komponenter og stoffer, der kan være farlige og skadelige for menneskers sundhed og for miljøet, når affaldet af elektrisk og elektronisk udstyr (WEEE) ikke bortskaffes korrekt.

Produkter, der er mærket med den "overkrydsede skraldespand", er elektrisk og elektronisk udstyr. Den overkrydsede skraldespand symboliserer, at affald af elektrisk og elektronisk udstyr ikke må bortskaffes sammen med usorteret husholdningsaffald, men skal indsamles særskilt.

Til dette formål har alle kommuner etableret indsamlingsordninger, hvor affald af elektrisk og elektronisk udstyr gratis kan afleveres af borgerne på genbrugsstationer eller andre indsamlingssteder eller hentes direkte fra husholdningerne. Nærmere information fås hos kommunens tekniske forvaltning.

Kontakt forhandleren for yderligere oplysning om bortskaffelse.

Alle rettigheder forbeholdes

Hoshizaki forbeholder sig ret til at ændre alle specifikationer og oplysninger i denne manual.

HOSHIZAKI

Advance 70-140



Alle rettigheder forbeholdes. Hoshizaki forbeholder sig retten til at ændre alle funktioner og oplysninger denne vejledning.

Kontaktoplysninger

Hovedkvarter

Hoshizaki Europe B.V – All other countries in Europe and Africa

TEL: +31 (0)20 6918499

sales@hoshizaki.nl -- <http://hoshizaki-europe.com/>

Filialer

Hoshizaki UK - UK, Ireland

TEL: +44 (0)845 456 05 85

uksales@hoshizaki.co.uk

Hoshizaki Deutschland - Germany, Switzerland, Austria

TEL: +49 (0)5121 697370

vertrieb@hoshizaki.de

Hoshizaki Benelux - Netherlands, Belgium, Luxembourg

TEL: +31 (0)85 0188370

info@hoshizaki.nl

Hoshizaki France - France

TEL: +33 (0)1 48 63 93 80

info@hoshizaki.fr

Hoshizaki Iberia - Spain, Portugal

TEL: +34 (0)93 478 09 52

info@hoshizaki.es

Hoshizaki Denmark - Denmark

TEL: +45 89 88 53 50

salg@hoshizaki.dk

Hoshizaki Norway - Norge

TEL: +47 22 88 17 50

salg@hoshizaki.no

Hoshizaki Sweden - Sverige

TEL: +46 108 84 87 47

OrderSE@hoshizaki.dk

Hoshizaki Italia – Italia

TEL: +39 348 3022156

commerciale@hoshizaki.it

HOSHIZAKI

Advance 70-140



HOSHIZAKI

Advance 70-140



FRIGORIFERI E CONGELATORI

MANUALE D'USO, DI MANUTENZIONE E DI INSTALLAZIONE



I.	INFORMAZIONI GENERALI	128
II.	ISTRUZIONI PER L'USO	132
III.	ISTRUZIONI PER LA MANUTENZIONE	137
IV.	INFORMAZIONI TECNICHE	139
V.	DIAGNOSI DI SERVIZIO	144
VI.	RIMOZIONE E SOSTITUZIONE	145

Informazioni di contatto:

HOSHIZAKI EUROPE B.V.

Indirizzo: Burgemeester Stramanweg 101 1101 AA Amsterdam, Paesi Bassi

Tel: +31 (0)20 691 8499

<http://hoshizaki-europe.com/>



HOSHIZAKI

Advance 70-140



I. INFORMAZIONI GENERALI

ETICHETTA DI DESCRIZIONE DEL PRODOTTO

1 Codice prodotto
2 Descrizione prodotto
3 Modello
4 Refrigerante (GWP)
5 CO2 equivalente
6 Protezione IP
7 Classe climatica
8 Data di produzione
9 Potenza totale / Corrente / Potenza
10 Tensione - Frequenza
11 Elemento riscaldante
12 Pressione impianto
13 Agente gonfiante
14 Numero di serie

NOME DEL PRODOTTO	1
-------------------	---



PRODUCT DESCRIPTION	2
MODEL	3
REFRIGERANT	4
CO2 EQUIVALENT	5
IP PROTECTION	6
CLIMATE CLASS	7
TOTAL POWER / CURRENT / LAMP POWER	8
POWER-CURRENT	9
VOLTAGE - FREQUENCY	10
HEATING ELEMENT	11
SYSTEM PRESSURE	12
BLOWING AGENT	13

S/N: 14



HOSHIZAKI EUROPE B.V. Burgemeester Stramanweg 101 1101 AA
Amsterdam, The Netherlands



MODALITÀ D'USO

- Questo prodotto è idoneo per l'uso solo in ambienti interni e unicamente allo scopo di conservare alimenti e bevande. Unità di conservazione progettate per mantenere il prodotto già alla temperatura del frigorifero/congelatore.
- Il produttore non potrà essere ritenuto responsabile di eventuali danni derivanti da usi diversi da quelli indicati nel presente manuale.
- Accertarsi che gli alimenti conservati in questo armadio frigo non vengano mai a contatto con il corpo dell'armadio stesso.
- Tutti gli alimenti devono essere avvolti completamente. Per evitare la contaminazione e la corrosione dei componenti interni, tutto il prodotto dovrebbe essere imballato o conservato in contenitori sigillati.
- Non riporre alimenti o liquidi caldi in questo armadio frigo.
- Le bevande contenute in cartoni o bottiglie di vetro non devono essere conservate a temperature inferiori a 0°C (punto di congelamento). Le lattine e le bottiglie di vetro potrebbero esplodere a causa dell'espansione. I contenitori provvisti di coperchio non devono essere riempiti completamente: lasciare un po' di spazio libero per consentire l'espansione.
- Questo armadio frigo è dotato di una funzione di sbrinamento automatico. Lo sbrinamento può essere eseguito anche manualmente. Lo sbrinamento manuale non richiede lo spegnimento dell'armadio frigo per un periodo prolungato ma può essere eseguito mediante il controller. Non utilizzare mai la forza o utensili manuali per sbrinare questo armadio frigo; eventuali danni derivanti da tali azioni potrebbero essere irreparabili.
- Non utilizzare mezzi meccanici o alternativi per eseguire lo sbrinamento.
- La macchina non deve essere utilizzata da persone (inclusi i bambini) con capacità fisiche, sensoriali e mentali ridotte o prive dell'esperienza e della conoscenza necessarie, tranne nei casi in cui siano fornite supervisione o istruzioni.
- I bambini devono essere sorvegliati affinché non giochino con la macchina.
- La pulizia e la manutenzione da parte dell'utente non devono essere effettuate da bambini non sorvegliati.

HOSHIZAKI

Advance 70-140



- La macchina può essere utilizzata da persone (inclusi i bambini di età superiore agli 8 anni) con capacità fisiche, sensoriali e mentali ridotte o prive dell'esperienza e della conoscenza necessarie, nel caso in cui siano fornite la supervisione o le istruzioni relative all'utilizzo della macchina in modo sicuro e ne vengano compresi i rischi.
- Qualsiasi modifica elettrica o meccanica apportata all'armadio frigo ne annulla la garanzia. La garanzia risulta nulla anche in caso di modifiche effettuate da tecnici non autorizzati e modifiche diverse da quelle descritte nel presente manuale. Il produttore non potrà essere ritenuto responsabile dei danni derivanti da tali modifiche.

CLASSE CLIMATICA

L'armadio frigo è stato progettato per funzionare entro specifici valori di temperatura ambiente e umidità. Tali valori sono definiti nel sistema delle classi climatiche. Questi livelli non devono mai essere superati. La classe climatica per questo prodotto è indicata sull'etichetta descrittiva del prodotto stesso. Il frigorifero non è adatto all'uso a una temperatura ambiente inferiore a 16 °C.

Classe Climatica	Temperatura Ambiente e Umidità
4	+30°C con 55% RH
5	+40°C con 40% RH

ACCETTAZIONE E CONTROLLI ALLA CONSEGNA

Questo armadio frigo viene avvolto in materiale da imballaggio protettivo per la spedizione. All'atto della consegna, verificare che il prodotto non presenti danni dovuti al trasporto e che il modello corrisponda a quello ordinato.

IMPORTANTE

Le operazioni descritte di seguito devono essere eseguite nel pieno rispetto delle leggi locali e delle norme di sicurezza. Durante l'uso del prodotto è necessario osservare le norme vigenti in materia di sicurezza.

TRASPORTO

Se il prodotto viene sollevato con un macchinario, è necessario verificare la capacità di sollevamento del macchinario prima di eseguire tale operazione.

IMPORTANTE

Se si utilizza un muletto per spostare il prodotto, accertarsi che la forca sia inserita nelle apposite fessure del pallet.

Durante lo spostamento è necessario prestare attenzione alla stabilità del prodotto. Se il centro di gravità non è in posizione corretta, il prodotto potrebbe ribaltarsi. Quando il prodotto viene abbassato con un muletto, accertarsi di eseguire l'operazione lentamente e con la dovuta cura.

Qualora sia necessario trasportare un armadio frigo verticale in posizione orizzontale, assicurarsi che sia stato in posizione verticale per almeno 2 ore prima di farlo funzionare. Si sconsiglia di trasportare un armadio frigo verticale in posizione orizzontale; eventuali danni derivanti da tale azione non sono coperti dalla garanzia.

HOSHIZAKI

Advance 70-140



ATTENZIONE

All'esterno dell'imballaggio sono riportate istruzioni utili per l'utente. Si raccomanda di attenersi alle istruzioni seguenti:

- Maneggiare il prodotto con cura.
- Mantenere il prodotto asciutto. Non appoggiare oggetti sulla parte superiore dell'armadio frigo.

APERTURA DELLA CONFEZIONE

- Rimuovere il cartone e gli altri materiali di imballaggio.
- Sollevare l'armadio frigo per staccarlo e rimuoverlo dal pallet.
- Sistemare l'armadio frigo nella posizione desiderata, in modo che poggi sulla propria base.
- Verificare che il prodotto non presenti danni visibili.
- I materiali di imballaggio possono essere riciclati in base alle norme locali per il riciclo.
- Verificare che il codice e il numero di serie del prodotto corrispondano a quelli riportati nei documenti di spedizione.

Armadi frigo verticali

Marchio Commerciale			HOSHIZAKI			
Modello			Advance K70	Advance K140	Advance F70	Advance F140
Uso previsto			Conservazione	Conservazione	Conservazione	Conservazione
Temperatura di esercizio per la refrigerazione			X	X		
Temperatura di esercizio per il congelamento					X	X
Armadio frigo multiuso						
Armadio frigo verticale			X	X	X	X
Banco refrigerato						
Parametro	Simbolo	Unità di misura				
Classe di efficienza energetica	EEC (CEE)	-	C	C	D	D
Indice di efficienza energetica	EEI (IEE)	-	42,41	48,32	67,46	67,44
Consumo energetico per 24 ore	E24h	kWh	1,5	2,54	6,546	9,98
Consumo energetico annuale	AEC (CEA)	kWh	548	926	2389	3642
Volume netto dello scomparto 1	Vn o Vn1	litro	415	398	420	398
Volume netto dello scomparto 2	Vn2	litro	-	398	-	398
Volume netto dello scomparto 3	Vn3	litro	-	-	-	-
Volume netto dello scomparto 4	Vn4	litro	-	-	-	-
Volume netto totale	VnT	litro	415	797	420	797
Classe climatica	CC		5	5	5	5
Refrigerante			R290	R290	R290	R290
Carico		kg	0.058	0.085	0.082	0.105
GWP			3	3	3	3
CO2 equivalente		CO2	0,174	0,255	0,246	0,315
Uso intensivo; questo apparecchio è stato progettato per l'uso a una temperatura ambiente fino a 40°C.			X	X	X	X
Informazioni di contatto:	HOSHIZAKI EUROPE B.V.					
	Indirizzo: Burgemeester Stramanweg 101 1101 AA Amsterdam, I Paesi Bassi Tel.: +31 (0)20 691 84 99 - http://hoshizaki.europe.com/					

HOSHIZAKI

Advance 70-140



II. ISTRUZIONI PER L'USO

ENERGIA ELETTRICA

Prima di collegare il prodotto alla rete elettrica, verificare che l'alimentazione elettrica indicata sull'etichetta descrittiva del prodotto corrisponda all'alimentazione elettrica fornita dalla rete locale.

L'etichetta descrittiva del prodotto, su cui è riportata l'alimentazione elettrica appropriata, è situata all'interno dell'armadio nella parte superiore sinistra.

L'installazione del prodotto può essere eseguita solo da personale tecnico qualificato e addestrato secondo le specifiche riportate nel presente manuale.

La sicurezza elettrica dell'armadio frigo è garantita solo se l'apparecchio è collegato a terra conformemente alle vigenti leggi e norme locali.

Il collegamento a terra del prodotto è sempre obbligatorio.

Il produttore non potrà essere ritenuto responsabile dei danni derivanti da un'errata messa a terra.

Rispettare i requisiti elettrici previsti dalle norme locali in materia di energia elettrica. La spina elettrica del prodotto e la presa a muro devono essere provviste della corretta messa a terra. In caso di necessità rivolgersi a un elettricista qualificato.

CONTROLLI PRELIMINARI GENERALI

Verificare che l'armadio frigo poggi su una superficie piana e che sia in posizione verticale. A tale scopo, se necessario è possibile utilizzare i piedini regolabili dell'armadio. Tutti i piedini devono essere a contatto con il suolo. Questo è necessario per il corretto funzionamento della porta dell'armadio.

Non collocare l'armadio frigo vicino ad apparecchi che producono calore, quali forni, grill e friggitrice. Non esporre il prodotto alla luce solare diretta. È necessario isolare con un materiale isolante appropriato le pareti e i pavimenti che potrebbero irradiare calore. L'armadio frigo deve essere sistemato più lontano possibile da qualsiasi sorgente di calore.

Se l'armadio frigo viene spostato, lasciare trascorrere almeno tre ore prima di riaccenderlo. Rimuovere le protezioni in plastica e il nastro dalle superfici esterne.

Accertarsi che il prodotto sia posizionato in modo da consentire una sufficiente circolazione d'aria fresca al/dal circuito di raffreddamento e intorno alle superfici dell'armadio. Lasciare almeno 500 mm di spazio libero al di sopra dell'armadio.

Se due frigoriferi o congelatori vengono messi uno accanto all'altro, devono esserci almeno 50 mm di spazio tra essi.

Non bloccare i fori di ventilazione.

HOSHIZAKI

Advance 70-140



CONTROLLO PRELIMINARE DEI COLLEGAMENTI ELETTRICI

- Verificare che la tensione di rete e la frequenza della presa elettrica siano conformi ai dati riportati sull'etichetta descrittiva del prodotto.
- L'armadio frigo è collegato a una presa di alimentazione con un fusibile da 13-16 Amp con connessione seriale.
- Disattivare il fusibile di rete collegato al cavo di alimentazione.
- Verificare che la spina dell'apparecchio sia idonea per l'uso con la presa di rete disponibile e che la spina e la presa siano adatte una all'altra.

PRIME OPERAZIONI E CONTROLLI

Dopo avere eseguito i controlli descritti sopra, è possibile iniziare ad usare l'armadio frigo. L'interruttore ON/OFF consente di azionare l'apparecchio.

Quando si accende l'armadio frigo mediante l'interruttore ON, il compressore viene attivato. Il compressore rimane attivo fino a quando non viene raggiunta la temperatura preimpostata in fabbrica. Prima di riporre alimenti nell'armadio frigo, occorre regolare l'impostazione di temperatura in base agli alimenti da refrigerare.

Per impostare nuovi valori di temperatura, utilizzare il controller nel modo descritto in questo manuale.

IMPORTANTE

- Prima di introdurre alimenti nell'armadio frigo, lasciare raffreddare l'apparecchio alla temperatura impostata.
- Non superare mai la capacità di carico massima. La capacità massima dei ripiani corrisponde a un carico uniforme di 40 kg per ogni ripiano negli armadi frigo verticali e di 20 kg per i ripiani e i cassetti nei banchi refrigerati.
- Per informazioni sulla quantità di spazio necessaria per garantire un'adeguata ventilazione intorno al prodotto, vedere la sezione "Controlli preliminari generali" del presente manuale.
- Non conservare sostanze esplosive, quali bombolette spray con propellente infiammabile, all'interno di questo apparecchio.

AVVERTENZA:

- Non ostruire in alcun momento le fessure di ventilazione dell'apparecchio.
- Non utilizzare dispositivi meccanici o altri mezzi diversi da quelli indicati dal produttore per accelerare il processo di sbrinamento.
- Evitare di danneggiare il circuito del refrigerante.
- Non utilizzare apparecchi elettrici all'interno dell'armadio frigo.

CONDIZIONI DI CONSERVAZIONE E PRESTAZIONI

Le corrette condizioni di conservazione non sono solo fondamentali per l'igiene e la sicurezza alimentare, ma migliorano la qualità del servizio e riducono il consumo di energia. È possibile ottenere le migliori prestazioni se si osservano i seguenti suggerimenti e linee guida: tenere tutti gli alimenti solo sugli scaffali e non posizionare mai gli alimenti sul pavimento dell'armadietto.

Gli alimenti devono essere collocati nell'armadietto o nel bancone in modo tale da consentire un buon flusso d'aria tutt'intorno, lasciando spazio tra gli oggetti e le pareti del prodotto. Se necessario, la distanza del ripiano può essere regolata di conseguenza.

HOSHIZAKI

Advance 70-140



PANNELLO DI CONTROLLO



Il pannello di controllo fornisce i comandi e le funzioni seguenti:

1. Tasto SET (impostazione)
 - Consente di immettere/impostare i valori desiderati.
2. Tasto ON/OFF (accensione/spegnimento)
 - Tenere premuto questo tasto per 4 secondi per accendere o spegnere l'armadio frigo
3. Tasto freccia GIÙ
 - Consente di scorrere il menu verso il basso e di modificare/ridurre il valore.
4. Tasto freccia SU
 - Consente di scorrere il menu verso l'alto e di modificare/aumentare il valore.
 - Tenere premuto il tasto per 4 secondi per avviare lo SBRINAMENTO MANUALE.

FUNZIONI DEL PANNELLO ANTERIORE

È possibile bloccare e sbloccare il pannello di controllo.

Per bloccare i comandi:

- Accertarsi che non sia in corso alcuna procedura.
- Non eseguire alcuna operazione per 30 secondi.
- Sul display viene visualizzato "LOC" per 1 secondo e la tastiera si blocca automaticamente.

Per sbloccare i comandi:

- Toccare un tasto per un secondo: sul display viene visualizzato il messaggio "UNL" per un secondo.

IMPOSTAZIONE DELLA TEMPERATURA

1. Accertarsi che il pannello di controllo non sia bloccato e che non sia in corso alcuna procedura.
2. Toccare il tasto SET, l'indicatore LED * inizia a lampeggiare.
3. Modificare l'impostazione della temperatura per mezzo delle frecce SU e GIÙ.
4. Toccare il tasto SET o non eseguire alcuna operazione per 15 secondi. L'indicatore LED * si spegne e il controller esce dalla procedura.
5. Per uscire dalla procedura di impostazione della temperatura prima del completamento:
 - a. Toccare il tasto ON/OFF (le modifiche non verranno salvate). Il valore può essere impostato anche mediante il parametro SP.

HOSHIZAKI

Advance 70-140



VISUALIZZAZIONE DELLA TEMPERATURA (rilevata dalle sonde)

1. Accertarsi che il pannello di controllo non sia bloccato e che non sia in corso alcuna procedura.
2. Tenere premuto il tasto freccia GIÙ per 4 secondi: sul display viene visualizzata la prima sonda disponibile.
3. Selezionare la sonda corretta mediante i tasti freccia SU e GIÙ.
4. Premere il tasto SET.

Nella tabella seguente sono indicati i codici per ogni sonda.

Etichetta	Temperatura visualizzata
Pb1	Temperatura dell'armadio frigo
Pb2	Temperatura dell'evaporatore

Per uscire dalla procedura premere il tasto SET per 60 secondi o non operare per 60 secondi. Quindi premere il tasto ON/OFF.

Nota: se la sonda evaporatore non è presente, il codice Pb2 non verrà visualizzato.

ALLARMI DI TEMPERATURA

Nella tabella seguente sono indicati gli allarmi emessi dall'armadio frigo.

CODICE	TIPO DI ALLARME	VALORE CRITICO
AL	Allarme di temperatura bassa	Questo allarme indica che la temperatura dell'armadio frigo è bassa.
AH	Allarme di temperatura alta	Questo allarme indica che la temperatura dell'armadio frigo è alta.
Id	Allarme di porta aperta	Questo allarme indica che la temperatura dell'armadio frigo ha raggiunto il livello massimo.

La registrazione degli allarmi è possibile solo quando l'armadio frigo è acceso.

Quando la situazione che ha causato l'allarme non sussiste più, viene ripristinato il normale funzionamento dell'apparecchio.

ACCESSO ALLA CRONOLOGIA DEGLI ALLARMI

1. Premere il tasto freccia GIÙ per 2 secondi per visualizzare il primo codice.
2. Premere e rilasciare il tasto freccia SU o selezionare LS premendo il tasto freccia GIÙ.
3. Premere e rilasciare il tasto SET: verrà mostrato uno dei codici di cui sopra

Per selezionare un allarme, premere il pulsante SU finché non viene visualizzato AH.

Per visualizzare le informazioni sull'allarme premere e rilasciare il tasto SET (il LED HACCP lampeggiante si spegnerà).

TESTI A DISPLAY E LORO SIGNIFICATO

8.0	Valore critico 8,0 °C
Dur	Il display indica la durata dell'allarme
h01	Allarme di 1 ora (cont.)
n15	Allarme di 1 ora e 15 minuti
AH	Allarme selezionato

Per uscire dalla visualizzazione della cronologia, premere e rilasciare ripetutamente il tasto ON/STANDBY.

HOSHIZAKI

Advance 70-140



Per uscire dalla procedura, premere ripetutamente il tasto freccia SU o GIÙ finché sul display non viene visualizzata la temperatura dell'armadio frigo oppure attendere 60 secondi senza premere alcun tasto.

Metodo di uscita alternativo: premere e rilasciare il tasto ON/STANDBY. Se non è stato registrato alcun allarme, il codice LS non viene visualizzato.

CODICI DI ERRORE

Codice	Descrizione
Pr1	Errore della sonda dell'armadio frigo
Pr2	Errore della sonda dell'evaporatore

Questi errori possono essere corretti solo da personale tecnico qualificato.

STATI DI FUNZIONAMENTO

Gli stati di funzionamento possibili sono indicati di seguito:

Stato	Descrizione
ON	L'armadio frigo è alimentato e funzionante.
STANDBY	L'armadio frigo è alimentato ma è spento.
OFF	L'armadio frigo non è alimentato, la spina non è collegata alla presa o il sezionatore principale è disattivato

IMPORTANTE

Non eseguire interventi di manutenzione o riparazione mentre l'armadio frigo è in modalità ON o STANDBY. È possibile eseguire i suddetti interventi solo quando l'armadio frigo è completamente isolato dall'alimentazione elettrica.

HOSHIZAKI

Advance 70-140



III. ISTRUZIONI PER LA MANUTENZIONE

Questa sezione è rivolta specificamente al proprietario o all'utilizzatore del prodotto. Fornisce informazioni importanti sulle corrette modalità d'uso e sull'ottimizzazione del ciclo di vita del prodotto.

Si raccomanda che qualsiasi servizio tecnico sia eseguito da personale competente e preparato a causa della natura dei rischi meccanici ed elettrici.

Alcuni semplici accorgimenti durante l'uso e le regolazioni possono ridurre la necessità di costose riparazioni da parte dei tecnici dell'assistenza. Le operazioni descritte non richiedono particolari conoscenze tecniche.

IMPORTANTE

AVVERTENZA: la macchina deve essere scollegata dalla sua fonte di alimentazione durante la pulizia, la manutenzione o la sostituzione di parti. La rimozione della spina deve essere tale che un operatore possa controllare che la spina rimanga scollegata da qualsiasi punto a cui ha accesso.

Prima di eseguire la pulizia e la manutenzione del prodotto, accertarsi che l'apparecchio sia scollegato dall'alimentazione elettrica e che non possa essere ricollegato accidentalmente da nessuno.

ATTENZIONE

Non lavare il prodotto con acqua ad alta pressione. Evitare di spruzzare liquido sui componenti elettrici.

PULIZIA

- È consigliabile pulire periodicamente l'interno dell'armadio frigo con un detergente disinfettante. Per pulire l'interno dell'armadio frigo, usare acqua tiepida leggermente saponata.
- Per pulire l'interno e l'esterno dell'armadio frigo, usare solo detersivi con un pH neutro o leggermente alcalino.
- Eventuali danni derivanti dall'uso di detersivi contenenti sostanze chimiche che possono rovinare l'acciaio inox non sono coperti dalla garanzia.
- Non usare mai utensili in metallo, spugnette metalliche, creme o polveri abrasive.
- Rimuovere la sporcizia con un panno umido.
- Mantenere sempre pulite le griglie di ventilazione dell'armadio frigo e accertarsi che non siano ostruite.
- I ripiani sono rimovibili per agevolare la pulizia.
- Accertarsi che le guide di scorrimento per i ripiani e i ripiani stessi siano perfettamente puliti.

IMPORTANTE

Il prodotto è realizzato in acciaio inox. In condizioni d'uso normali l'acciaio inox non si corrode; tuttavia l'uso di detersivi corrosivi ne provoca il danneggiamento.

MANUTENZIONE ORDINARIA

CONDENSATORE

È molto importante che il condensatore sia in grado di trasferire la quantità massima di calore. Per tale motivo la superficie del condensatore deve essere sempre pulita e libera. Il funzionamento della ventola favorisce l'accumulo di polvere sulle alette del condensatore e al loro interno. Per pulire il condensatore è possibile utilizzare un aspirapolvere con l'accessorio spazzola.

HOSHIZAKI

Advance 70-140



GUARNIZIONI DI PORTE E CASSETTI

Guarnizioni in buone condizioni impediscono l'ingresso di umidità e aria calda nell'armadio frigo, pertanto sono fondamentali per il funzionamento efficiente del prodotto.

CAVO DI ALIMENTAZIONE

Se il cavo di alimentazione è danneggiato, deve essere sostituito dal produttore, da un tecnico dell'assistenza o da altra persona qualificata onde evitare rischi.

PREPARAZIONE PER PERIODI DI INATTIVITÀ PROLUNGATI

- Scollegare l'alimentazione disattivando il sezionatore principale o rimuovere la spina dell'armadio frigo dalla presa elettrica.
- Rimuovere tutti gli alimenti dall'armadio frigo.
- Pulire l'armadio frigo (vedere la sezione dedicata alla pulizia).
- Rimuovere la polvere e la sporcizia dal compressore.
- Per prevenire l'emissione di odori sgradevoli, lasciare la porta leggermente socchiusa.

ATTENZIONE

Quando il prodotto viene scollegato, l'acqua di sbrinamento potrebbe gocciolare dall'armadio frigo sul pavimento. Ciò potrebbe danneggiare il pavimento nonché renderlo scivoloso.

HOSHIZAKI

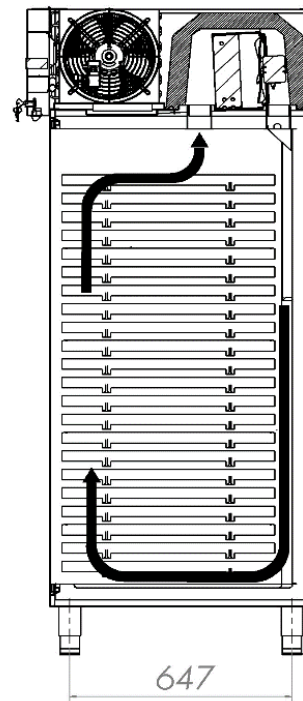
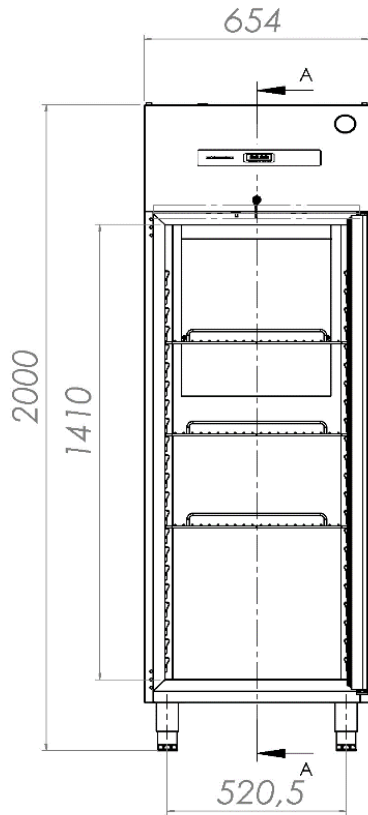
Advance 70-140



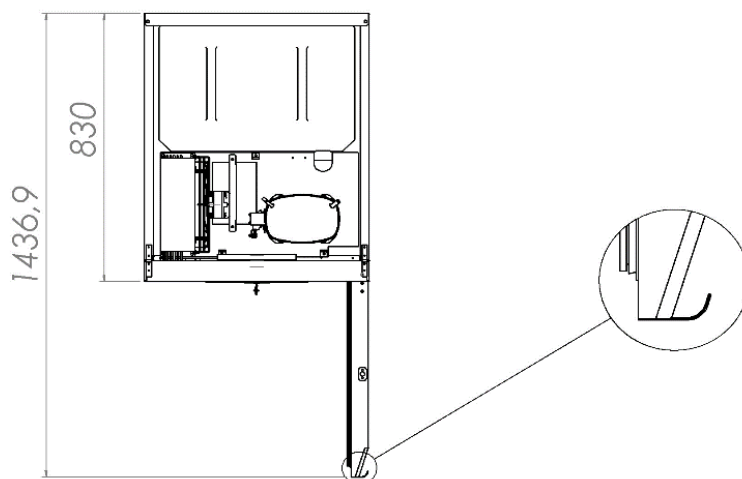
IV. INFORMAZIONI TECNICHE

DIMENSIONI DEI PRODOTTI

ADVANCE K70 & ADVANCE F70



SECTION A-A



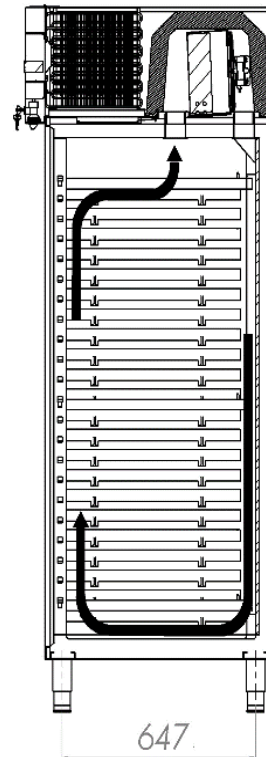
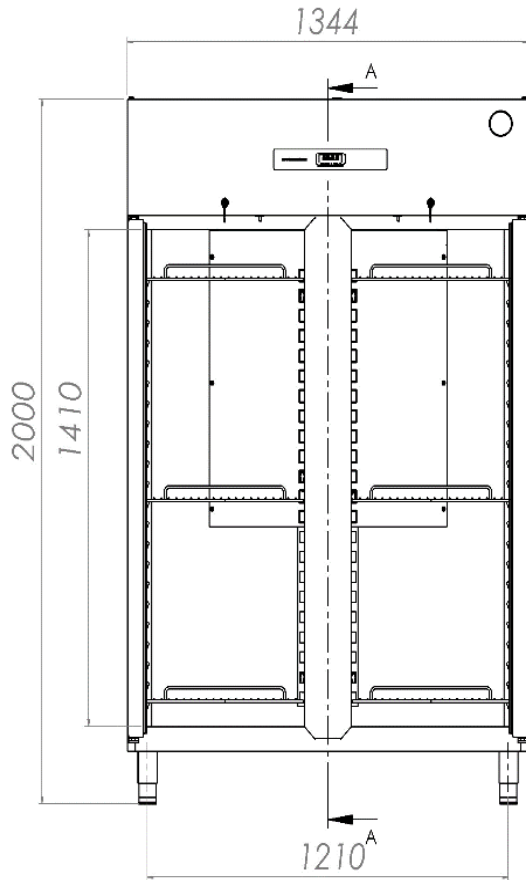
HOSHIZAKI

Advance 70-140

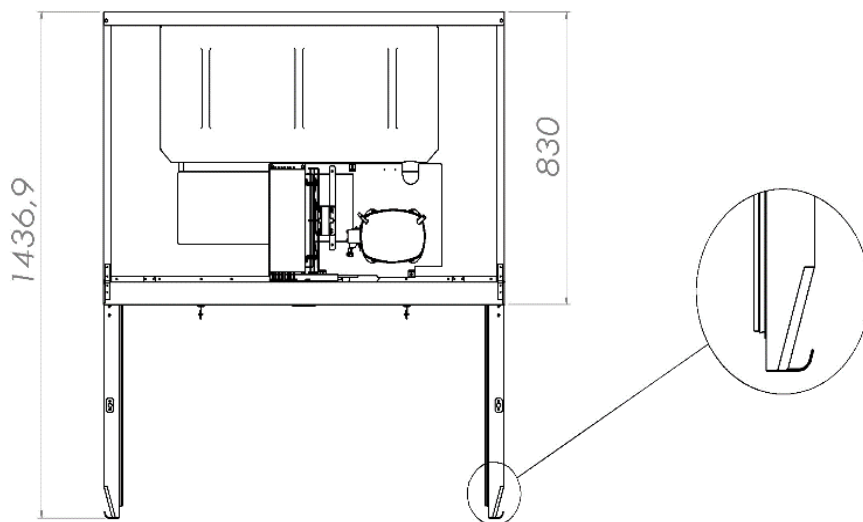


DIMENSIONI DEI PRODOTTI

ADVANCE F140



SECTION A-A

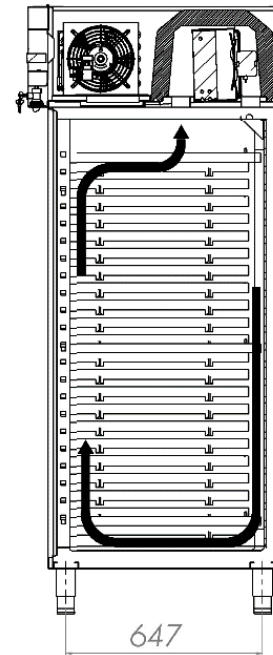
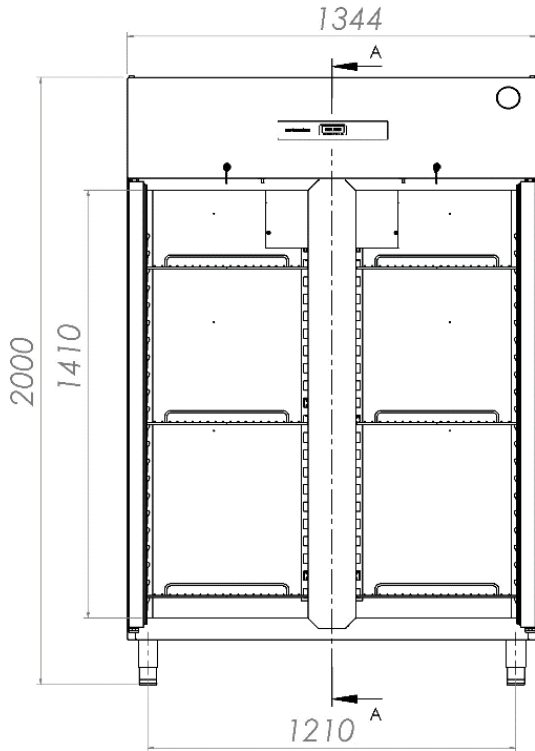


HOSHIZAKI

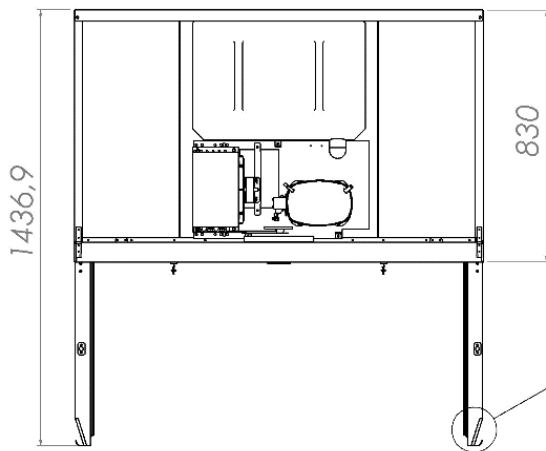
Advance 70-140



ADVANCE K140



SECTION A-A

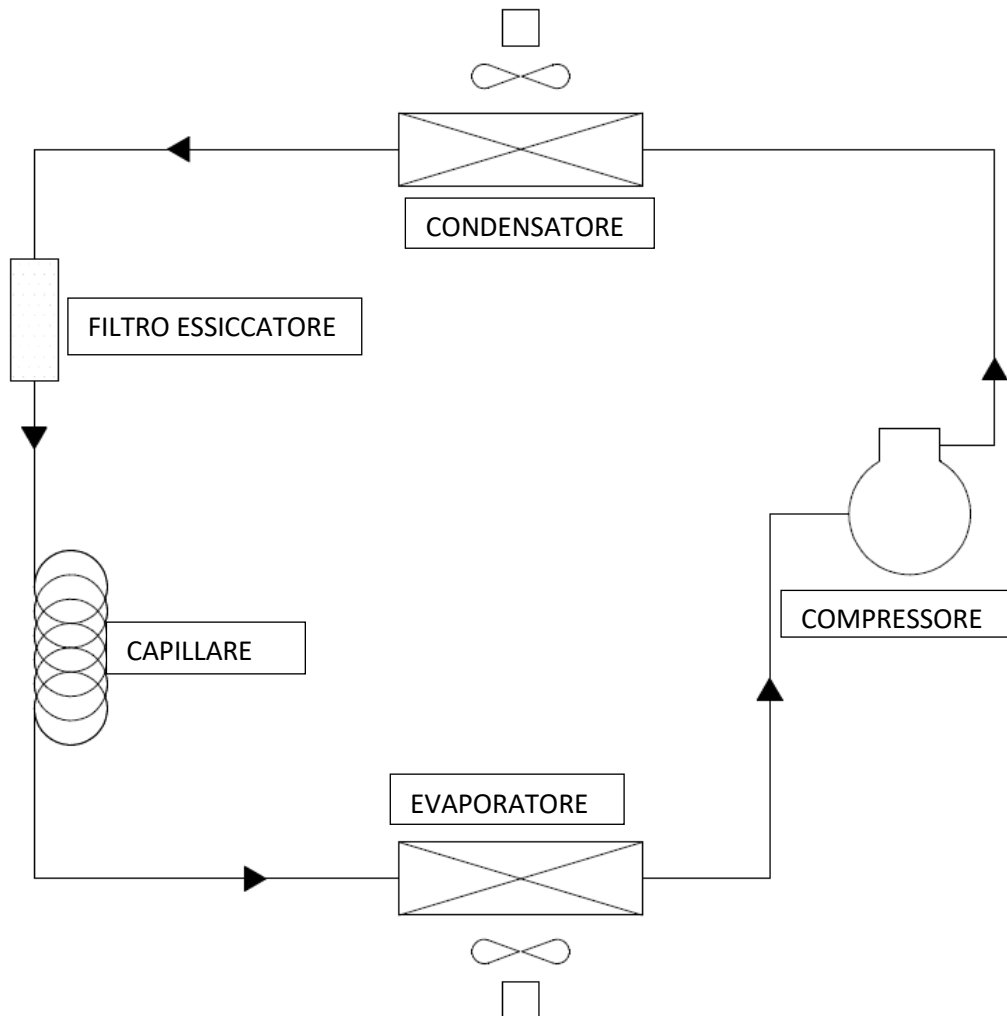


HOSHIZAKI

Advance 70-140



SISTEMA DI RAFFREDDAMENTO STANDARD



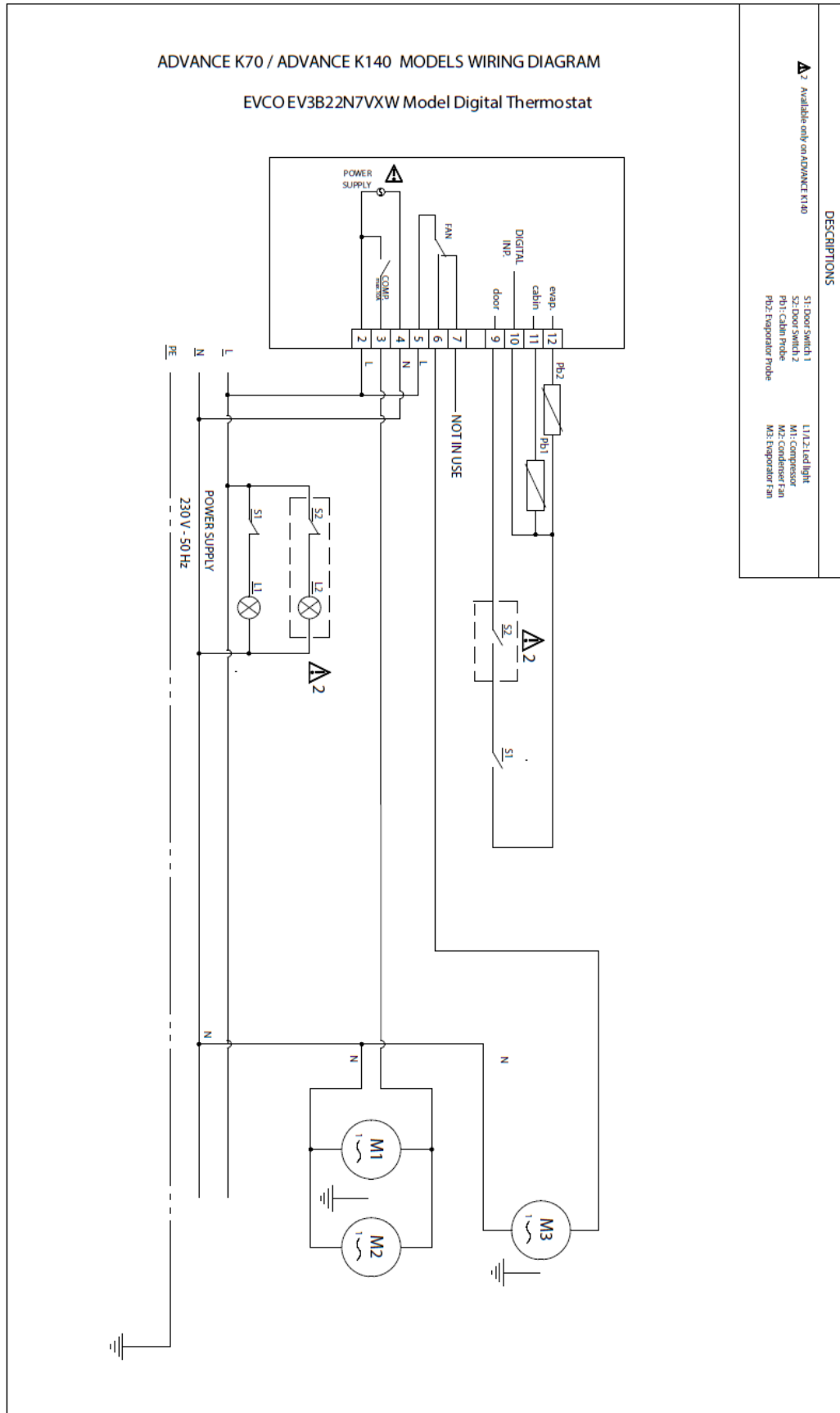
- 1 Compressore (Compressor)
- 2 Condensatore (Condenser)
- 3 Essiccatore del filtro (Filter Dryer)
- 4 Capillare (Capillary)
- 5 Evaporatore (Evaporator)

HOSHIZAKI

Advance 70-140



SCHEMA ELETTRICO DEI MODELLI ADVANCE K70 / ADVANCE K140

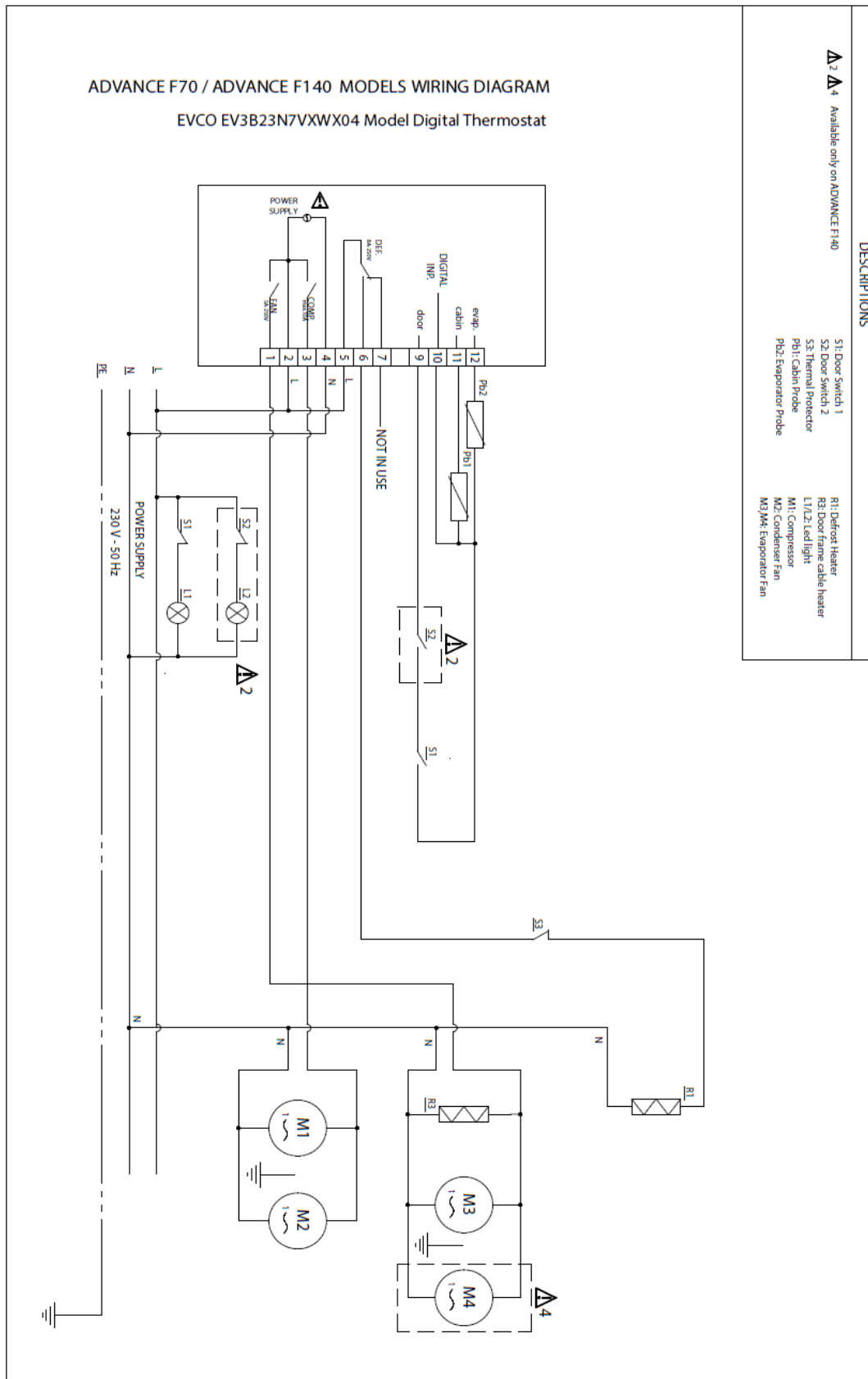


HOSHIZAKI

Advance 70-140



SCHEMA ELETTRICO DEI MODELLI ADVANCE F70 / ADVANCE F140



HOSHIZAKI

Advance 70-140



V. DIAGNOSI DI SERVIZIO

Nella tabella seguente sono elencati diversi problemi che potrebbero verificarsi. Se viene visualizzato un codice di allarme significa che si è verificato un malfunzionamento. Correggere l'errore prima di reimpostare l'armadio frigo. Le cause possibili e le relative soluzioni sono descritte di seguito.

Se il codice di errore persiste anche dopo avere eseguito i controlli sotto indicati, contattare un tecnico autorizzato. È necessario fornire le caratteristiche del messaggio di errore. I dati riguardanti il prodotto, incluso il numero di serie, sono reperibili sulla targhetta identificativa del prodotto stesso.

PROBLEMA	CAUSA POSSIBILE	SOLUZIONE
L'armadio frigo non funziona	L'armadio frigo non viene alimentato	Verificare che la spina e il cavo di alimentazione siano privi di guasti
Ogni tanto il compressore smette di funzionare	La temperatura ambiente è troppo alta	È necessario migliorare la ventilazione
	Il condensatore o il filtro del condensatore è bloccato	Controllare e pulire regolarmente il filtro del condensatore
	Carica refrigerante bassa	Contattare un tecnico autorizzato per la riparazione di una perdita
	Le guarnizioni delle porte non aderiscono perfettamente	Contattare un tecnico autorizzato per la sostituzione delle guarnizioni
	L'evaporatore è coperto di ghiaccio	Non introdurre alimenti caldi nell'armadio frigo Non introdurre alimenti con un alto contenuto di acqua nell'armadio frigo a meno che non siano riposti in contenitori con chiusura ermetica Eeguire un ciclo di sbrinamento manuale
L'acqua trabocca dalla vaschetta di raccolta dell'acqua del condensatore	Frequente introduzione di alimenti caldi nell'armadio frigo	Non introdurre alimenti caldi nell'armadio frigo Introdurre alimenti con un alto contenuto di acqua nell'armadio frigo solo se sono riposti in contenitori con chiusura ermetica
	Frequente apertura della porta o dei cassetti	Verificare che le specifiche dell'armadio frigo siano compatibili con il tipo di corrente elettrica
	La temperatura dell'armadio frigo è troppo alta	Il condensatore è ostruito da sporcizia e polvere La circolazione dell'aria all'interno dell'armadio frigo è bloccata L'aria ambiente entra nell'armadio frigo L'evaporatore è coperto di ghiaccio

HOSHIZAKI

Advance 70-140



VI. RIMOZIONE E SOSTITUZIONE

SOSTITUZIONE DELLA LAMPADINA INTERNA

- Scollegare l'alimentazione disattivando il sezionatore principale o rimuovere la spina dell'armadio frigo dalla presa elettrica.
- Aprire la porta.
- Rimuovere la vite di fissaggio e sollevare il coprilampadina.
- Accertarsi che la nuova lampadina abbia le stesse specifiche di quella vecchia. Il voltaggio e il wattaggio sono stampati sulla lampadina.
- Rimuovere e sostituire la lampadina.

SMALTIMENTO DELL'ARMADIO FRIGO

- Il tipo di gas refrigerante presente nell'armadio frigo è indicato sulla targhetta identificativa.
- L'armadio frigo è realizzato in materiali riciclabili conformemente alle normative europee. Di conseguenza, al termine del suo ciclo di vita, l'armadio frigo deve essere conferito al centro di raccolta appropriato per lo smaltimento.
- Non smaltire l'armadio frigo come metallo o insieme ai rifiuti domestici.
- Non comprimere il circuito di refrigerazione dell'impianto di raffreddamento.

IMPORTANTE

Per il corretto smaltimento dell'armadio frigo, rispettare le leggi e le norme locali.

HOSHIZAKI

Advance 70-140



Tutti i diritti riservati. Hoshizaki si riserva il diritto di apportare modifiche alle funzioni e alle informazioni contenute nel presente manuale.

Informazioni di contatto

Sede centrale

Hoshizaki Europe B.V – All other countries in Europe and Africa

TEL: +31 (0)20 6918499

sales@hoshizaki.nl -- <http://hoshizaki-europe.com/>

Filiali

Hoshizaki UK - UK, Ireland

TEL: +44 (0)845 456 05 85

uksales@hoshizaki.co.uk

Hoshizaki Deutschland - Germany, Switzerland, Austria

TEL: +49 (0)5121 697370

vertrieb@hoshizaki.de

Hoshizaki Benelux - Netherlands, Belgium, Luxembourg

TEL: +31 (0)85 0188370

info@hoshizaki.nl

Hoshizaki France - France

TEL: +33 (0)1 48 63 93 80

info@hoshizaki.fr

Hoshizaki Iberia - Spain, Portugal

TEL: +34 (0)93 478 09 52

info@hoshizaki.es

Hoshizaki Denmark - Denmark

TEL: +45 89 88 53 50

salg@hoshizaki.dk

Hoshizaki Norway - Norge

TEL: +47 22 88 17 50

salg@hoshizaki.no

Hoshizaki Sweden - Sverige

TEL: +46 108 84 87 47

OrderSE@hoshizaki.dk

Hoshizaki Italia – Italia

TEL: +39 348 3022156

commerciale@hoshizaki.it

HOSHIZAKI

Advance 70-140



HOSHIZAKI

Advance 70-140



KYLSKÅP OCH FRYRSAR

HANDBOK FÖR ANVÄNDNING, UNDERHÅLL OCH INSTALLATION



I. ALLMÄN INFORMATION	149
II. ANVÄNDNINGSSINSTRUKTIONER	152
III. UNDERHÅLLSANVISNINGAR	157
IV. TEKNISK INFORMATION	160
V. SERVICEDIAGNOS	165
VI. DEMONTERING OCH BYTE	166

Kontaktuppgifter:

HOSHIZAKI EUROPE B.V.

Adress: Burgemeester Stramanweg 101 1101 AA Amsterdam, Nederländerna

Tel: +31 (0)20 691 8499

<http://hoshizaki-europe.com/>



HOSHIZAKI


Advance 70-140



I. ALLMÄN INFORMATION

PRODUKTDEKAL

1	Produktnummer
2	Produktbeskrivning
3	Modell
4	Köldmedel (GWP)
5	CO2-ekvivalent
6	IP-skydd
7	Klimatklass
8	Tillverkningsdatum
9	Total effekt/ström/lampans effekt
10	Spänning – frekvens
11	Värmeelement
12	Systemtryck
13	Jäsmedel
14	Serienummer

PRODUCT NUMBER	1
	
PRODUCT DESCRIPTION	2
MODEL	3
REFRIGERANT	4
CO2 EQUIVALENT	5
IP PROTECTION	6
CLIMATE CLASS	7
PRODUCTION DATE	8
TOTAL POWER / CURRENT / LAMP POWER	9
VOLTAGE - FREQUENCY	10
HEATING ELEMENT	11
SYSTEM PRESSURE	12
BLOWING AGENT	13

S/N: 14



HOSHIZAKI EUROPE B.V. Burgemeester Stramanweg 101 1101 AA
Amsterdam, The Netherlands



SYFTET MED ANVÄNDNINGEN

- Produkten är endast lämplig för användning inomhus och endast för förvaring av mat och dryck. Förvaringsenheter som är utformade för att lagra produkter som har kyl-/frystemperatur.
- Tillverkaren ansvarar inte för eventuella skador som uppstår till följd av användning i strid med de riktlinjer som anges i den här boken.
- När mat förvaras i skåpet får maten aldrig komma i kontakt med höljet.
- Alla livsmedel måste täckas över ordentligt. För att undvika kontaminering och korrosion av inre komponenter ska alla produkter förpackas eller förvaras i förseglade behållare.
- Förvara inte varma matvaror eller vätskor i skåpet.
- Drycker som förvaras i lådor och glasflaskor får inte förvaras vid temperaturer under 0 °C (frysunkten). Burkar och glasflaskor kan explodera på grund av expansion. Behållare med lock får inte fyllas helt: en liten mängd utrymme bör lämnas för expansion.
- Skåpet är utrustat med en funktion för automatisk avfrostning. Det går också att avfrostas det manuellt. Manuell avfrostning innebär inte att skåpet stängs av under en längre period utan kan utföras via styrenheten. Under inga omständigheter får du använda fysisk kraft eller handverktyg för att avlägsna is från skåpet, skador som uppstår till följd av sådana åtgärder är svåra att reparera.
- Använd inte mekaniska eller alternativa avfrostningsmetoder.
- Maskinen får bara användas av personer (inklusive barn) med nedsatta fysiska, sensoriska eller kognitiva förmågor, eller brist på erfarenhet och kunskap, om de övervakas eller instrueras.
- Barn som övervakas får inte leka med apparaten.
- Rengöring och användarunderhåll får inte utföras av barn utan övervakning.
- Den här apparaten kan användas av barn från 8 års ålder, personer med nedsatta fysiska, sensoriska eller kognitiva förmågor och personer som saknar erfarenhet och kunskap om maskinen om de övervakas eller instrueras angående säker användning av apparaten samt är införstådda med riskerna.

HOSHIZAKI

Advance 70-140



- Alla elektriska eller mekaniska ändringar i det här skåpet upphäver garantin. Ändringar som utförs av ej auktoriserade servicetekniker och andra ändringar än de som beskrivs i den här handboken upphäver också garantin. Tillverkaren ansvarar inte för skador som uppstår till följd av sådana ändringar.

KLIMATKLASS

Skåpet är utformat att användas inom specifika omgivningstemperaturer och luftfuktighetsnivåer. De anges i klimatklassificeringssystemet. Dessa nivåer får aldrig överskridas. Klimatklassen för den här produkten anges på produktdekalen. Kylskåpet är inte lämpligt för användning i temperaturer under 16 °C omgivningstemperatur.

Klimatklass	Omgivningstemperatur och luftfuktighet
4	+30 °C med % 55 RH
5	+40 °C med % 40 RH

MOTTAGANDE OCH KONTROLLER

Skåp förpackas i skyddande förpackningsmaterial för transport. Kontrollera vid leveransen att skåpet inte har några transportskador och att skåpmodellen är den som du beställde.

VIKTIGT

Åtgärderna som anges nedan måste följa alla lokala lagar och säkerhetsföreskrifter. Följ alla gällande säkerhetsföreskrifter när produkten används.

TRANSPORT

När produkten lyfts med maskiner ska lyftkapaciteten hos maskinerna kontrolleras innan arbetet utförs.

VIKTIGT

När en gaffeltruck används för att flytta produkten ska du se till att gafflarna förs in i lämpliga öppningar på pallen.

Se till att produkten står stadigt under flytten. Om produktens tyngdpunkt inte är centralt placerad kan den välta. När produkten sänks ned med en gaffeltruck ska du se till att det sker långsamt och försiktigt. Om ett stående skåp måste transporteras i horisontalt läge ska du se till att skåpet har stått upprätt i minst 2 timmar innan du använder det. Vi rekommenderar inte att du transporterar stående skåp horisontalt och skador som uppstår till följd av sådana åtgärder täcks inte av garantin.

OBSERVERA

Rekommendationer på utsidan av transportförpackningen är avsedda för användaren. Följande rekommendationer bör följas:

- Bär produkten försiktigt.
- Håll produkten torr.
- Använd inte skåpets ovansida för förvaring.

HOSHIZAKI

Advance 70-140



ÖPPNA FÖRPACKNINGEN

- Ta bort kartongen och annat eventuellt förpackningsmaterial.
- Lyft skåpet för att lossa det och ta bort det från lastpallen.
- Placera skåpet stående på basen på önskad plats.
- Kontrollera om det finns synliga skador.
- Förpackningsmaterialet kan återvinnas i enlighet med lokala återvinningsbestämmelser.
- Kontrollera att produktkoden och serienumret stämmer överens med de på leveransdokumenten.

Stående skåp

Varumärke			HOSHIZAKI			
Modellnamn			Advance K70	Advance K140	Advance F70	Advance F140
Avsedd användning			Förvaring	Förvaring	Förvaring	Förvaring
Drifttemperatur vid kylning			X	X		
Drifttemperatur vid frysning					X	X
Skåp för flera användningsområden						
Vertikalt skåp			X	X	X	X
Bänkskåp						
Parameter	Symbol	Enhet				
Energieffektivitetsklass	EEC	-	C	C	D	D
Energieffektivitetsindex	EEl	-	42,41	48,32	67,46	67,44
24 timmars energiförbrukning	E24h	kWh	1,5	2,54	6,546	9,98
Årlig energiförbrukning	AEC	kWh	548	926	2389	3642
Nettovolym för fack 1	Vn eller Vn1	liter	415	398	420	398
Nettovolym för fack 2	Vn2	liter	-	398	-	398
Nettovolym för fack 3	Vn3	liter	-	-	-	
Nettovolym för fack 4	Vn4	liter	-	-	-	
Total nettovolym	VnT	liter	415	797	420	797
Klimatklass	CC		5	5	5	5
Köldmedium			R290	R290	R290	R290
Laddning		kg	0.058	0,085	0,082	0,105
GWP			3	3	3	3
CO2-ekivalent		CO2	0,174	0,255	0,246	0,315
Tålig, den här apparaten är avsedd för användning i omgivningstemperaturer upp till 40 °C			X	X	X	X
Kontaktuppgifter:	HOSHIZAKI EUROPE B.V.					
	Adress: Burgemeester Stramanweg 101 1101 AA Amsterdam, Nederländerna Tel: +31 (0)20 691 84 99 - http://hoshizaki.europe.com/					

HOSHIZAKI

Advance 70-140



II. ANVÄNDNINGSSINSTRUKTIONER

ELEKTRICITET

Innan du ansluter produkten till elnätet ska du kontrollera att strömförsörjningen som anges på produktdekalen motsvarar det lokala nätets strömförsörjning.

Produktdekalen som anger strömförsörjningen finns på insidan av skåpet, längst upp till vänster.

Produkten får bara installeras av kvalificerad och utbildad servicepersonal i enlighet med specifikationerna i den här handboken.

Elsäkerheten i skåpen gäller bara om det är jordat i enlighet med gällande lokala lagar och föreskrifter.

Produkten måste alltid jordas.

Tillverkaren ansvarar inte för skador som uppstår till följd av felaktig jordning.

Följ alla krav som anges i lokala elföreskrifter. Produktens elkontakt och vägguttag måste ha rätt märkvärde för jordanslutning. Anlita vid behov en behörig elektriker.

ALLMÄNNA INLEDANDE KONTROLLER

Se till att skåpet står upprätt på ett plant underlag. Vid behov kan skåpets fötter justeras. Alla fötter ska vara i kontakt med underlaget. Det krävs för att skåpdörren ska fungera.

Placera inte skåpet bredvid enheter som alstrar värme, till exempel ugnar, grillar och fritöser. Utsätt det inte för direkt solljus. Värme som kan utstrålas av väggar eller golv måste isoleras med lämpligt isoleringsmaterial. Skåpet ska placeras så långt som möjligt från alla värmekällor.

Om skåpet måste flyttas ska du vänta i tre timmar innan du startar om det. Plastsydd eller tejp ska tas bort från utsidorna.

Se till att skåpet är placerat så att tillräckligt med frisk luft kan strömma till/från kylkretsen och runt skåpets ytor. Lämna minst 500 mm fritt utrymme från skåpets ovansida.

Om två kylskåp eller frysar ska placeras sida vid sida bör det finnas minst 50 mm utrymme mellan dem.

Täpp inte för ventilationshålen.

HOSHIZAKI

Advance 70-140



INLEDANDE ELEKTRISKA KONTROLLER

- Kontrollera att nätspänningen och frekvensen i uttaget överensstämmer med informationen på produktdekalen.
- Skåpet är seriellt anslutet till ett eluttag med en 13–16 A-säkring.
- Stäng av nätsäkringen som är ansluten till strömkabeln.
- Kontrollera att kontakten på skåpet är lämplig för användning med det tillgängliga eluttaget och att de passar ihop.

INLEDANDE ÅTGÄRDER OCH KONTROLLER

När kontrollerna ovan har slutförts kan skåpet användas. Skåpet styrs med

PÅ/AV-knappen.

Kompressorn börjar arbeta när skåpet har slagits PÅ. Kompressorn går tills den fabriksinställda temperaturen har nåtts. Matvaror bör inte placeras i skåpet förrän temperaturinställningen har justerats för att passa matvarorna som ska kylas.

En ny temperatur kan ställas in via styrenheten så som beskrivs i den här handboken.

VIKTIGT

- Låt produkten svalna till den inställda temperaturen innan du lägger in matvaror.
- Överskrid aldrig den maximala kapaciteten. Den maximala hyllkapaciteten är 40 kg jämnt fördelat på hyllor i stående skåp och 20 kg på hyllor och i lådor i bänkskåp.
- Se avsnittet Allmänna inledande kontroller i den här handboken för information om hur mycket utrymme som krävs för god ventilation runt produkten.
- Förvara inte explosiva ämnen som sprejflaskor med lättantändligt drivmedel i apparaten.

VARNING:

- Täck aldrig för ventilationsöppningarna på apparaten.
- Använd inte mekaniska enheter eller andra medel för att skynda på avfrostningsprocessen om inte sådana rekommenderas av tillverkaren.
- Skada inte kylkretsen.
- Använd inte elektriska apparater inuti skåpet.

FÖRVARINGSFÖRHÅLLANDEN OCH PRESTANDA

Rätt förvaringsförhållanden är inte bara av största vikt för livsmedelshygien och livsmedelssäkerhet, utan också för att förbättra kvaliteten och minska energiförbrukningen. Bästa prestanda kan uppnås om följande tips och riktlinjer följs: förvara bara matvaror på hyllor, placera aldrig matvaror på skåpets golv.

Matvaror ska placeras i skåpet eller bänkskåpet på ett sådant sätt att luftflödet runt omkring är bra och det finns utrymme mellan varorna och produktens väggar. Hyllavståndet kan justeras därefter om det behövs.

HOSHIZAKI

Advance 70-140



KONTROLLPANEL



Kontrollpanelen har följande reglage och funktioner:

1. SET-knapp
 - Används för att ange/ställa in värden
2. PÅ/AV-knapp
 - Håll intryckt i 4 sekunder för att slå på eller stänga av skåpet
3. NED-knapp
 - Används för att bläddra nedåt på menyn eller ändra/minska värden
4. UPP-knapp
 - Används för att bläddra uppåt på en meny eller ändra/öka värden
 - Håll intryckt i 4 sekunder för att starta MANUELL AVFROSTNING

FUNKTIONER PÅ FRONTPANELEN

Kontrollpanelen kan låsas och låsas upp.

Låsa reglagen:

- Kontrollera att inga åtgärder utförs
- Använd inte på 30 sekunder
- Displayen visar "LOC" i 1 sekund och tangentbordet låses automatiskt

Låsa upp reglagen:

- Tryck på en knapp i en sekund: meddelandet "UNL" visas på displayen i en sekund

TEMPERATURINSTÄLLNING

1. Kontrollera att kontrollpanelen inte är låst och att inga åtgärder utförs.
2. Tryck på SET-knappen, då blinkar LED-lampan *.
3. Ändra temperaturinställningen med UPP- och NED-pilarna.
4. Tryck på SET-knappen eller utför inga åtgärder på 15 sekunder. LED-lampan * slocknar och styrenheten avslutar proceduren.
5. Så här avbryter du temperaturinställningen innan den är klar.
 - a. Tryck på PÅ/AV-knappen (eventuella ändringar sparas inte). Börvärdet för drift kan också ställas in via SP-parametern.

HOSHIZAKI

Advance 70-140



TEMPERATURVISNING (detekteras av givare)

1. Kontrollera att kontrollpanelen inte är låst och att inga åtgärder utförs.
2. Tryck på NED-pilen i 4 sekunder: displayen visar den första tillgängliga givaren.
3. Välj rätt givare med UPP- och NED-pilarna.
4. Tryck på SET-knappen.

I den här tabellen visas koderna för de olika givarna.

Etikett	Visad temperatur
Pb1	Skåpets temperatur
Pb2	Förångarens temperatur

Avsluta proceduren genom att trycka på SET-knappen i 60 sekunder eller inte utföra några åtgärder på 60 sekunder. Tryck sedan på PÅ/AV-knappen.

Obs! Pb2-koden visas inte om en givare för förångaren saknas.

TEMPERATURLARM

Det här är en lista över larm som visas av skåpet.

KOD	LARMTYP	KRITISKT VÄRDE
AL	Larm för låg temperatur	Låg skåptemperatur när larmet är aktivt
AH	Larm för hög temperatur	Hög skåptemperatur när larmet är aktivt
Id	Larm för öppen dörr	Maximal skåptemperatur när larmet är aktivt

Larm kan bara registreras när skåpet är påslaget.

När orsaken till larmet inte längre finns återgår skåpet till normal drift.

ÅTKOMST TILL LARMHISTORIKEN

1. Tryck på NED-knappen i 2 sekunder för att visa den första koden
2. Tryck in och släpp UPP-knappen eller välj LS genom att trycka på NED-knappen
3. Tryck in och släpp SET-knappen: en av koderna ovan visas Välj ett larm

genom att trycka på UPP-knappen tills AH visas.

Om du vill visa larminformation trycker du in och släpper SET-knappen (den blinkande HACCP-lysdioden slocknar).

TEXTMEDDELANDEN OCH DERAS INNEBÖRD

8.0	Kritiska värden 8,0 °C/°F
Dur	Displayen visar larmtiden
h01	1-timmeslarm (forts.)
n15	1 timme och 15 minuter långt larm
AH	Valt larm

Om du vill stänga den historiska visningen trycker du in och släpper ON/STANDBY-knappen flera gånger.

HOSHIZAKI

Advance 70-140



Om du vill avsluta processen trycker du upprepade gånger på UPP- eller NED-knapparna tills displayen visar skåpets temperatur eller väntar 60 sekunder utan att trycka på en knapp.

Alternativ metod för att avsluta: tryck in och släpp ON/STANDBY-knappen. LS-koden visas bara om larm har registrerats.

FELKODER

Kod	Beskrivning
Pr1	Fel på skåpets givare
Pr2	Fel på förångarens givare

Felen kan bara åtgärdas av kvalificerad teknisk personal.

DRIFTSTATUS

Tillgängliga driftstatuslägen anges nedan:

Status	Beskrivning
PÅ	Skåpet är påslaget och i drift
STANDBY	Skåpet är påslaget men avstängt
AV	Ström matas inte till skåpet, kontakten sitter inte i uttaget eller huvudströmbrytaren är avstängd

VIKTIGT

Utför inte underhåll eller reparationer när skåpet är i på- eller standbyläge. Sådana arbeten får bara utföras när strömförsörjningen är helt bortkopplad från skåpet.

HOSHIZAKI

Advance 70-140



III. UNDERHÅLLSANVISNINGAR

Det här avsnittet är särskilt avsett för produktens ägare/användare. Det innehåller viktig information om korrekt användning och hur produktens livslängd maximeras.

Vi rekommenderar att all teknisk service utförs av kompetent utbildad personal på grund av mekaniska och elektriska risker.

Några få enkla steg under användning och justering kan minska behovet av dyra reparationer av servicetekniker. Åtgärderna kräver ingen särskild teknisk kunskap.

VIKTIGT

WARNING: Apparaten ska kopplas bort från strömkällan vid rengöring eller underhåll samt vid byte av delar. Kontakten måste tas bort på ett sådant sätt att operatören kan kontrollera att kontakten är bortkopplad från de punkter som hen har åtkomst till.

Innan du påbörjar rengöring och underhåll av produkten ska du se till att strömförsörjningen har stängts av och inte kan anslutas av misstag av någon annan.

OBSERVERA

Tvätta inte produkten med vatten under högt tryck. Undvik att spruta in i de elektriska komponenterna.

RENGÖRING

- Vi rekommenderar att skåpets insida regelbundet rengörs med desinfektionsmedel. Invändig rengöring av skåpet ska utföras med varmt tvålsvatten.
- Endast pH-neutrala eller svagt alkaliska rengöringsmedel får användas för rengöring av skåpets insida och utsida.
- Skador som orsakas av rengöringsprodukter som innehåller kemikalier som kan skada rostfritt stål täcks inte av garantin.
- Använd aldrig metallredskap, skursvampar av metall, skurkrämer eller skurpulver.
- Smuts kan avlägsnas med en fuktig trasa.
- Håll alltid ventilationsgallren på skåpet rena och fria från hinder.
- Hyllorna kan tas bort för enkel rengöring.
- Se till att hyllornas skenor och hyllorna rengörs ordentligt.

VIKTIGT

Produkten är tillverkad av rostfritt stål. Vid användning under normala förhållanden rostar inte rostfritt stål, men rost kan uppstå på rostfritt stål om frätande rengöringsmedel används.

RUTINUNDERHÅLL

KONDENSOR

Det är mycket viktigt att kondensorn kan överföra maximalt med värme. Därför måste kondensorns yta alltid vara ren och fri från hinder. På grund av fläktens effekt samlas damm på och inuti kondensorns flänsar. En dammsugare med borsttillbehör kan användas för att rengöra kondensorn.

Var uppmärksam så att inte kondensorns flänsar eller fläktbladen skadas.

HOSHIZAKI

Advance 70-140



Om det finns ett filter tar du bort det för att rengöra det och sätter sedan tillbaka det. Byt ut filtret om det är skadat eller för smutsigt för att kunna rengöras ordentligt.

PACKNINGAR FÖR DÖRR/LÅDA

En packning i gott skick förhindrar att fukt och varm luft tränger in i skåpet och är därför viktigt för ekonomisk drift av skåpet.

STRÖMKABEL

Om strömkabeln är skadad måste den bytas ut av tillverkaren, dess serviceombud eller liknande behörig person för att undvika faror.

FÖRBEREDELSE FÖR LÄNGRE PERIODER UTAN ANVÄNDNING

- Stäng av strömmen till huvudströmbrytaren eller dra ut skåpets kontakt ur uttaget.
- Ta ut alla matvaror från skåpet.
- Rengör skåpet (se avsnittet om rengöring).
- Avlägsna ansamlad damm och smuts från kompressorn.
- Stäng inte dörren helt för att undvika obehagliga lukter.

OBSERVERA

När du kopplar bort produkten bör du vara medveten om att tinat vatten kan droppa från skåpet på golvet. Det kan orsaka skador på golvet och göra det halt.

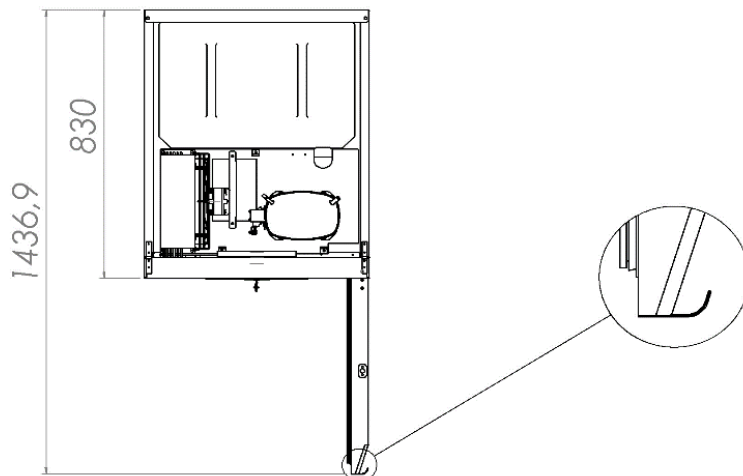
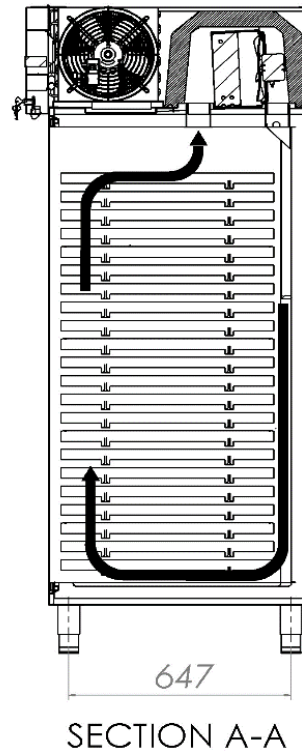
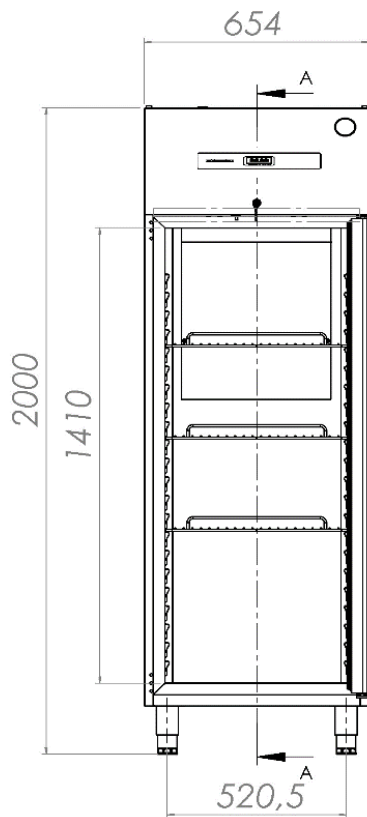
HOSHIZAKI

Advance 70-140



IV. TEKNISK INFORMATION

PRODUKTENS MÅTT ADVANCE K70 & ADVANCE F70

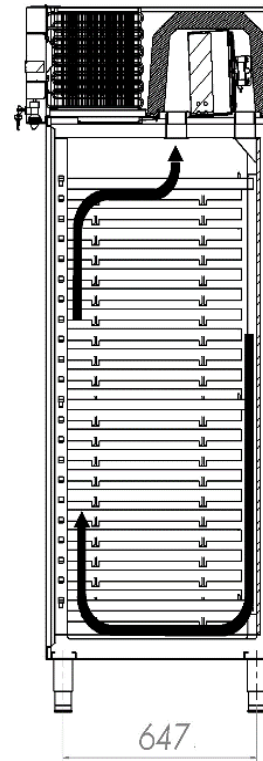
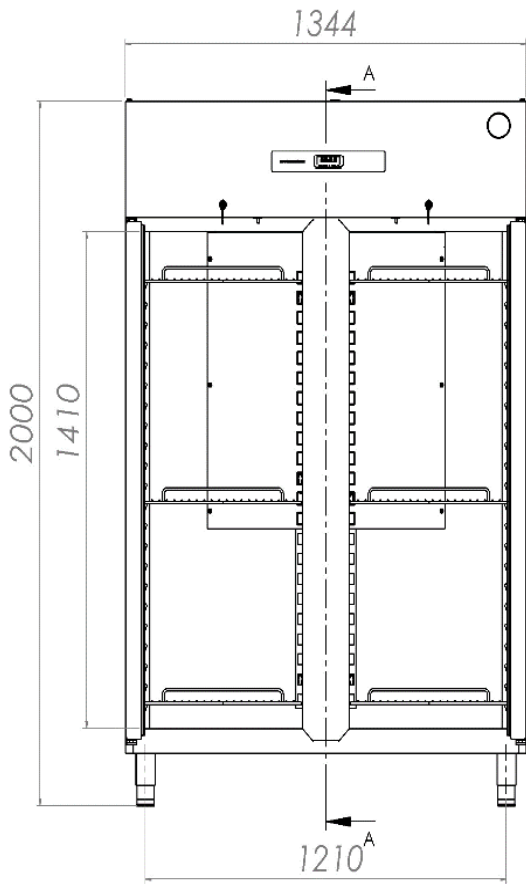


HOSHIZAKI

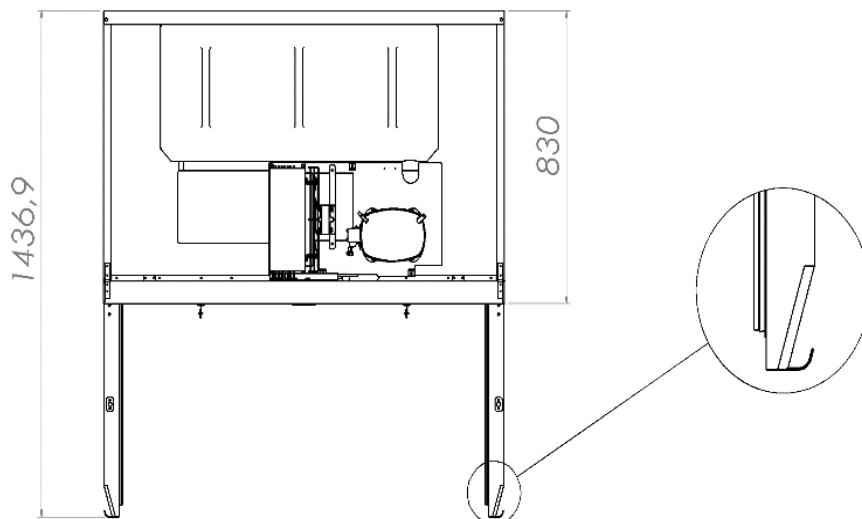
Advance 70-140



ADVANCE K140 & ADVANCE F140



SECTION A-A

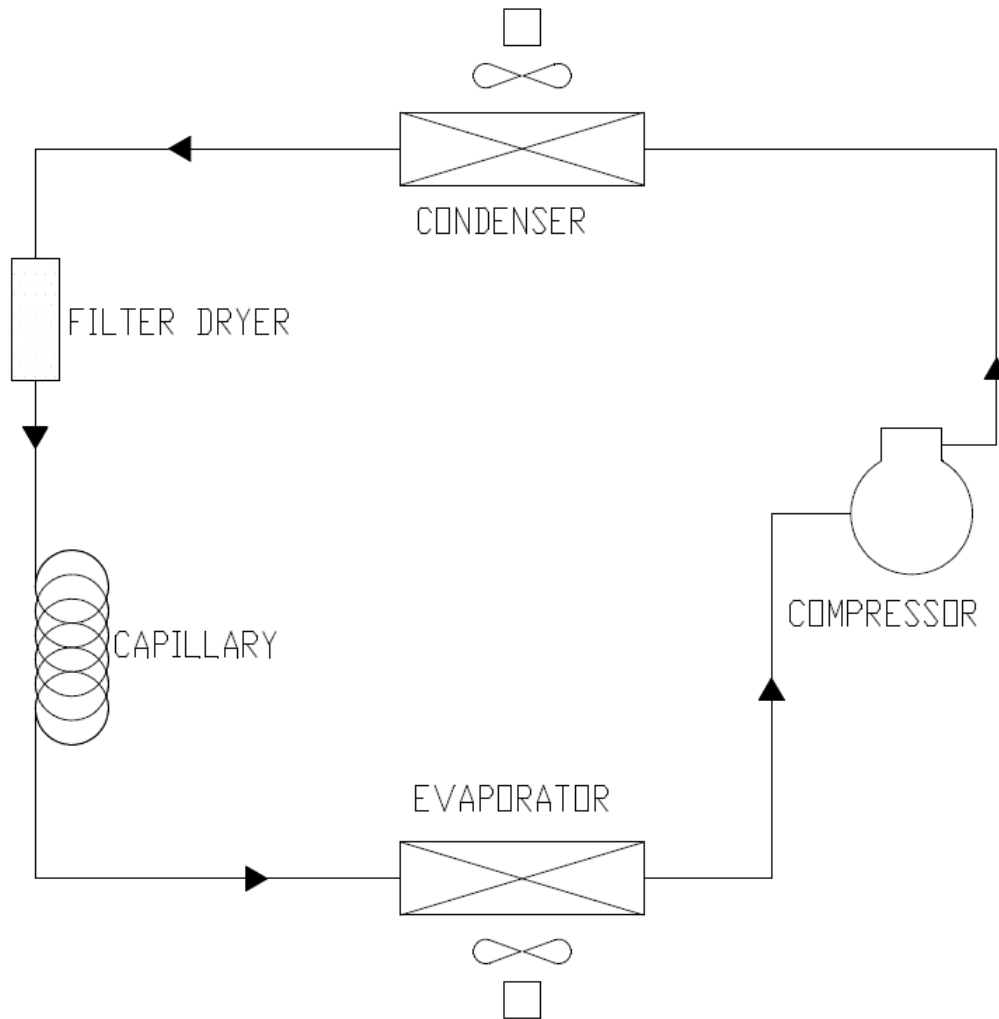


HOSHIZAKI

Advance 70-140



STANDARDKYLSYSTEM



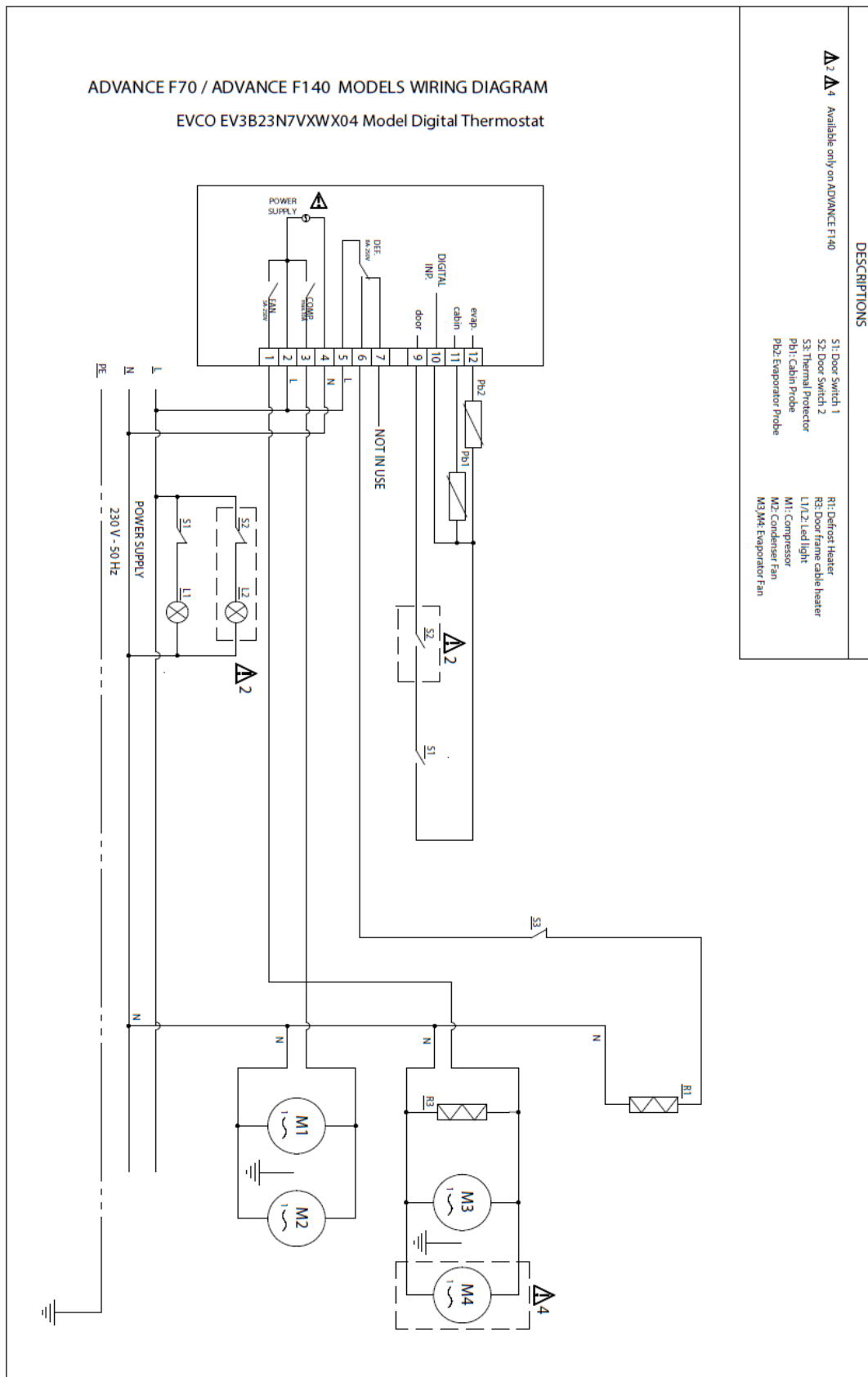
- 1 Kompressor (kompressor)
- 2 Kondensor (kondensor)
- 3 Torkfilter (torkfilter)
- 4 Kapillärt (kapillärt)
- 5 Förångare (förångare)

HOSHIZAKI

Advance 70-140



KOPPLINGSSCHEMA FÖR MODELLERNA ADVANCE F70 / ADVANCE F140



HOSHIZAKI

Advance 70-140



IV. SERVICEDIAGNOS

I tabellen nedan visas flera problem som kan inträffa. Om en larmkod visas har ett fel uppstått. Åtgärda eventuella orsaker innan skåpet återställs. Möjliga orsaker och åtgärder anges nedan.

Om en felkod kvarstår efter att du har utfört kontrollerna nedan kontaktar du en auktoriserad tekniker. Felmeddelandets natur måste fastställas. Produktinformation inklusive serienumret finns på produktens typskylt.

PROBLEM	MÖJLIG ORSAK	LÖSNING	
Skåpet fungerar inte	Ingen ström matas till skåpet	Kontrollera att kontakten och kabeln är felfria	
Kompressorn slutar sällan att gå	Omgivningstemperaturen är för hög	Ventilationen måste förbättras	
	Kondensorn eller kondensorfiltret är igensatt	Kontrollera och rengör kondensorfiltret regelbundet	
	Låg köldmedelsnivå	Kontakta en auktoriserad tekniker för att reparera en läcka	
	Dörrpackningarna tätar inte ordentligt	Kontakta en auktoriserad tekniker för att byta tätningarna	
	Isbildning i förångaren		Placera inte varma matvaror i skåpet
Placera inte matvaror med hög vattenhalt inuti skåpet om de inte förvaras i förseglade behållare			
Starta en manuell avfrostningscykel			
	Förångarens fläkt/fläktar är defekta	Kontakta en auktoriserad tekniker för att byta ut fläkten/fläktarna	
Vatten strömmar ut från kondensorns vattenbehållare	Varma matvaror placeras ofta i skåpet	Placera inte varma matvaror i skåpet	
		Lägg endast matvaror med hög vattenhalt i förslutna behållare i skåpet	
	Dörrar eller lådor öppnas ofta	Kontrollera om skåpets specifikationer är lämpliga för den	
Skåpets temperatur är hög	Kondensorn är igensatt av smuts och damm	Kontrollera och rengör kondensorfiltret regelbundet	
	Luftflödet i skåpet är blockerat	Ta bort matvaror som blockerar luftflödet	
		Omgivningsluft kommer in i skåpet	Se till att dörren är stängd
			Kontrollera om dörrens och lådornas tätningar är skadade
	Kontakta en auktoriserad tekniker		
	Isbildning i förångaren	Starta en manuell avfrostningscykel	

HOSHIZAKI

Advance 70-140



V. DEMONTERING OCH BYTE

BYTE DEN INRE GLÖDLAMPAN

- Stäng av strömmen till huvudströmbrytaren eller dra ut skåpets kontakt ur uttaget.
- Öppna dörren.
- Ta bort skruven som håller höljet på plats och lyft bort höljet.
- Kontrollera att den nya glödlampan har samma klassificering som den gamla. Spänning och wattal finns tryckta på lampan.
- Ta bort och byt ut glödlampan.

KASSERING AV SKÅPET

- Kylgasen som finns i skåpet anges på typskylten.
- Skåpet är tillverkat av återvinningsbart material i enlighet med EU:s bestämmelser. Därför måste skåpet vid slutet av sin ekonomiska livslängd överlämnas till lämplig återvinningsstation för kassering.
- Återvinn inte skåpet som metall- eller hushållsavfall.
- Komprimera inte kylanläggningens kylkrets.

VIKTIGT

Följ lokala lagar och bestämmelser när skåpet kasseras.

HOSHIZAKI

Advance 70-140



Med ensamrätt. Hoshizaki förbehåller sig rätten att ändra funktioner och information i den här handboken.

Kontaktuppgifter

Huvudkontor

Hoshizaki Europe B.V – All other countries in Europe and Africa

TEL: +31 (0)20 6918499

sales@hoshizaki.nl -- <http://hoshizaki-europe.com/>

Filialer

Hoshizaki UK - UK, Ireland

TEL: +44 (0)845 456 05 85

uksales@hoshizaki.co.uk

Hoshizaki Deutschland - Germany, Switzerland, Austria

TEL: +49 (0)5121 697370

vertrieb@hoshizaki.de

Hoshizaki Benelux - Netherlands, Belgium, Luxembourg

TEL: +31 (0)85 0188370

info@hoshizaki.nl

Hoshizaki France - France

TEL: +33 (0)1 48 63 93 80

info@hoshizaki.fr

Hoshizaki Iberia - Spain, Portugal

TEL: +34 (0)93 478 09 52

info@hoshizaki.es

Hoshizaki Denmark - Denmark

TEL: +45 89 88 53 50

salg@hoshizaki.dk

Hoshizaki Norway - Norge

TEL: +47 22 88 17 50

salg@hoshizaki.no

Hoshizaki Sweden - Sverige

TEL: +46 108 84 87 47

OrderSE@hoshizaki.dk

Hoshizaki Italia – Italia

TEL: +39 348 3022156

commerciale@hoshizaki.it

HOSHIZAKI

Advance 70-140



HOSHIZAKI

Advance 70-140



KJØLESKAP OG FRYSESKAP

DRIFTS-, VEDLIKEHOLDS- OG INSTALLASJONSHÅNDBOK



I.	GENERELL INFORMASJON	170
II.	BRUK	173
III.	VEDLIKEHOLDSINSTRUKSJONER	178
IV.	TEKNISK INFORMASJON	181
V.	VEDLIKEHOLDSDIAGNOSE	186
VI.	FJERNING OG UTSKIFTING	187

Kontaktinformasjon:

HOSHIZAKI EUROPE B.V.

Adresse: Burgemeester Stramanweg 101 1101 AA Amsterdam, Nederland

Tlf.: +31 (0)20 691 8499

<http://hoshizaki-europe.com/>



HOSHIZAKI


Advance 70-140



I. GENERELL INFORMASJON

PRODUKTBEKRIVELSESETIKETT

1	Produktnummer
2	Produktbeskrivelse
3	Modell
4	Kjølemiddel (GWP)
5	CO2-ekvivalent
6	IP-beskyttelse
7	Klimaklasse
8	Produksjonsdato
9	Total effekt / strømstyrke / lampeeffekt
10	Spenning – frekvens
11	Varmeelement
12	Systemtrykk
13	Blåsemiddel
14	Serienummer

PRODUCT NUMBER	1
	
PRODUCT DESCRIPTION	2
MODEL	3
REFRIGERANT	4
CO2 EQUIVALENT	5
IP PROTECTION	6
CLIMATE CLASS	7
PRODUCTION DATE	8
TOTAL POWER / CURRENT / LAMP POWER	9
VOLTAGE - FREQUENCY	10
HEATING ELEMENT	11
SYSTEM PRESSURE	12
BLOWING AGENT	13

S/N: 14



HOSHIZAKI EUROPE B.V. Burgemeester Stramanweg 101 1101 AA
Amsterdam, The Netherlands



BRUKSFORMÅL

- Dette skapet er kun egnet til innendørs bruk og kun til oppbevaring av mat og drikke. Oppbevaringsenhetene er konstruert for produkter som allerede har kjøle-/frysetemperatur.
- Produsenten kan ikke holdes ansvarlig for skader oppstått etter bruk som strider med retningslinjene i denne veiledningen.
- Maten må aldri komme i kontakt med skapets innvendige vegger.
- All mat skal dekkes fullstendig. All mat skal pakkes eller oppbevares i lukkede beholdere for å unngå forurensning og korrosjon på innvendige komponenter.
- Varm mat eller væske skal ikke oppbevares i skapet.
- Drikke i bokser og glassflasker bør ikke oppbevares ved temperaturer under 0 °C (frysepunktet). Bokser og glassflasker kan sprekke fordi de utvides. Beholdere med lokk skal ikke fylles helt: det skal være plass til utvidelse.
- Skapet er utstyrt med automatisk avriming. Manuell avriming er også mulig. Manuell avriming kan foretas via kontrolleren, og skapet trenger ikke være avslått i lang tid. Det må aldri brukes makt eller håndverktøy til å avrime skapet. Skader forårsaket av dette er vanskelige å reparere.
- Bruk ikke mekaniske eller andre avrimingsmetoder.
- Produktet skal ikke brukes av personer (inkludert barn) med nedsatte fysiske, sensoriske eller mentale evner, eller med manglende erfaring og kunnskap, med mindre de er under tilsyn eller instrueres.
- Barn må være under tilsyn slik at de ikke leker med produktet.
- Rengjøring og brukervedlikehold skal ikke utføres av barn uten tilsyn.
- Produktet kan brukes av barn fra åtte år og eldre og personer med nedsatte fysiske, sensoriske eller mentale evner, eller med manglende erfaring og kunnskap, hvis de er under tilsyn eller instrueres i sikker bruk av produktet og forstår hvilke farer dette medfører.

HOSHIZAKI

Advance 70-140



- Ved elektriske eller mekaniske modifikasjoner av skapet vil garantien ikke lenger være gyldig. Modifikasjoner utført av uautoriserte serviceteknikere og andre endringer enn de som er beskrevet i denne håndboken, vil også annullere garantien. Produsenten påtar seg intet ansvar for skader som skyldes slike modifikasjoner.

KLIMAKLASSE

Skapet er konstruert for å fungere ved spesifikke omgivelsestemperaturer og fuktighetsnivåer. Disse er spesifisert i klimaklassesystemet. Disse nivåene skal aldri overskrides. Klimaklassen for dette skapet finner du på produktbeskrivelsesetiketten. Kjøleskapet er ikke egnet for bruk ved omgivelsestemperaturer under 16 °C.

Klimaklasse	Omgivelsestemperatur og fuktighet
4	+30 °C med 55 % relativ fuktighet
5	+40 °C med 40 % relativ fuktighet

MOTTAK OG KONTROLL

Dette skapet er pakket i beskyttende emballasjemateriale for frakt. Ved levering skal skapet kontrolleres for transportskader og at du har mottatt produktmodellen du bestilte.

VIKTIG

All bruk som er oppført nedenfor, må overholde alle lokale vedtekter og sikkerhetsforskrifter. Følg alle gjeldende sikkerhetsregler når du bruker skapet.

TRANSPORT

Når skapet løftes med maskiner, må maskinens løftekapasitet verifiseres på forhånd.

VIKTIG

Ved bruk av gaffeltruck til å flytte skapet er det viktig å kontrollere at gaflene plasseres i de riktige åpningene i pallen.

Etter flytting skal skapet plasseres stabilt. Skapet kan tippe over hvis tyngdepunktet ikke ligger i midten av skapet. Når skapet senkes ned med gaffeltruck, skal dette skje sakte og forsiktig.

Hvis et vertikalt skap må transporteres liggende, skal skapet ha vært i stående stilling i minst to timer før det slås på. Det anbefales ikke å transportere vertikale skap liggende, og skader som skyldes slik håndtering dekkes ikke av garantien.

MERK

Anbefalingene på utsiden av transportemballasjen er viktige for brukeren. Følgende anbefalinger bør følges:

- Håndter skapet med forsiktighet.
- Hold skapet tørt.
- Bruk ikke toppen av skapet til oppbevaring.

HOSHIZAKI

Advance 70-140



PAKKE UT

- Fjern kartongen og annet emballasjemateriale.
- Løft skapet for å løsne og fjerne det fra pallen.
- Plasser skapet på ønsket sted slik at det står på basen.
- Se etter synlige skader.
- Emballasjematerialer kan resirkuleres i henhold til lokale forskrifter om resirkulering.
- Kontroller at produktkoden og serienummeret samsvarer med fraktdokumentene.

Vertikale skap

Varemerke			HOSHIZAKI			
Modellnavn			Advance K70	Advance K140	Advance F70	Advance F140
Tiltenkt bruk			Oppbevaring	Oppbevaring	Oppbevaring	Oppbevaring
Kjøletemperatur			X	X		
Frysetemperatur					X	X
Flerbruksskap						
Vertikalt skap			X	X	X	X
Benkeskap						
Parameter	Symbol	Enhet				
Energieffektivitetsklasse	EEC	-	C	C	D	D
Energieffektivitetsindeks	EEL	-	42,41	48,32	67,46	67,44
Energiforbruk per 24 timer	E24h	kWt	1,5	2,54	6,546	9,98
Energiforbruk per år	AEC	kWt	548	926	2389	3642
Nettovolum for rom 1	Vn eller Vn1	liter	415	398	420	398
Nettovolum for rom 2	Vn2	liter	-	398	-	398
Nettovolum for rom 3	Vn3	liter	-	-	-	-
Nettovolum for rom 4	Vn4	liter	-	-	-	-
Nettovolum totalt	VnT	liter	415	797	420	797
Klimaklasse	CC		5	5	5	5
Kjølemiddel			R290	R290	R290	R290
Påfylling		kg	0,058	0,085	0,082	0,105
GWP			3	3	3	3
CO2-ekvivalent		CO2	0,174	0,255	0,246	0,315
Høy belastning: Dette produktet er beregnet for bruk ved omgivelsestemperaturer opptil 40 °C			X	X	X	X
Kontaktinformasjon:	HOSHIZAKI EUROPE B.V.					
	Adresse: Burgemeester Stramanweg 101 1101 AA Amsterdam, Nederland Tlf.: +31 (0)20 691 84 99 - http://hoshizaki.europe.com/					

HOSHIZAKI

Advance 70-140



II. BRUK

ELEKTRISITET

Før du kobler produktet til elektrisk strøm, må du forsikre deg om at den elektriske strømkilden som er spesifisert i produktbeskrivelsen, tilsvarer den lokale elektriske strømforsyningen.

Produktbeskrivelsesetiketten med angitt elektrisk strømkilde finner du inne i skapet øverst til venstre.

Installasjon av produktet skal kun utføres av kvalifisert og faglært servicepersonell i henhold til spesifikasjonene i denne håndboken.

Den elektriske sikkerheten til skapet er bare gyldig hvis det er jordet i tråd med gjeldende lokale lover og forskrifter.

Produktet må alltid være jordet.

Produsenten påtar seg intet ansvar for skader som skyldes feilaktig jording.

Alle elektriske krav som er fastsatt i lokale elektriske forskrifter, må overholdes. Produktets støpsel og stikkontakt må ha korrekt måling av jordforbindelsen. Kontakt faglært elektriker om nødvendig.

FORELØPIGE GENERELLE KONTROLLER

Kontroller at skapet står på en flat overflate og at det står oppreist. Om nødvendig kan skapet justeres med de justerbare bena. Alle bena skal være i kontakt med gulvet. Dette er nødvendig for at skapdøren skal fungere skikkelig.

Ikke plasser skapet i nærheten av varmegenererende apparater som ovner, griller og frituregryter. Må ikke utsettes for direkte sollys. Varmen som kan utstråles av vegger eller gulv, må isoleres med egnet isolasjonsmateriale. Skapet skal plasseres lengst mulig unna varmekilder.

Hvis skapet flyttes, må du vente i tre timer før du slår det på. Plastemballasje eller tape må fjernes fra utvendige flater.

Pass på at skapet plasseres slik at nok frisk luft kan strømme inn i / ut av kjølekretsen og rundt skapet. La det være minst 500 mm åpen plass over skapet.

Hvis to kjøleskap eller frysescap skal plasseres side om side, bør det være minst 50 mm avstand mellom dem.

Ikke blokker lufteåpningene.

HOSHIZAKI

Advance 70-140



FORELØPIGE ELEKTRISKE KONTROLLER

- Kontroller at nettspenningen og frekvensen til stikkontakten samsvarer med informasjonen på produktbeskrivelsesetiketten.
- Skapet er koblet til en stikkontakt med 13–16 ampere sikring som seriell tilkobling.
- Slå av nettsikringen som er koblet til strømkabelen.
- Kontroller at skapets støpsel er egnet til bruk med det eksisterende strømuttaket, og at de stemmer overens.

FØRSTE GANGS BRUK OG KONTROLLER

Skapet kan tas i bruk når kontrollene over er utført. Skapet slås på og av med PÅ/AV-bryteren.

Kompressoren starter når skapet er slått PÅ. Kompressoren kjører helt til den fabrikkinnstilte temperaturen er nådd. Vent med å sette inn mat i skapet til temperaturinnstillingen er tilpasset maten som skal kjøles ned.

Ny temperaturinnstilling kan gjøres via kontrolleren som beskrevet i denne håndboken.

VIKTIG

- Vent til produktet er avkjølt til den innstilte temperaturen før du legger matvarene i det.
- Overskrid aldri maksimal mengdekapasitet. Maksimal hyllekapasitet er en jevn fordeling av 40 kg hver for hyller i vertikale skap og 20 kg for hyller og skuffer i benkeskap.
- Du finner informasjon om hvor mye plass som kreves for god ventilasjon rundt produktet, i avsnittet «Foreløpige generelle kontroller» i denne håndboken.
- Eksplosive materialer som aerosolbokser med brennbart drivmiddel, må ikke oppbevares i dette produktet.

ADVARSEL

- Skapets lufteåpninger må aldri blokkeres.
- Ikke bruk mekaniske gjenstander eller annet for å øke farten til avisningsprosessen, annet enn med de metodene som produsenten anbefaler.
- Kjølemiddelkretsen må ikke skades.
- Bruk ikke elektriske apparater inne i skapet.

OPPBEVARINGSBETINGELSER OG YTELSE

Korrekte oppbevaringsbetingelser er ikke bare viktige for matvarehygiene og -sikkerhet, men også for å forbedre servicekvaliteten og redusere energiforbruket. Optimal ytelse kan oppnås hvis følgende tips og retningslinjer følges: Matvarer skal bare plasseres i hyllene, og aldri legges nederst i skapet.

Matvarer skal plasseres i skapet ved å sikre god luftstrøm overalt, slik at det er avstand mellom matvarene og skapets innvendige vegger. Hylleavstanden kan justeres om nødvendig.

HOSHIZAKI

Advance 70-140



KONTROLLPANEL



Kontrollpanelet har følgende kontroller og funksjoner:

1. INNSTILLING-knapp
 - Brukes til å angi/justere inngangsverdier
2. PÅ/AV-knapp
 - Holdes inne i fire sekunder for å slå skapet på eller av
3. NED-knapp
 - Brukes til å bla nedover i menyen eller endre/reducere verdien
4. OPP-knapp
 - Brukes til å bla oppover i menyen eller endre/øke verdien
 - Holdes inne i fire sekunder for å starte MANUELL AVRIMING

FUNKSJONER PÅ FRONTPANELET

Kontrollpanelet kan låses og låses opp.

Låse kontrollene:

- Kontroller at ingen prosedyrer pågår
- Skal ikke brukes på 30 sekunder
- Skjermen viser «LOC» i ett sekund, og tastaturet låses automatisk

Låse opp kontrollene:

- Trykk på en knapp i ett sekund: skjermen viser meldingen «UNL» i ett sekund

TEMPERATURINNSTILLING

1. Sjekk at kontrollpanelet ikke er låst og at ingen prosedyrer pågår.
2. Trykk på INNSTILLING-knappen, så vil * LED-lampen blinke.
3. Juster temperatur med OPP- og NED-pilene.
4. Trykk på INNSTILLING-knappen eller vent i 15 sekunder. * LED-lampen slukkes, og kontrolleren avslutter prosedyren.
5. Det er mulig å avslutte temperaturinnstillingen før prosedyren er fullført.
 - a. Trykk på PÅ/AV-knappen (endringer lagres ikke). Innstillingsverdien kan også angis via SP-parameteren.

HOSHIZAKI

Advance 70-140



TEMPERATURVISNING (som registreres av følere)

1. Sjekk at kontrollpanelet ikke er låst og at ingen prosedyrer pågår.
2. Hold inne NED-pilen i fire sekunder: skjermen viser første tilgjengelige føler.
3. Velg riktig føler med OPP- og NED-pilene.
4. Trykk på INNSTILLING-knappen.

Tabellen viser kodene for hver føler.

Kode	Vist temperatur
Pb1	Temperatur i skap
Pb2	Temperatur i fordampner

Du kan avslutte prosedyren ved å holde inne INNSTILLING-knappen i 60 sekunder, eller du kan vente i 60 sekunder. Trykk deretter på PÅ/AV-knappen.

Merk: Hvis fordampneren ikke er utstyrt med føler, vises ikke koden Pb2.

TEMPERATURALARMER

Dette er en oversikt over alarmer for dette skapet.

KODE	TYPE ALARM	KRITISK VERDI
AL	Lav temperatur	Lav temperatur i skapet
AH	Høy temperatur	Høy temperatur i skapet
Id	Åpen skapdør	Maksimal temperatur i skapet

Alarmer kan bare vises når skapet er slått på.

Når alarmårsaken ikke lenger er til stede, fortsetter skapet med normal drift.

TILGANG TIL ALARMHISTORIKK

1. Hold inne NED-knappen i to sekunder for å vise første kode
2. Trykk på og slipp OPP-knappen, eller velg LS ved å trykke på NED-knappen
3. Trykk på og slipp INNSTILLING-knappen: én av kodene over vises

Du velger en alarm ved å holde inne OPP-knappen inntil AH vises.

Du kan vise alarminformasjon ved å trykke på og slippe INNSTILLING-knappen (HACCP LED-lampen slutter å blinke).

TEKST PÅ SKJERMEN

8.0	Kritiske verdier på 8,0 °C
Dur	Skjermen viser alarmtiden
h01	1 times alarm (kontinuerlig)
n15	1 time og 15 minutters alarm
AH	Valgt alarm

Avslutt visning av historikken: Trykk på og slipp PÅ/STANDBY-knappen gjentatte ganger.

HOSHIZAKI

Advance 70-140



Avslutt prosessen: Trykk på OPP- eller NED-knappen gjentatte ganger helt til skjermen viser skapets temperatur, eller vent i 60 sekunder uten å trykke på noen av knappene.

Alternativ metode for å avslutte: Trykk på og slipp PÅ/STANDBY-knappen. LS-koden vises ikke hvis det ikke er registrert noen alarmer.

FEILKODER

Kode	Beskrivelse
Pr1	Feil på føler i skap
Pr2	Feil på føler i fordamper

Korrigerings av disse feilene kan bare foretas av kvalifisert teknisk personell.

DRIFTSSTATUSER

Tilgjengelige driftsstatuser vises nedenfor:

Status	Beskrivelse
PÅ	Skapet er tilkoblet strøm og er slått på
STANDBY	Skapet er tilkoblet strøm, men er slått av
AV	Skapet er ikke tilkoblet strøm, støpselet står ikke i stikkontakten eller skillebryteren er slått av

VIKTIG

Det skal ikke utføres vedlikehold eller reparasjoner når skapet er slått på eller i standby-modus. Arbeid kan bare utføres når all strøm er koblet fra skapet.

HOSHIZAKI

Advance 70-140



III. VEDLIKEHOLDSINSTRUKSJONER

Denne delen er beregnet spesielt for eieren/brukeren av produktet. Den gir viktig informasjon om korrekt bruk og hvordan du sikrer maksimal levetid for produktet.

Vi anbefaler at teknisk service utføres av kvalifisert, faglært personell på grunn av mekaniske og elektriske farer.

Noen få enkle trinn under bruk og justering kan redusere behovet for dyre reparasjoner av serviceteknikere. Disse trinnene krever ikke spesiell teknisk kunnskap.

VIKTIG

ADVARSEL: Produktet må kobles fra strømforsyningen under rengjøring eller vedlikehold og når du bytter ut deler. Støpselet skal kunne trekkes ut slik at operatøren kan se fra alle tilgjengelige steder at støpselet fortsatt er ute.

Før rengjøring og vedlikehold av produktet må du være helt sikker på at strømforsyningen er slått av og ikke ved en feiltakelse kan kobles til igjen av noen andre.

MERK

Ikke vask produktet med høytrykksvann. Unngå at det kan sprute vann på elektriske komponenter.

RENGJØRING

- Det anbefales å rengjøre skapet innvendig jevnlig med et desinfiserende vaskemiddel. Skapet skal rengjøres innvendig med varmt og mildt såpevann.
- Kun pH-nøytrale eller svakt alkaliske vaskemidler kan brukes til å rengjøre skapet innvendig og utvendig.
- Skader forårsaket av vaskemidler med kjemikalier som kan skade rustfritt stål, dekkes ikke av garantien.
- Bruk aldri metallverktøy, skrubbesvamper av metall, skurekremer eller skurepulver.
- Smuss kan fjernes med en fuktig klut.
- Skapets lufferister skal til enhver tid holdes rene.
- Hyller kan fjernes for enkel rengjøring.
- Pass på at hyllerillene og selve hyllene er grundig rengjort.

VIKTIG

Produktet er laget av rustfritt stål. Rustfritt stål korroderer ikke når det brukes under normale forhold, men korrosjon vil oppstå ved bruk av slipende vaskemidler.

RUTINEMESSIG VEDLIKEHOLD

KONDENSATOR

Det er veldig viktig at kondensatoren har maksimal varmeoverføring. Derfor bør kondensatorens overflate alltid være ren og ryddig. På grunn av viften vil det samle seg støv på og inni kondensatorribbene. Kondensatoren kan rengjøres med en støvsuger med børste.

Vær spesielt forsiktig så du ikke skader kondensatorribbene eller viftebladene.

HOSHIZAKI

Advance 70-140



Ved bruk av filter må filteret tas ut for å rengjøre det, og deretter skal det settes tilbake på plass. Bytt filteret hvis det er ødelagt eller for skittent til å rengjøres ordentlig.

PAKNINGER TIL DØR/SKUFF

Pakninger i god stand vil forhindre at det kommer fuktighet og varm luft inn i skapet, og vil derfor sikre en mer lønnsom drift.

STRØMKABEL

Hvis strømledningen er skadet, må den skiftes ut av produsenten, serviceverkstedet eller lignende kvalifisert personell for å unngå fare.

FORBEREDELSE TIL LANGE PERIODER UTEN BRUK

- Slå av strømmen med skillebryteren, eller trekk ut støpselet fra stikkontakten.
- Fjern alle matvarer fra skapet.
- Rengjør skapet (se avsnittet om rengjøring).
- Fjern støv og skitt som er samlet i kompressoren.
- La døren stå litt på gløtt for å unngå vond lukt.

MERK

Husk at det kan dryppe tint vann fra skapet og ned på gulvet når du kobler fra produktet. Dette kan skade gulvet og gjøre det ekstra glatt.

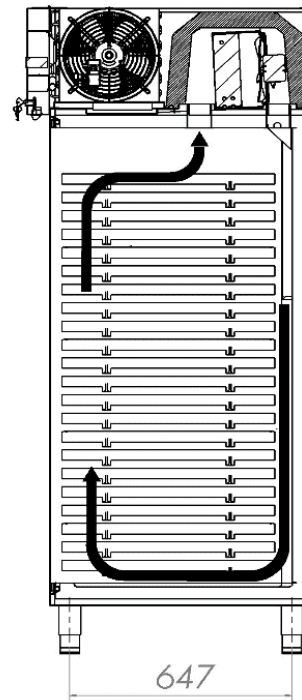
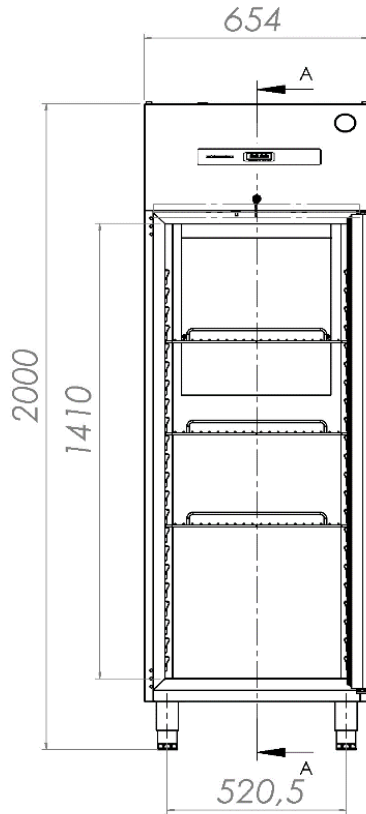
HOSHIZAKI

Advance 70-140

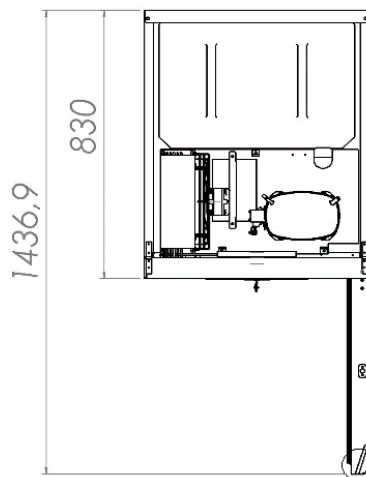


IV. TEKNISK INFORMASJON

DIMENSJONENE TIL ADVANCE K70 & ADVANCE F70



SECTION A-A

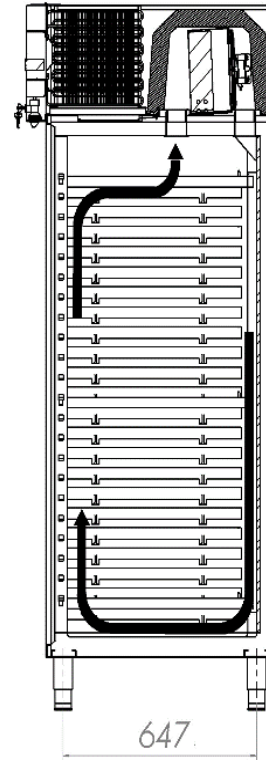
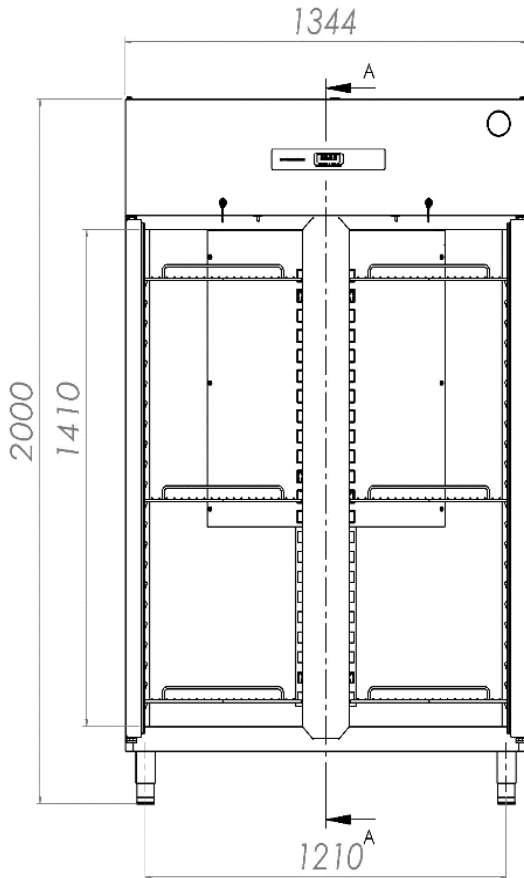


HOSHIZAKI

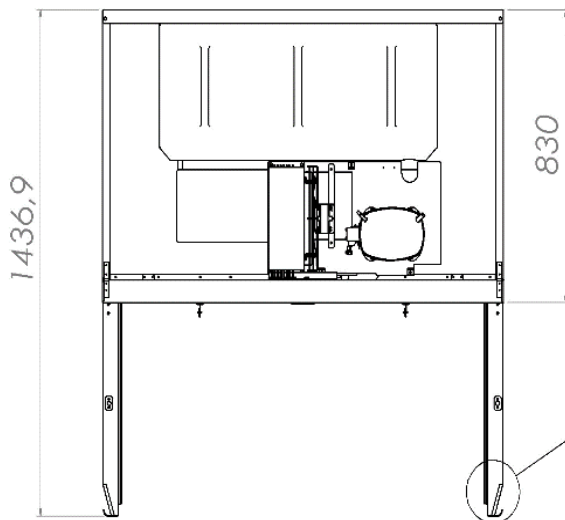
Advance 70-140



ADVANCE F140



SECTION A-A

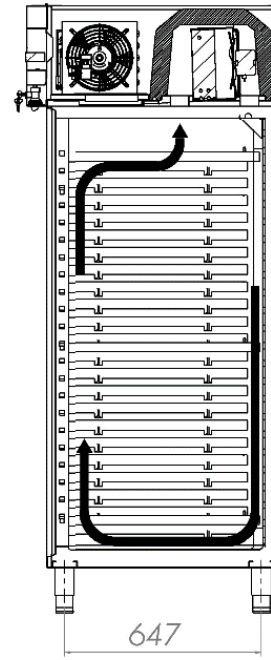
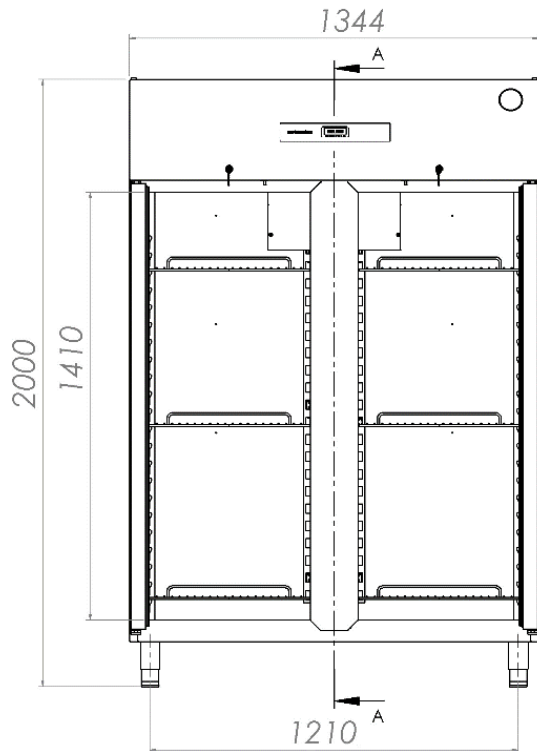


HOSHIZAKI

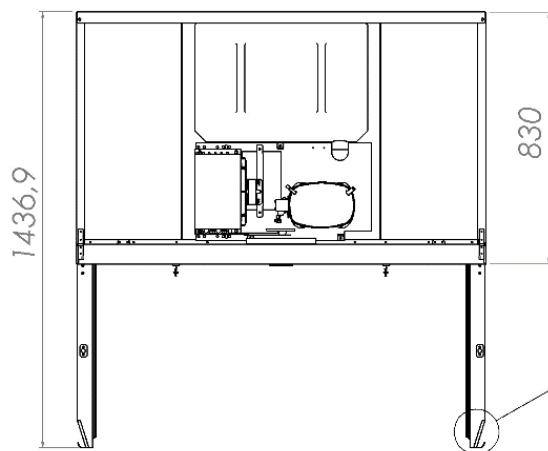
Advance 70-140



ADVANCE K140



SECTION A-A

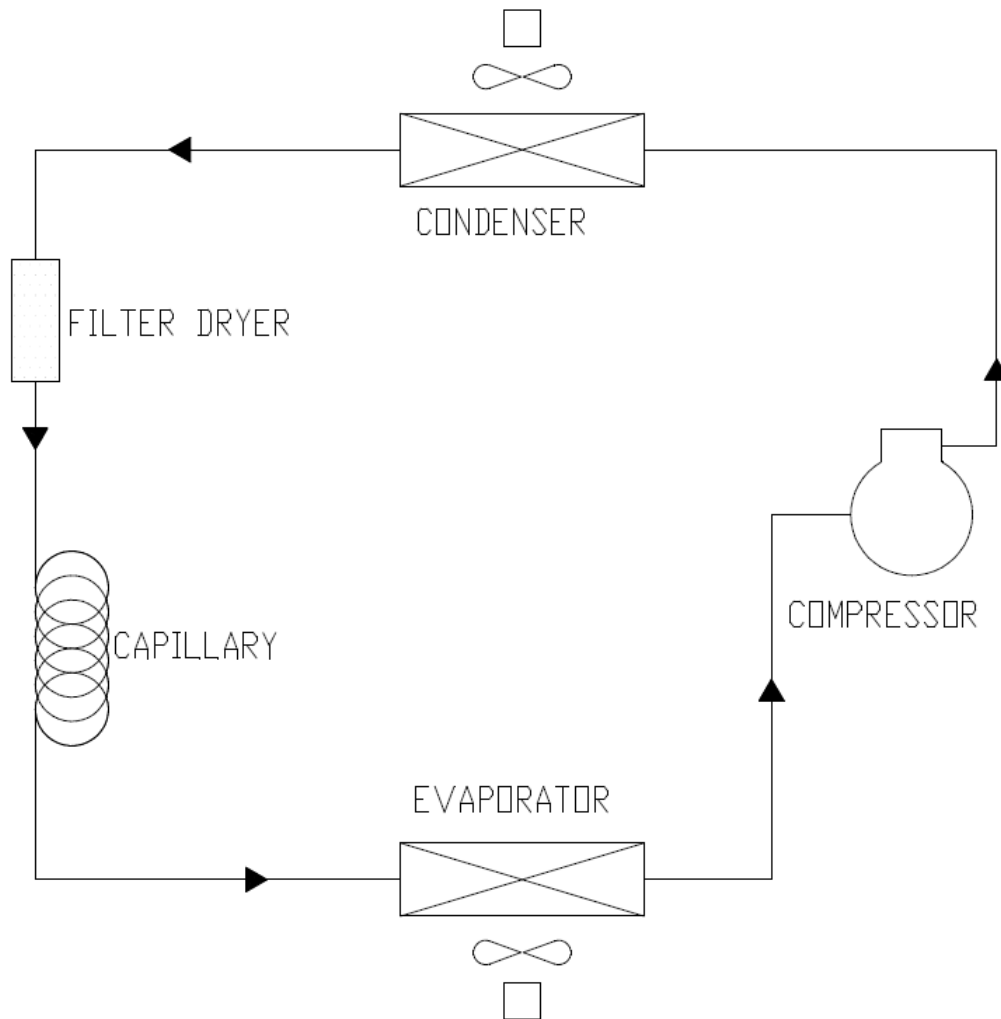


HOSHIZAKI

Advance 70-140



STANDARD KJØLESYSTEM



- 1 Kompressor (Compressor)
- 2 Kondensator (Condenser)
- 3 Filtørtørker (Filter Dryer)
- 4 Kapillarrør (Capillary)
- 5 Fordamper (Evaporator)

HOSHIZAKI

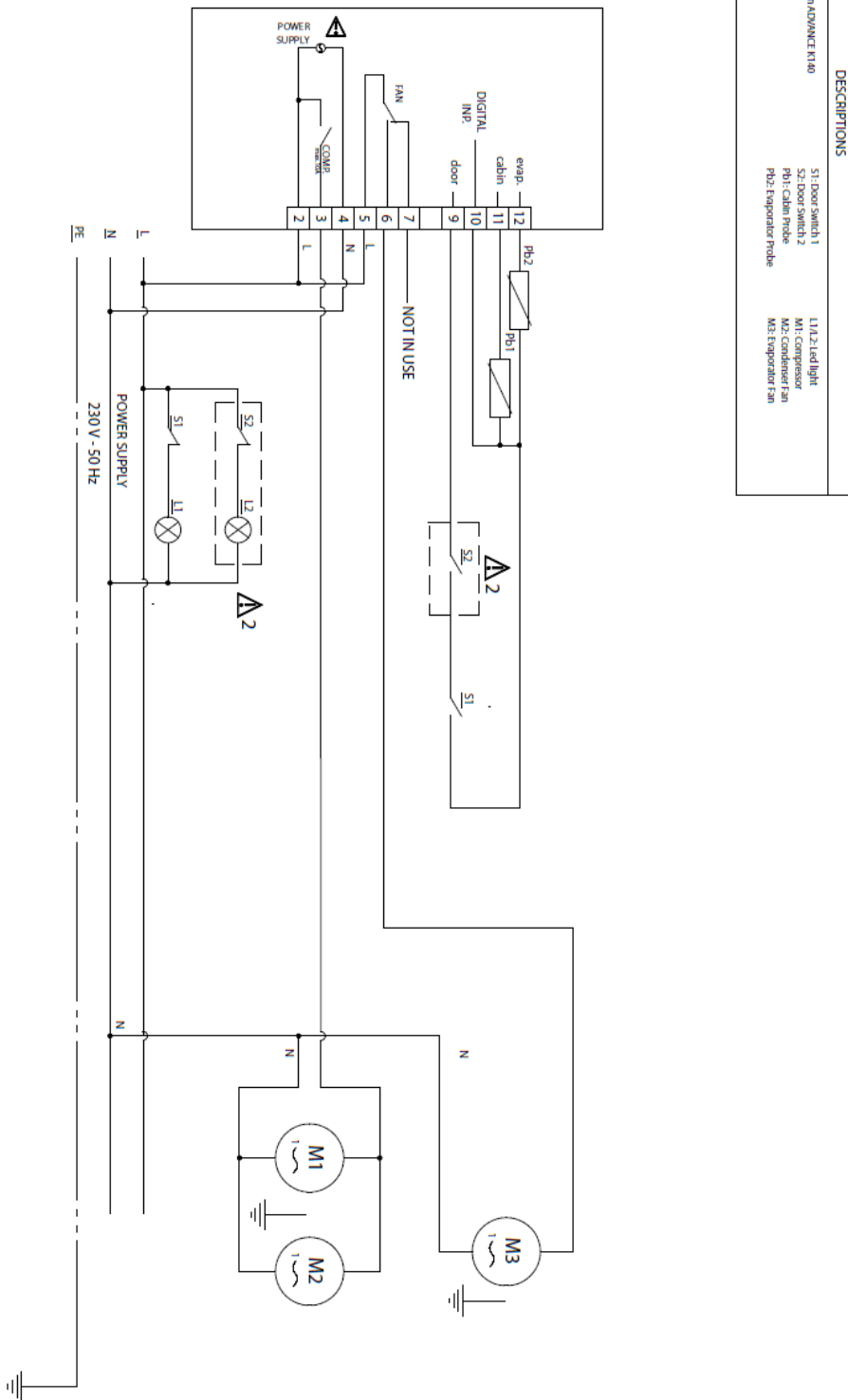
Advance 70-140



KOBLINGSSKJEMA FOR ADVANCE K70 / ADVANCE K140

ADVANCE K70 / ADVANCE K140 MODELS WIRING DIAGRAM

EVCO EV3B22N7VXW Model Digital Thermostat



DESCRIPTIONS

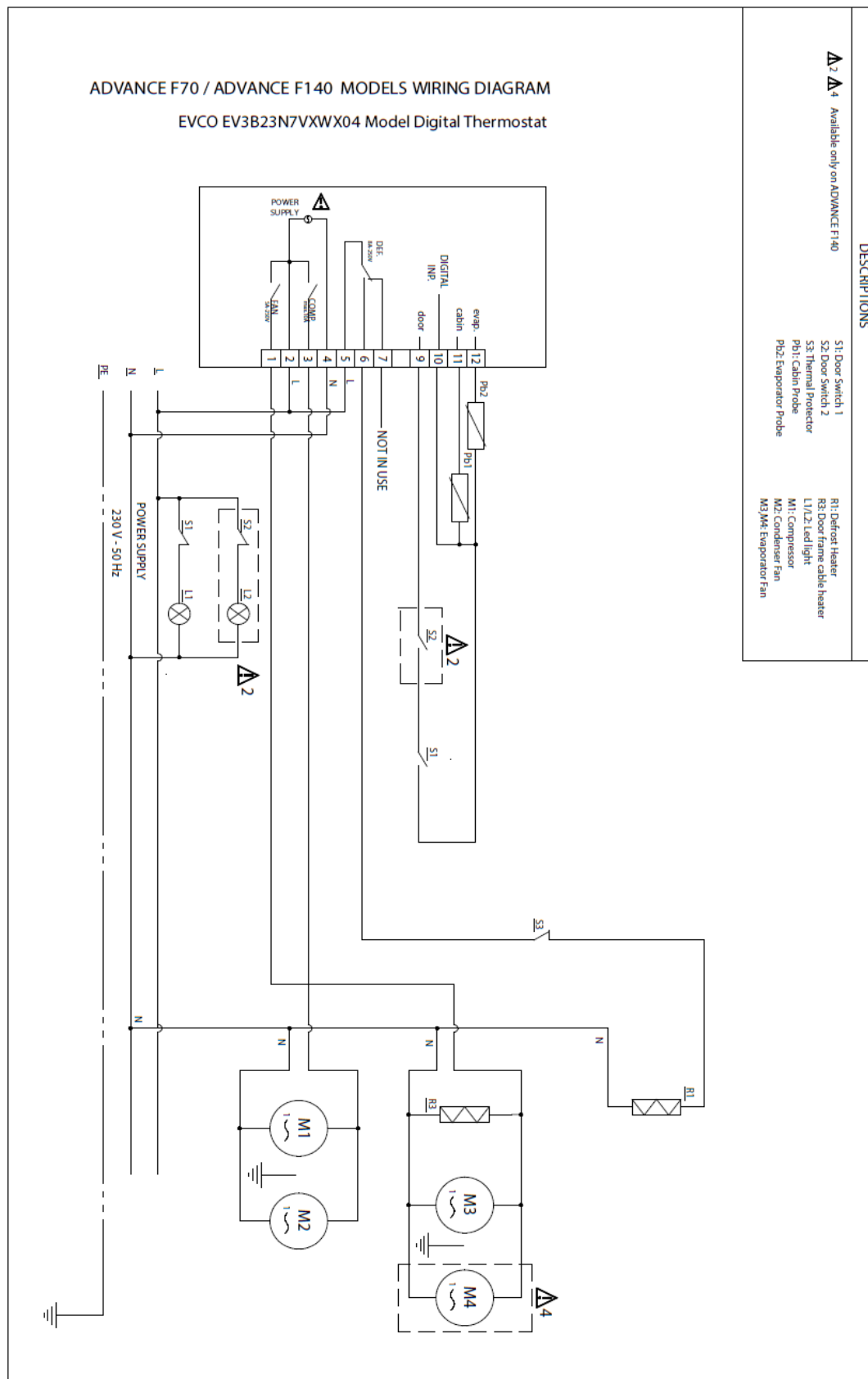
- ▲ Available only on ADVANCE K140
- S1: Door switch 1
 - S2: Door switch 2
 - Pb1: Cabin probe
 - Pb2: Evaporator Probe
 - L1/L2: Led light
 - M1: Compressor
 - M2: Evaporator fan
 - M3: Evaporator fan

HOSHIZAKI

Advance 70-140



KOBLINGSSKJEMA FOR ADVANCE F70 / ADVANCE F140



HOSHIZAKI

Advance 70-140



V. VEDLIKEHOLDSDIAGNOSE

Tabellen nedenfor viser forskjellige problemer du kan støte på. Hvis en alarmkode vises, har det oppstått en funksjonsfeil. Korriger mulige årsaker før du tilbakestill skapet. Mulige årsaker og løsninger står oppført nedenfor.

Hvis en feilkode vedvarer etter at du har utført kontrollene nedenfor, kontakter du en kvalifisert tekniker. Feilmeldingens innhold må fastsettes. Produktdetaljer, inkludert serienummer, finner du på produktets typeskilt.

PROBLEM	MULIG ÅRSAK	LØSNING	
Skapet fungerer ikke	Skapet får ikke strøm	Sjekk om støpselet og ledningen er uten feil	
Kompressoren stopper sjelden	Omgivelsestemperaturen er for høy	Ventilasjonen må forbedres	
	Kondensatoren eller kondensatorfilteret er blokkert	Kontroller og rengjør kondensatorfilteret regelmessig	
	Lav kjølevæsketilførsel	Ring autorisert tekniker for å reparere lekkasjen	
	Dørpakninger tetter ikke ordentlig	Ring autorisert tekniker for å skifte pakningen	
	Rim på fordamperen		Legg ikke varme matvarer i skapet
			Legg ikke matvarer med høyt vanninnhold i skapet med mindre de oppbevares i lukkede beholdere
Start manuell avrimingssyklus			
	Fordampervifte(r) fungerer ikke	Ring autorisert tekniker for å bytte viften(e)	
Vann som renner over fra kondensvannbrettet	Hyppig plassering av varme matvarer i skapet	Legg ikke varme matvarer i skapet	
		Plasser bare mat med høyt vanninnhold i lukkede beholdere i skapet	
	Hyppig åpning av dør eller skuffer	Kontroller om skapets spesifikasjoner er egnet for nåværende bruk	
For høy temperatur i skap	Kondensatoren er blokkert av smuss og støv	Kontroller og rengjør kondensatorfilteret regelmessig	
	Luftstrømmen i skapet er blokkert	Fjern matvarer som hindrer fri luftstrøm	
	Omgivelsesluft slipper inn i skapet		Sjekk at døren er lukket
			Se om det er skader på dør- og skuffepakninger
			Kontakt autorisert tekniker
Rim på fordamperen	Start manuell avrimingssyklus		

HOSHIZAKI

Advance 70-140



VI. FJERNING OG UTSKIFTING

BYTTE INNVENDIG LYSPÆRE

- Slå av strømmen med skillebryteren, eller trekk ut støpselet fra stikkontakten.
- Åpne døren.
- Fjern skruen som fester dekselet, og løft deretter opp dekselet.
- Pass på at den nye lyspæren har samme effekt som den gamle. Spenning og watt står trykt på lyspæren.
- Ta ut og bytt lyspæren.

KASTE SKAPET

- Kjølemediet i skapet kan identifiseres fra typeskiltet.
- Skapet er produsert av resirkulerbare materialer i samsvar med EUs regelverk. Mot slutten av levetiden må derfor skapet fraktes til egnet resirkuleringsanlegg, og kastes der.
- Skapet skal ikke resirkuleres som metall eller husholdningsavfall.
- Unngå klemme sammen kjølekretsen.

VIKTIG

Følg lokale lover og forskrifter når du kaster skapet.

HOSHIZAKI

Advance



Med enerett. Hoshizaki forbeholder seg retten til å endre funksjoner og informasjon i denne håndboken

Kontaktinformasjon

Hovedkontorer

Hoshizaki Europe B.V – All other countries in Europe and Africa

TEL: +31 (0)20 6918499

sales@hoshizaki.nl -- <http://hoshizaki-europe.com/>

Avdelinger

Hoshizaki UK - UK, Ireland

TEL: +44 (0)845 456 05 85

uksales@hoshizaki.co.uk

Hoshizaki Deutschland - Germany, Switzerland, Austria

TEL: +49 (0)5121 697370

vertrieb@hoshizaki.de

Hoshizaki Benelux - Netherlands, Belgium, Luxembourg

TEL: +31 (0)85 0188370

info@hoshizaki.nl

Hoshizaki France - France

TEL: +33 (0)1 48 63 93 80

info@hoshizaki.fr

Hoshizaki Iberia - Spain, Portugal

TEL: +34 (0)93 478 09 52

info@hoshizaki.es

Hoshizaki Denmark - Denmark

TEL: +45 89 88 53 50

salg@hoshizaki.dk

Hoshizaki Norway - Norge

TEL: +47 22 88 17 50

salg@hoshizaki.no

Hoshizaki Sweden - Sverige

TEL: +46 108 84 87 47

OrderSE@hoshizaki.dk

Hoshizaki Italia – Italia

TEL: +39 348 3022156

commerciale@hoshizaki.it