



HOSHIZAKI

Baker M 550 L DR Refrigerator



PRODUCT SERIES: BAKER 550
ITEM NUMBER: 142551010
COUNTRY OF ORIGIN: TURKEY

Hoshizaki BAKER M 550 L DR is a storage refrigerator for tray slides 400 x 600mm. It has a net usable volume of 335 ltr and a cabinet height of 2080-2130 mm. Legs are adjustable 130-180 mm.

- Air circulation system
- Automatic fan cut out switch
- Automatic defrost with re-evaporation of defrost water
- Heavy duty cabinet and compressor compartment construction
- Climate class 5 cooling system enduring up to +40°C ambient temperature
- Dry cooling function
- Exterior and interior of stainless steel AISI 304
- Reversible and self closing door with lock
- Removable magnetic door gaskets with triple insulation area
- LED lighting
- 25 sets of bakery tray supports
- Pan-shaped inside base with rounded corners to catch fluids
- Pedal door opener with overload protection
- IP21 water protection

ACCESSORIES INCLUDED

25 sets of bakery tray supports

OPTIONAL EXTRAS

Set of legs 130-180 mm

Set of castors Ø100 mm

Grey shelf with back upstand

Stainless shelf with back upstand

Set (4 of) of stainless shelves with back upstand

Set of wall rails (4 of) and tray supports (4 of) to allow for up to 27 bakery trays

Shelf supports (2 of)

Master key

WARRANTY PERIOD

**6 Years on Parts & Labour -
based on country agreement**

EXTERIOR

Stainless steel AISI 304

INTERIOR

Stainless steel AISI 304

Refrigerant type: R600a / GWP: 3 GWP / Refrigerant: 0.08 kg / CO2 equivalent: 0.24 kg

Energy consumption	Energy efficiency class	Energy efficiency class standard	Energy Efficiency Index (EEI)
396 kWh/year	B	ISO 22041: 2019	34.18 EEI

CERTIFICATIONS





HOSHIZAKI

Baker M 550 L DR

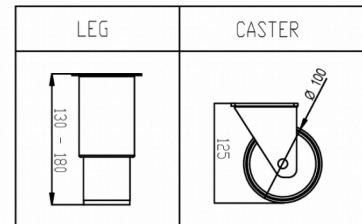
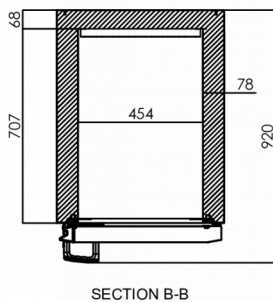
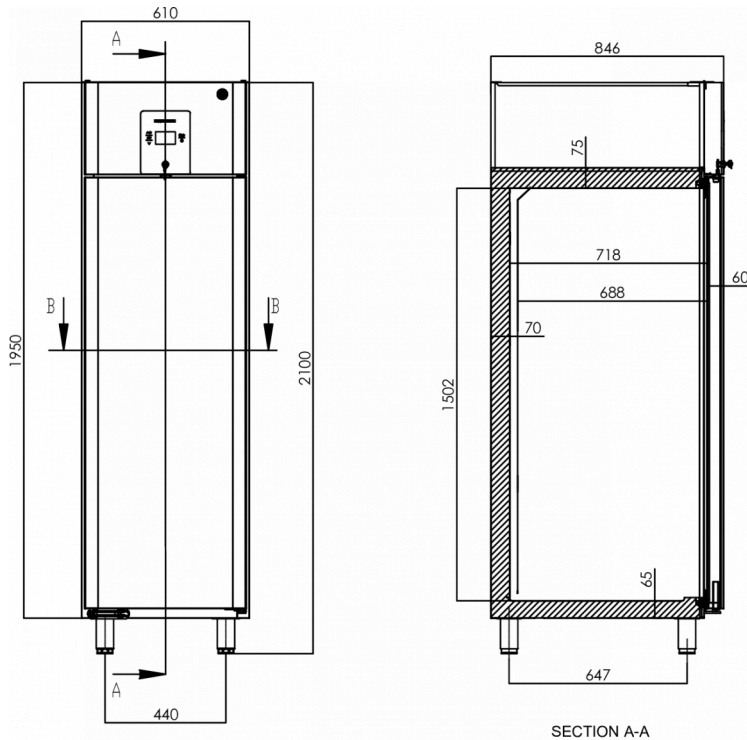
TECHNICAL SPECIFICATIONS

Bakery tray size (mm)	Temperature range	Volume, gross	Net usable volume	Power supply	Connection load	Climate class	Sound level	Ref. capacity (at -10°C)
400 x 600	-5/+12°C	480 l	335 l	230V, 50Hz	120 W	5 (max. ambient 40°C w/ 40% RH)	46 dB	206 W

SHIPPING SPECIFICATIONS

Width (packed)	Depth (packed)	Height (packed)	Volume (packed)	Gross weight	Width	Depth	Height	Height including legs (minimum)	Height including legs (maximum)	Net weight
700 mm	940 mm	2,190 mm	1.44 m ³	140 kg	610 mm	846 mm	1,950 mm	2,080 mm	2,130 mm	124 kg

Disclaimer: Every effort has been made to ensure that the information contained in this spec sheet is accurate at the time of publishing. Hoshizaki Europe BV assumes no responsibility or liability for typographical errors or omissions or for any misinterpretation of the information within the publication and reserves the right to change without notice.



Hoshizaki Belgium info@hoshizaki.nl
Hoshizaki Danmark info@hoshizaki.dk
Hoshizaki Deutschland vertrieb@hoshizaki.de
Hoshizaki France info@hoshizaki.fr
Hoshizaki Iberia info@hoshizaki.es
Hoshizaki Italia commerciale@hoshizaki.it
Hoshizaki Middle East sales.ex@hoshizaki-europe.com

Hoshizaki Netherlands info@hoshizaki.nl
Hoshizaki Norge salg@hoshizaki.no
Hoshizaki Sverige orderSE@hoshizaki.dk
Hoshizaki UK uksales@hoshizaki.uk
Export countries sales.ex@hoshizaki-europe.com
Other countries sales.ex@hoshizaki-europe.com

www.hoshizaki-europe.com