



HOSHIZAKI

IM-65NE-HC-LM103

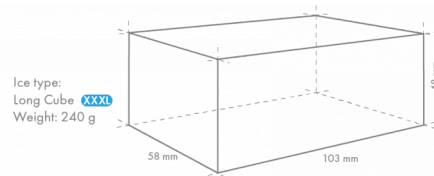
Long Cube Ice Maker, Self Contained

Production Capacity (kg/24h) - AT 10°C, WT 10°C: 39

Storage bin capacity: 26 kg



ICE TYPE: XXXL Cube - LM103



ACCESSORIES INCLUDED

Installation kit, Legs, Scoop

OPTIONAL EXTRAS

4HC-H water filtration

CORRESPONDING WATER FILTERS

4HC-H Single Water Filter, 4HC Replacement Cartridge

PRODUCT SERIES: SPECIAL ICEMAKERS

ITEM NUMBER: M066-D010

COUNTRY OF ORIGIN: UK

Hoshizaki IM-65NE-HC-LM103 is a self-contained ice maker producing up to 39 kg of cube ice per 24 hours.

Ice cube dimensions and weight - disclaimer: The drawing is for illustration purposes only. Cube size and weight may be differ due to local installation conditions.

- Ice making system with an automatic rinse cycle
- Each ice cycle is made with fresh water
- Closed Cell System helps produce compact, hard and geometrically perfect ice
- Closed water circuit for contamination protection
- Electronic controller
- System comes with a magnetic water pump that has no direct coupling, which prevents any leakage
- Cleanable air filter
- Removable door gasket

WARRANTY PERIOD

2 Years on Parts & Labour - based on country agreement

EXTERIOR

Stainless steel AISI 441, Galvanized steel (Rear)

Refrigerant type: R290 / Refrigerant: 0.105 kg / CO2 equivalent: 0.315 kg

OPERATING CONDITIONS

Ambient temperature (minimum): 1 °C, Ambient temperature (maximum): 40 °C, Water supply pressure (minimum): 0,07MPa (0,7bar), Water supply pressure (maximum): 0.8MPa (8bar), Water supply temperature (minimum): 5 °C, Water supply temperature (maximum): 35 °C, Voltage range (Rated Voltage): ±6%

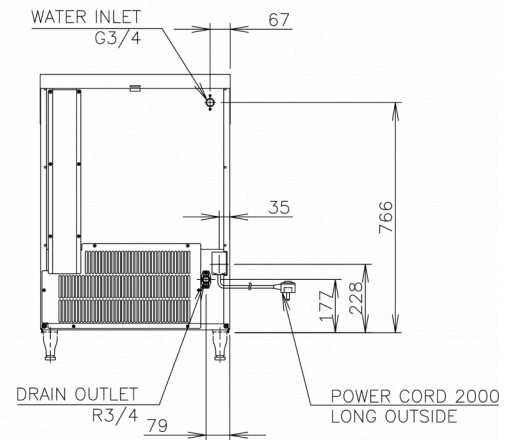
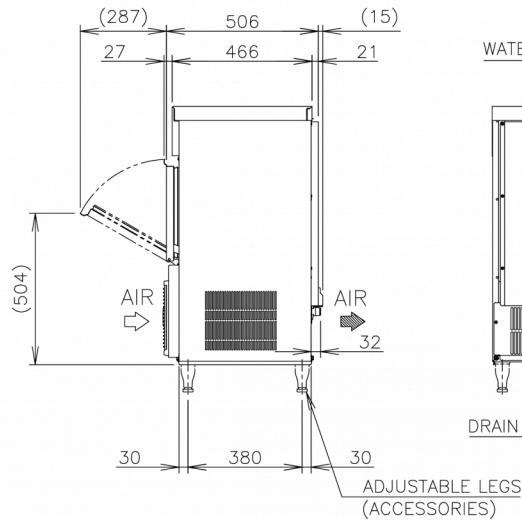
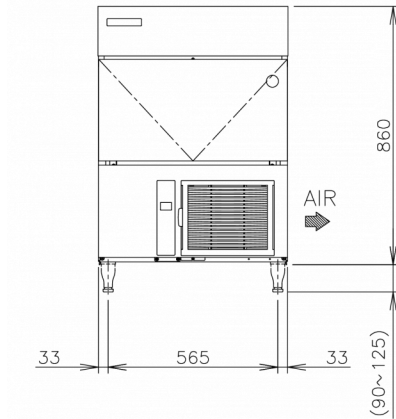
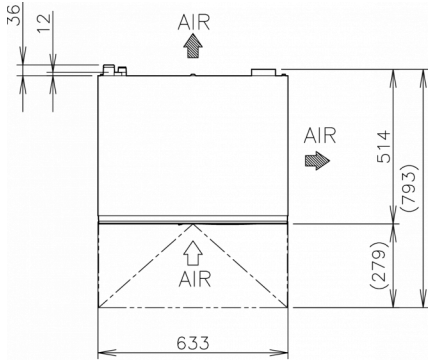
CERTIFICATIONS





HOSHIZAKI

IM-65NE-HC-LM103



TECHNICAL SPECIFICATIONS

Cooling system	Power supply	Energy consumption	Electrical circuit breaker protection	Heat Rejection (AT 32°C, WT 21°C)	Production Capacity (kg/24h) - AT 10°C, WT 10°C	Production Capacity (kg/24h) - AT 21°C, WT 15°C	Production Capacity (kg/24h) - AT 32°C, WT 21°C	Water consumption (m3/24h) - AT 10°C, WT 10°C
Air Cooled	1/220 - 240V/50Hz	0.32 kWh	5 A	0.815 kW	39	32	25	0.81

SHIPPING SPECIFICATIONS

Width (packed)	Depth (packed)	Height (packed)	Volume (packed)	Volume, gross	Gross weight	Width	Depth	Height	Dimensions legs	Net weight
735 mm	570 mm	1,012 mm	0.424 m3	0.424 l	61 kg	633 mm	506 mm	860 mm	for legs add 90-125 mm	51 kg

Disclaimer: Every effort has been made to ensure that the information contained in this spec sheet is accurate at the time of publishing. Hoshizaki Europe BV assumes no responsibility or liability for typographical errors or omissions or for any misinterpretation of the information within the publication and reserves the right to change without notice.

Please observe: This type of icemaker is on special order only. Please take longer lead times into consideration.



Hoshizaki Belgium
Hoshizaki Danmark
Hoshizaki Deutschland
Hoshizaki France
Hoshizaki Iberia
Hoshizaki Italia
Hoshizaki Middle East

info@hoshizaki.nl
info@hoshizaki.dk
vertrieb@hoshizaki.de
info@hoshizaki.fr
info@hoshizaki.es
commerciale@hoshizaki.it
sales.ex@hoshizaki-europe.com

Hoshizaki Netherlands info@hoshizaki.nl
Hoshizaki Norge salg@hoshizaki.no
Hoshizaki Sverige orderSE@hoshizaki.dk
Hoshizaki UK uksales@hoshizaki.uk
Export countries sales.ex@hoshizaki-europe.com
Other countries sales.ex@hoshizaki-europe.com

www.hoshizaki-europe.com